

A FAMILY COMPANY MANUFACTURING IN THE USA SINCE 1969

# Glastender®

## PRICE LIST 2026



GLASSWASHERS | FOODSERVICE FABRICATION AND REFRIGERATION | BEER SYSTEMS

# Terms and Conditions

## Prices:

All prices are LIST. Applicable taxes will be added.

## Quotations:

Unless otherwise stated, quotations are effective for 30 days only.

## Acceptance:

All orders are subject to acceptance by Glastender, Inc.'s headquarters in Saginaw, Michigan. Possession of the Product Directory and Price List is not an offer to sell.

## Shipments:

F.O.B. factory in Saginaw, Michigan. Freight terms are Third Party or Collect if shipped directly to you. Prepay and Add to Invoice freight terms are available upon request. The approximate shipping weights of all products are listed with the prices. Partial shipments will be made unless otherwise specified by the customer. Surface freight classifications are:

- GW24 Glasswashers - Class 175
- GT-18 Glasswashers - Class 175
- All Underbar Equipment - Class 175
- Bar Die Orders – Class 250
- Portable Bars - Class 175
- Remote refrigerators (i.e., no compressor) or dry storage back bar equipment - Class 175
- Self-contained refrigeration equipment - Class 150
- Ice Display Units (IDU and GDU) - Class 175
- Lighted Liquor Displays - Class 175
- Beer line chillers and beer towers (beverage dispensing equipment) - Class 175
- Bottle Disintegration System - Class 150
- Ice Cream Freezers - Class 125

All small items are evaluated to see the most cost effective means for shipment. Many small items ship via UPS or FedEx; however, when dimensional weight is excessive, LTL carriers are the most cost effective choice. Spare parts orders received before 1:00 PM EST can usually be shipped the same day.

The order department is happy to assist with routing or shipping questions.

## Payment Terms:

Cash should be included with all orders unless credit terms have been arranged. To establish credit, banking and trade references are required. A convenient credit application is available upon request. Payment via credit card is not our normal means of receiving payment. Visa and MasterCard will be accepted, but must be charged at the time of shipment. In addition, a payment via credit card for orders totaling more than \$500 will incur a 3% convenience fee on the total transaction amount.

## Delivery:

The majority of equipment is manufactured to order and typically ships within three to six weeks after complete order information is received by the factory. In-stock equipment typically ships within two to three days of the factory receiving complete order information.

## Returns:

Items specified as "Manufactured to Order" are NOT returnable. A Return Authorization number must be issued by the factory in advance for any items that are returnable. The number MUST be noted on the outside of the returned package. Returns must be received within 90 days of the issue date. Shipping charges must be prepaid. A minimum 20% restocking charge will be applied to all authorized returns if received in new, unused condition in the original packaging.

The above conditions apply to spare part returns, except spare part returns must be received within 30 days of original shipment for electronic or electrical parts or within 90 days for all other parts.

## Loss or Damage:

For customer routed shipments, Glastender, Inc. is not responsible for any loss, damage, or delay of merchandise during shipment. Such transit claims must be filed with the carrier. Merchandise must be examined on arrival. If shortages occur, Glastender,

Inc. must be notified in writing within five (5) days of delivery to honor any shortage claim. Glastender will assume responsibility for freight claims on Prepay and Add shipments but the customer must inspect freight and note any damage upon receipt. Failure to do so may result in losses at the customer's expense.

## Custom Orders:

Custom orders must be paid in advance and are not subject to cancellation.

## Laminates:

Some products include common, readily available plastic laminates of the customer's selection. There may be an additional charge if uncommon varieties are ordered.

## Glastender Freight Program

### Program Conditions

Glastender, Inc. equipment pricing includes standard freight costs under the following conditions:

- Equipment order is for a minimum of \$2,500, shipped to a single destination at the same time.
- Freight carrier is selected by Glastender, Inc. and may vary based on destination, transit times, performance history, customer service, or other factors.
- Shipping destination is within the continental United States and Canada. Non-continental or other international destinations are shipped to port of export.
- Combining equipment orders is allowed to reach the minimum order level if combined orders are shipped to the same destination at the same time.
- Equipment order terms of sale are FOB Saginaw MI / Freight Prepaid.
- Equipment returns are not covered.
- Parts orders do not qualify and will be charged shipping accordingly.

### Customer Responsibilities

In addition to the program conditions listed above, the receiving customer must:

- Note all damage on the delivery receipt at the time of delivery.
- Open and inspect any items that look suspicious or raise concern, even if the carrier tells you it is not allowed.
- Refuse only the damaged items and keep the other items on the order.
- When in doubt, sign the delivery receipt as damaged.

The only way to hold the carrier liable is to sign the delivery as damaged.

### Additional Fees

Additional carrier-related services and fees over and above standard freight costs are not covered. Such services and fees will be invoiced at the time of order or after the order has shipped.

Examples of additional fees include the following:

Split shipment .....	Cost difference between single shipment and split shipment
Lift gate .....	\$55 (Only available for items under 96" in total packaged length)
Inside delivery .....	\$100 per pallet/piece
Residential delivery .....	\$100
Limited access site .....	\$100
Expedited delivery .....	Difference from standard rate
Special delivery time .....	Carrier rate
Storage .....	Carrier rate
Re-delivery .....	Carrier rate
Re-consignment .....	Carrier rate
Other additional services not listed...	Carrier rate

### Questions

For questions regarding the Glastender Freight Program, please contact our sales department:

- 989.752.4275 or orders@glastender.com

12/16/2025



# Table of Contents



Bottle Disintegration System ..... 1 - 2

Glasswashers ..... 3 - 6

- GW24 Rotary Glasswasher • GD24HT High Temp Glasswasher • GT-18 Series Rotary Rack Glasswashers

Pass-Thru Cocktail Stations ..... 7 - 12

- Assembly, Disassembly, and Complete Cocktail Stations



**Cocktail  
Prep Cooler**  
page 96

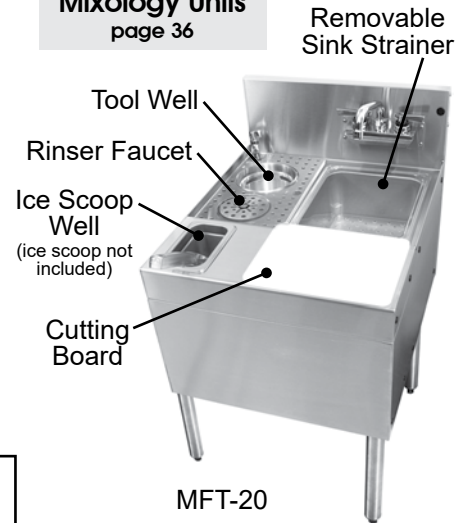
CPC24



**Craft Ice  
Mobile Freezer**  
page 44

FRM-2-C

**Mixology Units**  
page 36



MFT-20



Bar Fabrication - Signature, Elevation, and Choice ..... 13 - 80

- Portable Bars • Ice Bins • Soda Gun Holders • Soda Manifold Housing • Bottle Wells and Racks
- Speed Rails • Blender Stations • Drainboards • Cabinets • Sinks • Drink Rails • Rinser Faucets
- Liquor Steps • Mixology Units, Stations, Wells and Drink Rails • Dry Waste Chutes and Rails
- Ice Cream & Craft Ice Freezers • All-In-One Stations • Tubing Chases • Beer Drainers • Modular Bar Die

Bar Refrigeration ..... 81 - 132

- Bar Profile Coolers • Direct Draw Draft Beverage Towers • Low Profile Coolers • High Profile Coolers
- Cocktail Prep Cooler • Reach-In Freezers • Slide Top Coolers • Slide Top Mug Freezers • Ice Display Units
- Lighted Liquor Displays • Dry Storage Cabinets • Back Bar Glass Storage • Back Bar Liquor Displays

Beverage Dispensing ..... 133 - 156

- Beer Line Chillers • Draft Beverage Towers

Kitchen Fabrication and Refrigeration..... 157 - 163

- Hand Sinks • Drop-In Units • Lettuce Crispers
- Countertop Merchandisers • Wall-Mount Refrigerators • Drop-In Ice Cream Freezers
- Mobile Ice Baths • Specialty Ice Bins • Mobile Ice Bins • Wall Cabinets

Terms and Conditions ..... Inside front cover

Warranty ..... Inside back cover

Index ..... 164 - 165

Spec Sheets ..... specs.glastender.com

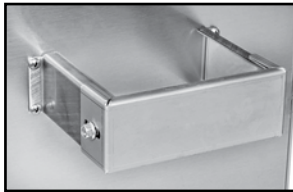
**Bottle Disintegration**

# Increase your cash flow by decreasing your trash flow

Glastender's Bottle Disintegration System reduces the volume of glass bottle waste by as much as 85%, lowering your disposal fees and paying for itself over time. The BDS unit is easy to use and crushes a bottle in mere seconds, while being no louder than a standard blender.

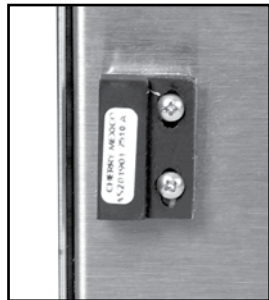


Multi-level baffle system on feed chute for safe operation and glass containment

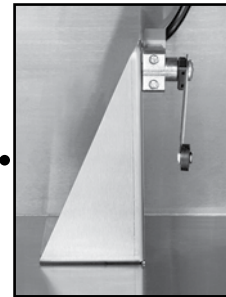


Bucket stop bar ensures bucket is fully seated when door is closed

**Includes safety interlock switches**



Closed door safety sensor prevents operation when front door is open



Bucket seating safety sensor prevents operation when the bucket is not in place

**UP TO**  
**85%**  
**VOLUME REDUCTION**



From this to this

The 4-gallon bucket weighs approximately 43 pounds and holds approximately 4 cases of disintegrated long neck beer bottles when full



BDS

### PRODUCT INFORMATION

(see BDS Spec Sheet for complete details)

#### STANDARD FEATURES:

- Reduces volume of glass bottle waste by as much as 85%
- Disintegrates beer, wine, and liquor bottles up to 4" in diameter and 14" in height
- The 4-gallon bucket holds approximately 43 lbs. when full and is accessible for emptying by opening the front door (two buckets included)
- Compact design fits easily under the bar or in a service station
- It takes mere seconds to crush a bottle and is no louder than a standard blender
- Stainless steel interior and exterior resists corrosion and is easy to keep clean
- Includes safety interlock switches to ensure safe operation. The unit shuts down and a red indicator light is illuminated if the front access door is open or the bucket is not in place.
- Multi-level baffle system on feed chute and gasket seal to maximize glass containment
- Green indicator light identifies when unit is running
- Easy operation - simply turn it on and push a bottle down the feed chute
- Includes locking casters so unit can be easily moved for cleaning



BDS with door open showing access to bucket

### BDS

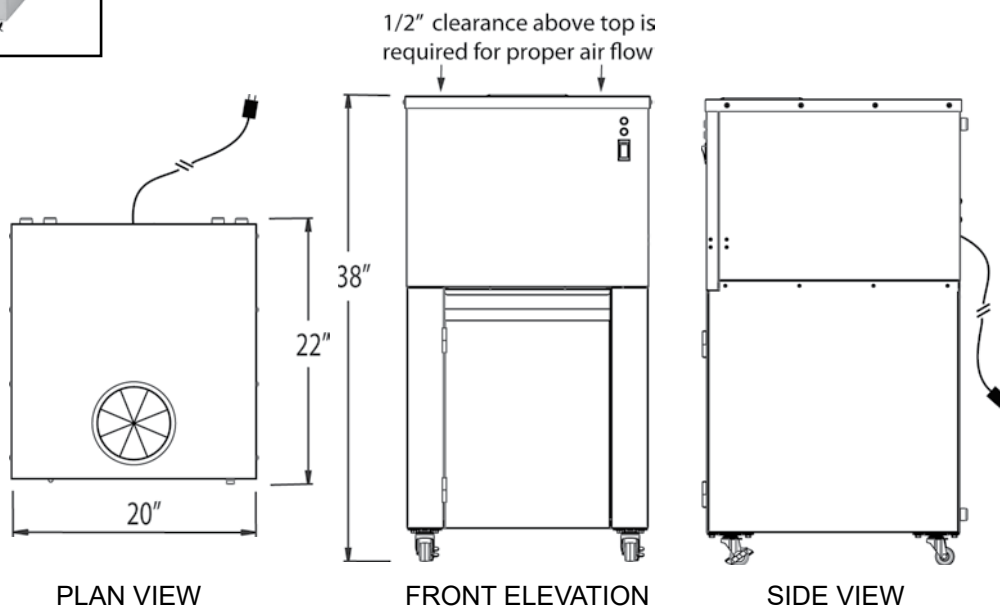
MODEL	LIST	WEIGHT	WIDTH	DEPTH	HEIGHT
BDS	\$8,428	185#	20"	22"	38"

### ACCESSORIES

MODEL	DESCRIPTION	LIST	WEIGHT
CE-BDS	Convert to 220V/50Hz or 220V/60Hz electrical	\$789	185#
14000053	Bucket (additional)	\$48	5#



14000053



PLAN VIEW

FRONT ELEVATION

SIDE VIEW



GW24 shown with chemical bottles (not included)



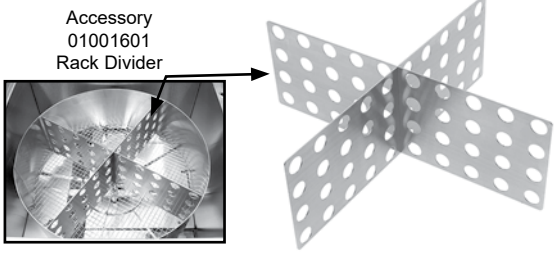
GW24

**PRODUCT INFORMATION**

(see GW24 Spec Sheet for complete details)

**24" ROTARY GLASSWASHER**

MODEL	LIST	WEIGHT	LENGTH	DEPTH
GW24	\$16,689	165#	24"	24"



Accessory 01001601 Rack Divider

**GW24 ACCESSORIES**

MODEL	DESCRIPTION	LIST	WGT
01001500	Slide-out Chemical Bottle Rack	\$870	25#
01001564	Export transformer 220V/50Hz electrical NOTE: Eliminates side notch	\$2,667	30#
CWET-GW	Clip-on wet waste	\$511	10#
01001601	Rack divider, two-piece assembly	\$305	7#
01001602	Backsplash, clip-on	\$223	5#



Accessory 01001500 Chemical Bottle Rack



Accessory 01001602 Backsplash



Accessory 01001564 Export transformer 220V/50Hz electrical



Accessory CWET-GW

Glasswashers



GD24HT



**PRODUCT INFORMATION**  
(see GD24HT Spec Sheet for complete details)

GD24HT HIGH TEMP GLASSWASHER				
MODEL	LIST	WEIGHT	LENGTH	DEPTH
GD24HT	\$21,076	281#	24"	24"

**The GD24HT includes:**

- One (1) peg rack
- One (1) combination rack



01001754

GD24HT ACCESSORIES		
MODEL	DESCRIPTION	LIST
01001754	Drain Water Tempering Kit	\$732

**There are ten different GT-18 models to choose from.**

The top of every GT-18 glasswasher is removable. The same base, which houses all the electrical and mechanical components, is used with all of the different top styles. The various tops are used in different situations to increase glasswasher throughput. A suffix is added to the GT-18 model number to specify a top different than the standard door type. The different models are pictured below:



GT-18  
Front load door type



GT-18+1  
Front-to-back  
pass thru



Cocktail server view  
with simulated bar  
top and bar die



GT-18+1L  
Front-to-side pass thru with left side  
drain table (GT-18+1R with right side  
drain table is also available)



GT-18+2  
Side-to-side  
pass thru



GT-18+2-IC  
Side-to-side corner  
pass thru

**PRODUCT INFORMATION**

(see GT-18, GT-18+1, GT-18+1L or R, GT-18+2, GT-18+2 Ext, GT-18+2-IC, and GT-18 Access Spec Sheets for complete details)

**STANDARD FEATURES:**

- Drive wheel and glass rack lift out for cleaning
- Two 16" diameter polypropylene racks included
- Spray box unlatches for easy cleaning and visual inspection - 15 spray nozzles have been engineered for maximum soil removal
- Digital temperature gauge built into switch panel
- Intelligent microprocessor control delays cycle start, up to two minutes, when incoming water is below 120°F (49°C)
- Automatic peristaltic metering pumps accurately dispense detergent, sanitizer and rinse aid
- Prime Switch for quick chemical priming
- 1/6 HP pump recirculates wash water and rinse water
- Fractional HP drive motor powers the belt driven rotary rack and includes built-in slip clutch

**ELECTRICAL:**

- 120V, single phase, 60Hz, 6-foot grounded cord and plug included

**CAPACITY:**

- 2 minute cycle, 70 second wash and 22 second rinse exposure
- 720 - 2-1/2" diameter or 360 - 3-1/4" diameter glasses per hour (maximum glass height 10" - including pitchers and wine carafes)

**EXTENDED GT-18+2 MODELS**

Extended GT-18+2 models have the drain table extended on one side of the glasswasher to hold more than one rack. This increases overall glasswasher throughput by allowing multiple racks of glassware to be pre-loaded for washing. The model number specifies the overall glasswasher length and the location of the extended drain table. For example, the GT-18+2-78L (pictured) is 78" long overall and has the left side drain table extended. Extended +2's are available in 78" and 90" overall lengths. The 78" models come with three racks and the 90" models come with four racks. A leg set is included under the extended drain table.



GT-18+2-78L with 01000708 glass rack holder

**Glasswashers**

**ROTARY RACK GLASSWASHERS**

MODEL	DESCRIPTION	LIST	WEIGHT	LENGTH	DRAIN TABLE
GT-18	Front load door type	\$14,381	145#	18"	N/A
GT-18+1	Front-to-back pass thru	\$15,496	155#	18"	Back
GT-18+1L	Front-to-side pass thru	\$16,131	175#	36"	Left
GT-18+1R	Front-to-side pass thru	\$16,131	175#	36"	Right
GT-18+2	Side-to-side pass thru	\$16,887	195#	60"	Left & Right

**CUSTOM ROTARY RACK GLASSWASHERS\***

MODEL	DESCRIPTION	LIST	WEIGHT	LENGTH	DRAIN TABLE
GT-18+2-IC	Side-to-side corner pass thru	\$18,008	245#	42" x 42"	Left & Right
GT-18+2-78L	Side-to-side pass thru, left extended	\$17,837	275#	78"	Left & Right
GT-18+2-78R	Side-to-side pass thru, right extended	\$17,837	275#	78"	Left & Right
GT-18+2-90L	Side-to-side pass thru, left extended	\$18,472	300#	90"	Left & Right
GT-18+2-90R	Side-to-side pass thru, right extended	\$18,472	300#	90"	Left & Right

\*NOTE: These units are manufactured to order and are not returnable

**ACCESSORIES**

MODEL	DESCRIPTION	LIST	WEIGHT
01000532	Glass rack	\$176	2#
01000533	Dish rack	\$337	4#
01000536	Glass rack insert for stemware	\$635	6#
01000710	Clip-on chemical rail	\$478	10#
01000706	Glass rack holder (for GT-18+1 only)	\$607	10#
01000708	Glass rack holder (+2, +1L, or +1R models)	\$1,225	20#
01000709	Glass rack holder w/shelf (+2, +1L, or +1R models)	\$1,536	25#
01000557	Export transformer†	\$2,210	20#



GT-18 with 01000710 chemical rail



01000536 Glass rack insert for stemware



01000533 Dish rack

See underbar section for wet waste sinks and drainboards.

†EXPORT TRANSFORMER- The export transformer converts the electrical requirement to 220V, 1 phase, 50Hz.



GT-18+2 with SWA-12 wet waste sink and 01000709 glass rack holder



GT-18+1 with 01000706 glass rack holder



GT-18+2-78L with 01000708 glass rack holder

*Pass-thru cocktail stations are designed with the intention of increasing productivity through teamwork.*

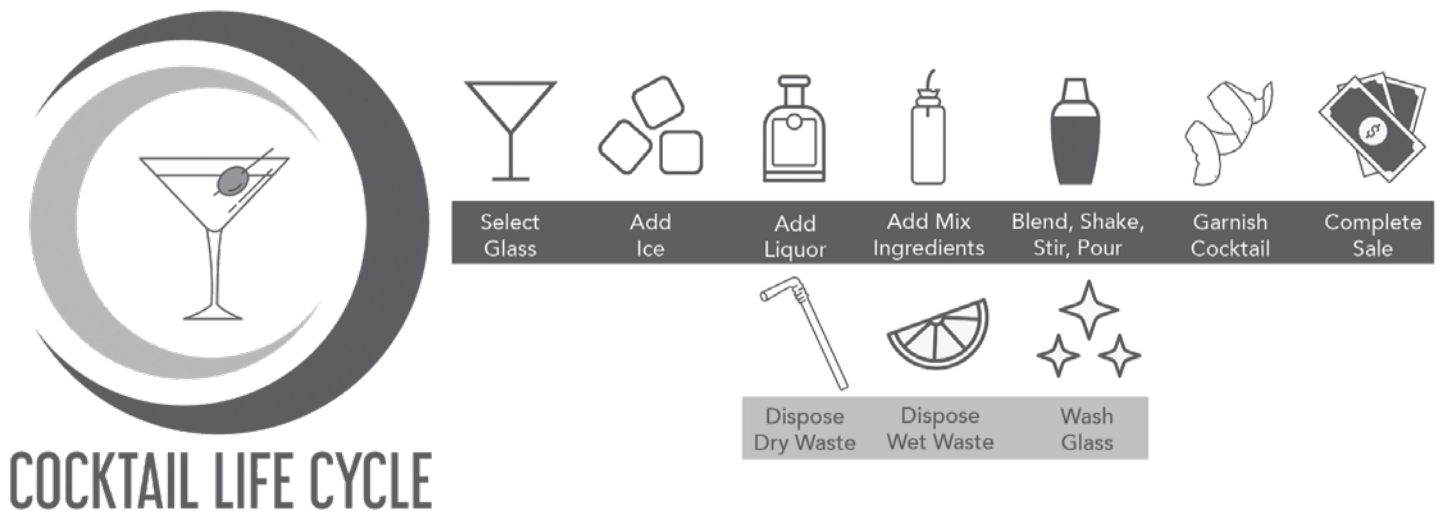
**Cocktail Stations**

In a normal underbar lineup, the bartender is responsible for nearly all Cocktail Life Cycle steps.

Pass-thru cocktail stations are designed to include equipment and components necessary for the server to participate in more steps of the cocktail assembly and disassembly process.

With a teamwork approach, efficiency can be doubled relative to a typical underbar lineup.

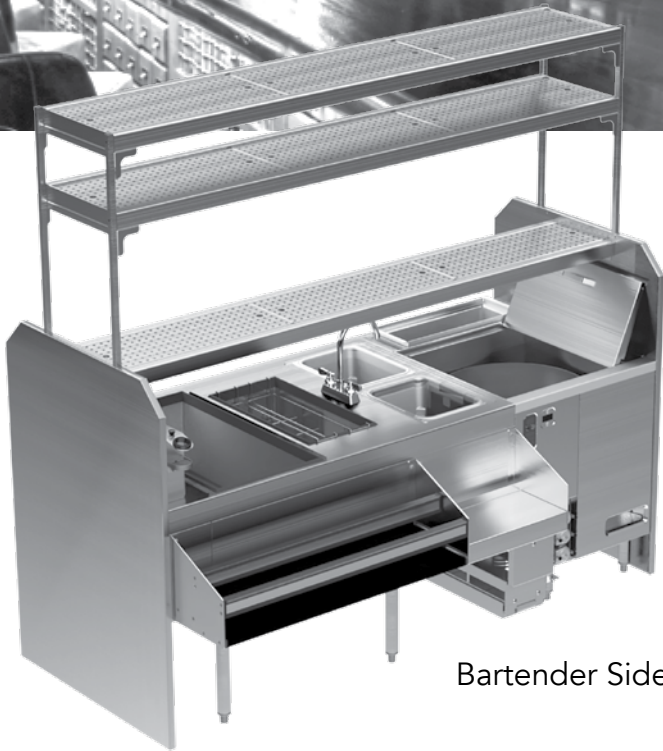
Cocktail Cycle Prep Step	Responsibility (Standard)	Responsibility (Pass-Thru Station)
Select a Glass	Bartender	Shared
Add Ice	Bartender	Shared
Add Liquor	Bartender	Bartender
Add Mix	Bartender	Shared
Garnish Cocktail	Bartender	Shared
Complete the Sale	Bartender	Bartender
Dispose Dry Waste	Bartender	Shared
Dispose Wet Waste	Bartender	Shared
Return Used Glassware	Server	Server
Wash Glassware	Bartender	Shared



*With dozens of configurations, pass-thru cocktail stations can accommodate assembly steps, disassembly steps, or both.*



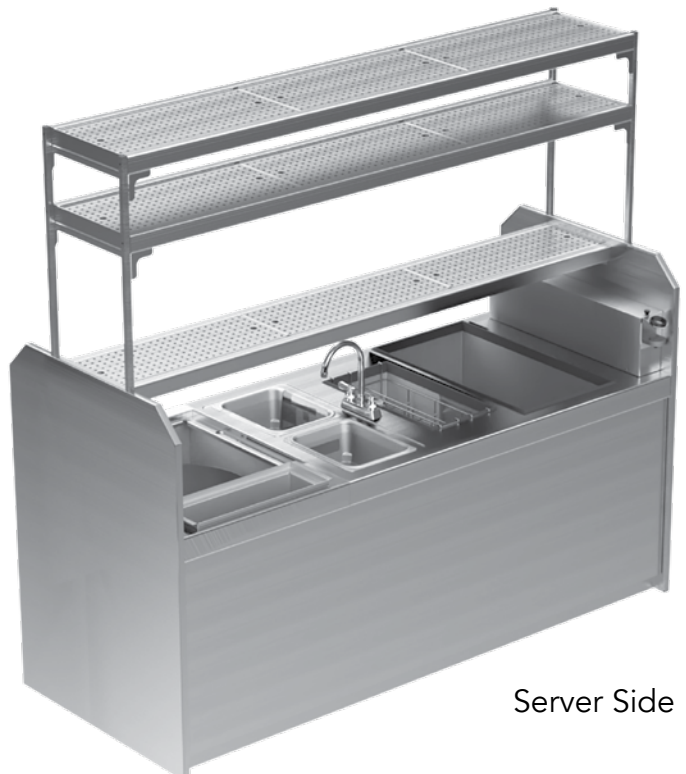
Our pass-thru stations are constructed of durable, high-quality stainless steel. Cleaning takes minimal effort with all radius corners and easily removable parts.



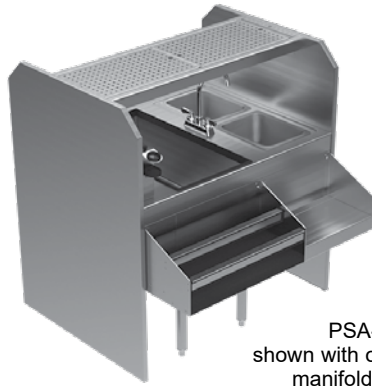
Bartender Side

Single and double overshelves are available as an accessory for convenient glassware storage.

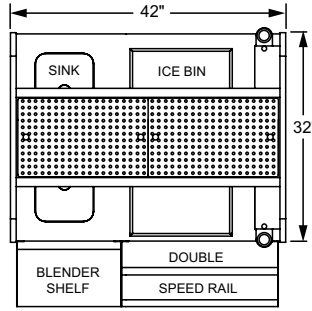
Front and end finishing panels, available in stainless steel or a multitude of laminate options, give the pass-thru station a finished, cohesive look.



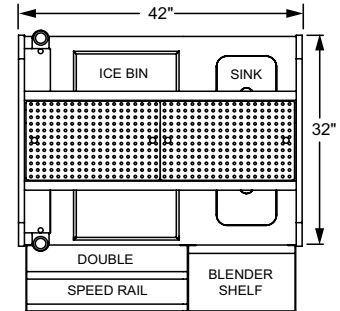
Server Side



PSA-42R  
shown with optional soda  
manifold housing



PSA-42L



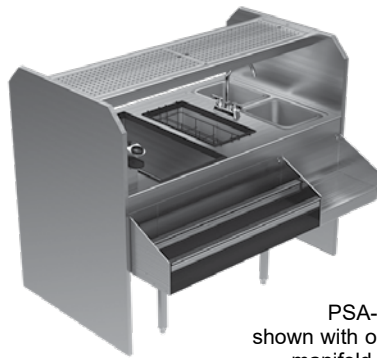
PSA-42R

## PSA-42L & PSA-42R

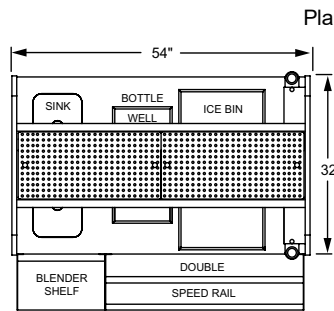
(see PSA Spec Sheet for complete details)

The PSA-42L or R pass-thru assembly cocktail station includes the following standard features: two wet waste sinks (9-1/4" by 10-1/2" by 6" deep) with strainers, gooseneck faucet, stainless steel draining tray shelf with removable perforated inserts, and one pass-thru ice bin (84 pound capacity).

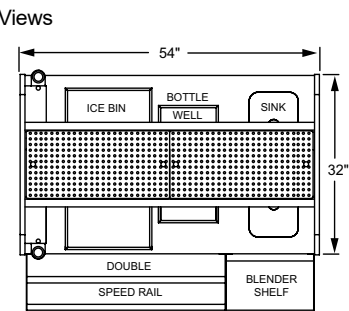
<u>MODEL</u>	<u>LIST</u>	<u>WEIGHT</u>	<u>BLENDER SHELF/DOUBLE SPEED RAIL</u>	<u>FULL DOUBLE SPEED RAIL</u>	<u>FULL SINGLE SPEED RAIL</u>	<u>LAMINATE WOOD PANELS</u>
PSA-42L or R	\$12,812	345#	\$1,021	\$777	\$395	\$1,957



PSA-54R  
shown with optional soda  
manifold housing



PSA-54L



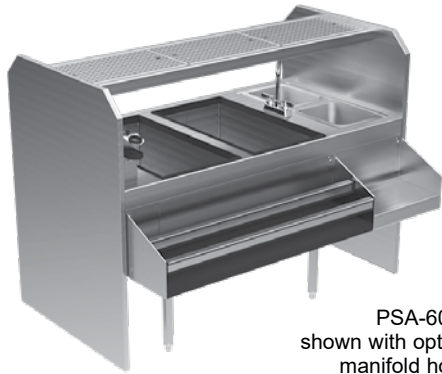
PSA-54R

## PSA-54L & PSA-54R

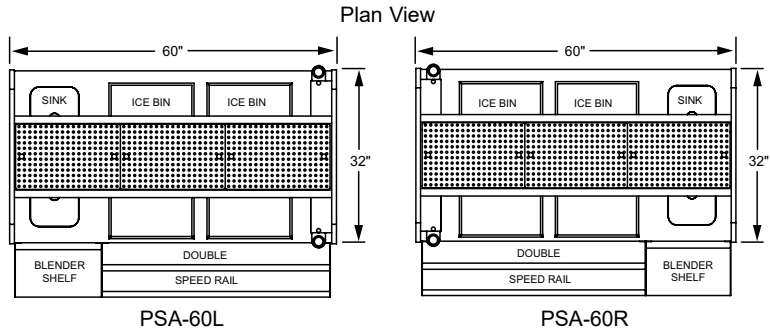
The PSA-54L or R pass-thru assembly cocktail stations include the following standard features: two wet waste sinks (9-1/4" by 10-1/2" by 6" deep) with strainers, gooseneck faucet, stainless steel draining tray shelf with removable perforated inserts, one pass-thru ice bin (84 pound capacity), and eight bottle insulated storage well.

<u>MODEL</u>	<u>LIST</u>	<u>WEIGHT</u>	<u>BLENDER SHELF/DOUBLE SPEED RAIL</u>	<u>FULL DOUBLE SPEED RAIL</u>	<u>FULL SINGLE SPEED RAIL</u>	<u>LAMINATE WOOD PANELS</u>
PSA-54L or R	\$16,024	395#	\$1,126	\$1,115	\$619	\$2,696

\*NOTE: Cocktail Stations are manufactured to order and are not returnable



PSA-60R  
shown with optional soda  
manifold housing



## PSA-60L & PSA-60R

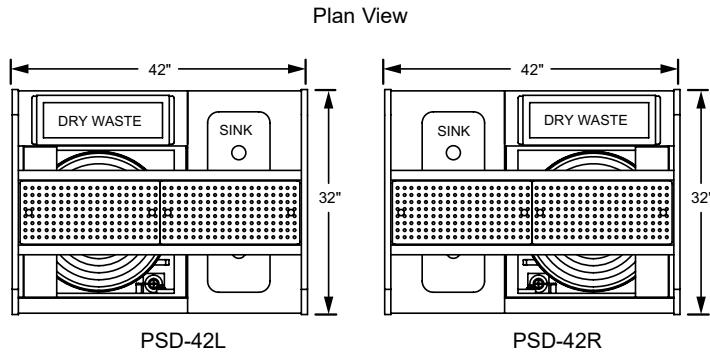
(see PSA Spec Sheet for complete details)

The PSA-60L/R pass-thru assembly cocktail station includes the following standard features: two wet waste sinks (9-1/4" by 10-1/2" by 6" deep) with strainers, gooseneck faucet, stainless steel draining tray shelf with removable perforated inserts, and two pass-thru ice bins (84 pound capacity each).

<u>MODEL</u>	<u>LIST</u>	<u>WEIGHT</u>	<u>BLENDER SHELF/DOUBLE SPEED RAIL</u>	<u>FULL DOUBLE SPEED RAIL</u>	<u>FULL SINGLE SPEED RAIL</u>	<u>LAMINATE WOOD PANELS</u>
PSA-60L/R	\$16,449	435#	\$1,179	\$1,155	\$649	\$2,696



PSD-42R



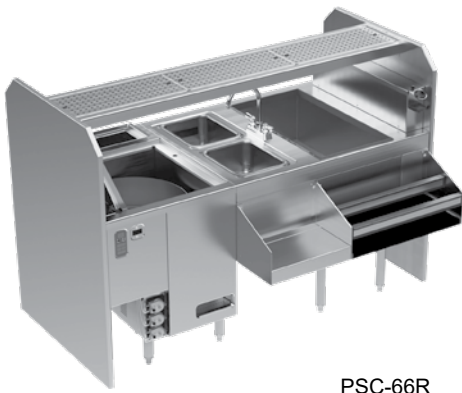
## PSD-42L & PSD-42R

(see PSD Spec Sheet for complete details)

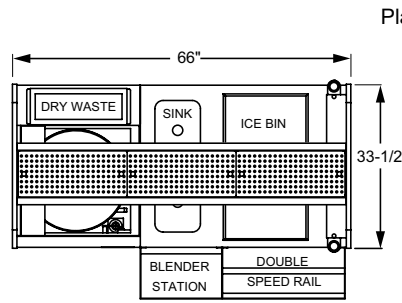
The PSD-42L/R pass-thru disassembly cocktail station includes the following standard features: two wet waste sinks (9-1/4" by 11-1/2" by 6" deep) with strainers, gooseneck faucet, server-side removable stainless steel dry waste receptacle (5 gallon capacity), stainless steel draining tray shelf with removable perforated inserts, and GW24 glasswasher with bi-fold cover.

<u>MODEL</u>	<u>LIST</u>	<u>WEIGHT</u>	<u>LAMINATE WOOD PANELS</u>
PSD-42L/R	\$27,403	540#	\$1,957

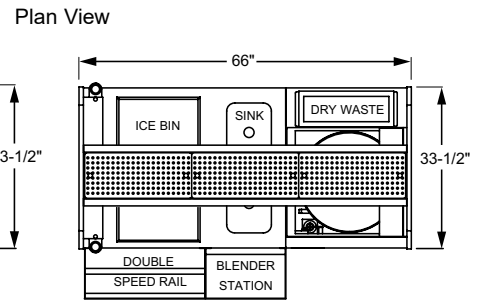
\*NOTE: Cocktail Stations are manufactured to order and are not returnable



PSC-66R



PSC-66L



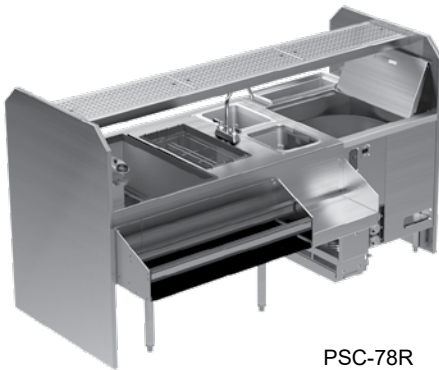
PSC-66R

## PSC-66L & PSC-66R

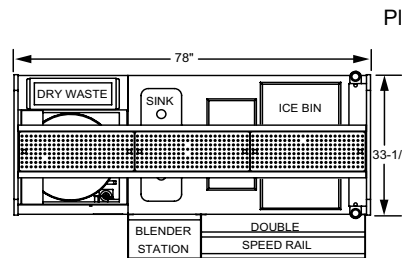
(see PSC Spec Sheet for complete details)

The PSC-66L/R pass-thru complete cocktail station includes the following standard features: pass thru ice bin (84lb capacity), two wet waste waste sinks (9-1/4" by 11-1/2" by 6" deep bowls) with sink strainers, gooseneck faucet, server-side removable stainless steel dry waste receptacle (5 gallon capacity), stainless steel draining tray shelf with removable perforated inserts, and GW24 glasswasher with bi-fold cover.

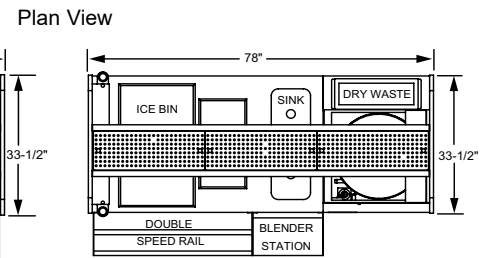
<u>MODEL</u>	<u>LIST</u>	<u>WEIGHT</u>	<u>BLENDER SHELF/DOUBLE SPEED RAIL</u>	<u>FULL DOUBLE SPEED RAIL</u>	<u>FULL SINGLE SPEED RAIL</u>	<u>LAMINATE WOOD PANELS</u>
PSC-66L/R	\$32,442	570#	\$1,021	\$777	\$395	\$2,696



PSC-78R



PSC-78L



PSC-78R

## PSC-78L & PSC-78R

The PSC-78L/R pass-thru complete cocktail station includes the following standard features: pass thru ice bin (84lb capacity), two wet waste waste sinks (9-1/4" by 11-1/2" by 6" deep bowls) with sink strainers, gooseneck faucet, server-side removable stainless steel dry waste receptacle (5 gallon capacity), stainless steel draining tray shelf with removable perforated inserts, GW24 glasswasher with bi-fold cover, and eight bottle insulated storage well

<u>MODEL</u>	<u>LIST</u>	<u>WEIGHT</u>	<u>BLENDER SHELF/DOUBLE SPEED RAIL</u>	<u>FULL DOUBLE SPEED RAIL</u>	<u>FULL SINGLE SPEED RAIL</u>	<u>LAMINATE WOOD PANELS</u>
PSC-78L/R	\$35,192	750#	\$1,126	\$1,115	\$619	\$2,696

\*NOTE: Cocktail Stations are manufactured to order and are not returnable

ACCESSORIES										
MODEL	DESCRIPTION	LIST	WEIGHT	PSA-42	PSA-54	PSA-60	PSD-42	PSC-66	PSC-78	
<b>OVERSHELVES</b>										
(Mounts to end panels of station - brackets included)										
SOS/SS-42	42" stainless steel single overshelf	\$1,901	53#	x			x			
SOS/SS-54	54" stainless steel single overshelf	\$2,031	68#		x					
SOS/SS-60	60" stainless steel single overshelf	\$2,170	75#			x				
SOS/SS-66	66" stainless steel single overshelf	\$2,236	83#				x			
SOS/SS-78	78" stainless steel single overshelf	\$2,361	98#						x	
DOS/SS-42	42" stainless steel double overshelf	\$2,907	98#	x			x			
DOS/SS-54	54" stainless steel double overshelf	\$3,169	126#		x					
DOS/SS-60	60" stainless steel double overshelf	\$3,446	140#			x				
DOS/SS-66	66" stainless steel double overshelf	\$3,579	154#				x			
DOS/SS-78	78" stainless steel double overshelf	\$3,829	182#						x	
<b>CLIP-ON GARNISH DISPENSER</b>										
(Clips to tray shelf on bartender or server side)										
CCD/T	Garnish dispenser, clip-on to tray shelf	\$300	4#	x	x	x		x	x	
<b>ICE BIN ACCESSORIES</b>										
03000509	Sneeze guard for 32" deep stations	\$334	15#	x	x	x		x	x	
IBD-H-CS32	Ice bin divider, half, for 32" deep station	\$189	4#	x	x	x		x	x	
02006635	Sliding cover	\$292	12#	x	x	x		x	x	
<b>CLIP-ON DRY WASTE RECEPTACLE</b>										
(Clips to front panel on cocktail server side of station)										
CDRY	Clip-on dry waste (stainless steel)	\$922	30#	x	x	x				
<b>SODA GUN ACCOMMODATIONS</b>										
02001103	Ten circuit cold plate	\$2,363	120#	x	x	x		x	x	
	Soda manifold	\$823	21#	x	x	x		x	x	
<b>GW24 ROTARY GLASSWASHER ACCESSORIES</b>										
01001500	Slide-out Chemical Bottle Rack	\$870	25#				x	x	x	
01001601	Rack divider, two-piece assembly	\$305	7#				x	x	x	

 All faucets are certified low lead compliant

**WARNING:** The plastic wet waste strainer included with this product can expose you to chemicals including Bisphenol A (BPA), which is known to the State of California to cause birth defects or other reproductive harm. For more information, go to [www.P65Warnings.ca.gov](http://www.P65Warnings.ca.gov). **Part #03000483**  
**Warning applies to State of California only.**

\*NOTE: Cocktail Stations are manufactured to order and are not returnable



PBC48-12

Portable bars for stackable cups come with a cup storage well for three rows up to 4-1/4" in diameter, as well as a cocktail ice bin and an iced beverage storage bin. The size of the cocktail bin and beverage storage bin vary depending on the model ordered.



PBG72-12

Portable bars for glassware come with a glass storage work surface area consisting of a pan with perforated insert and rack slides for storing three 20"x20" glass racks below. They also include a cocktail ice bin and an iced beverage storage bin, the sizes of which vary depending on the model ordered.

**PORTABLE BAR FOR STACKABLE CUPS**

<u>MODEL</u>	<u>LIST</u>	<u>COCKTAIL ICE BIN</u>	<u>BEVERAGE BIN</u>	<u>WT</u>	<u>OVERALL LENGTH</u>
PBC48-12	\$12,161	12"	24"	275#	48"
PBC48-18	\$12,257	18"	18"	275#	48"
PBC54-12	\$12,925	12"	30"	300#	54"
PBC54-18	\$13,023	18"	24"	300#	54"
PBC60-12	\$13,709	12"	36"	325#	60"
PBC60-18	\$13,787	18"	30"	325#	60"

**PRODUCT INFORMATION**

(see PBC, PBCR, PBG, and PBGR Spec Sheets for complete details)

**STANDARD FEATURES:**

- Weather resistant stainless steel construction
- Stainless steel bottle rail with PVC plastic sound deadening cover. Rail includes clear snap-on liquor identification label cover.
- PBC and PBCR - Cup storage well for three rows up to 4-1/4" in diameter
- PBG and PBGR - Glass storage pan with perforated insert and storage for three glass racks below
- Cocktail ice bin with sliding cover and garnish cup area. Rear garnish area has hinged stainless steel sanitary cover with three (12") or four (18") cups.
- Iced beverage storage bin with separate drain to prevent contamination of ice used to make cocktails. Drain includes flexible hose and on/off valve for draining when convenient.
- Foamed-in-place insulation and an PVC plastic breaker strip around ice bin liners to prevent thermal transfer from outside the ice bin so ice lasts longer
- 6-gallon plastic drain tank with on-off valve to collect melting ice water from cocktail bin
- 4" heavy-duty rubberized casters. The two bartender side corner casters are locking.
- Stainless steel front and side panels are welded to the 16-gauge stainless steel base for incredible durability
- Stainless steel bar top and front and side panels have a plastic honeycomb core for durability and sound deadening
- Stylish feathered jewel finish on bar top hides scratches

**PORTABLE BAR FOR GLASSWARE**

<u>MODEL</u>	<u>LIST</u>	<u>COCKTAIL ICE BIN</u>	<u>BEVERAGE BIN</u>	<u>WT</u>	<u>OVERALL LENGTH</u>
PBG66-12	\$14,975	12"	24"	355#	66"
PBG66-18	\$15,070	18"	18"	355#	66"
PBG72-12	\$15,764	12"	30"	380#	72"
PBG72-18	\$15,860	18"	24"	380#	72"
PBG78-12	\$16,552	12"	36"	405#	78"
PBG78-18	\$16,648	18"	30"	405#	78"

\*NOTE: Portable bars are made to order and are not returnable.

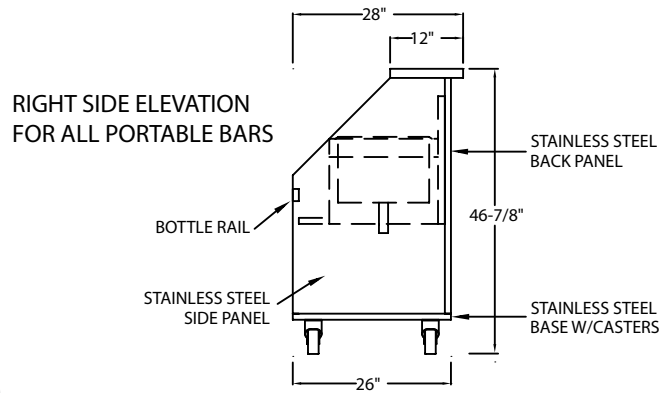


PBCR72-12

Portable bars for stackable cups with space for a refrigerator share the same features as the other stackable cups models, except they also include a 36" w by 25" d by 38-3/4" h space for an on-board refrigerator. The refrigerator must be ordered separately. A Glastender model C1FB36 (page 71) or ST36 (Page 113) is recommended. If a non-Glastender refrigerator is being used, verify the power cord can exit the front of the 36" opening.

**PORTABLE BAR FOR STACKABLE CUPS WITH SPACE FOR REFRIGERATOR**

MODEL	LIST	COCKTAIL	BEVERAGE	WT	OVERALL LENGTH
		ICE BIN	BIN		
PBCR72-12	\$15,053	12"	12"	340#	72"
PBCR78-12	\$15,824	12"	18"	365#	78"
PBCR78-18	\$15,919	18"	12"	365#	78"
PBCR84-12	\$16,612	12"	24"	390#	84"
PBCR84-18	\$16,705	18"	18"	390#	84"
PBCR90-12	\$17,379	12"	30"	415#	90"
PBCR90-18	\$17,471	18"	24"	415#	90"
PBCR96-12	\$18,141	12"	36"	440#	96"
PBCR96-18	\$18,327	18"	30"	440#	96"



PBGR96-18

Portable bars for glassware with space for a refrigerator share the same features as the other glassware models, except they also include a 36" w by 25" d by 38-3/4" h space for an on-board refrigerator. The refrigerator must be ordered separately. A Glastender model C1FB36 (page 71) or ST36 (Page 113) is recommended. If a non-Glastender refrigerator is being used, verify the power cord can exit the front of the 36" opening.



**PORTABLE BAR FOR GLASSWARE WITH SPACE FOR REFRIGERATOR**

MODEL	LIST	COCKTAIL	BEVERAGE	WT	OVERALL LENGTH
		ICE BIN	BIN		
PBGR90-12	\$17,525	12"	12"	415#	90"
PBGR96-12	\$18,313	12"	18"	440#	96"
PBGR96-18	\$18,406	18"	12"	440#	96"

\*NOTE: Portable bars are made to order and are not returnable.



IBA-24-CP10

**PRODUCT INFORMATION**

(see IB and IB-ED Spec Sheets for complete details)

**STANDARD FEATURES**

- One-piece, seamless top and backsplash
- PVC plastic breaker strip around ice bin liner: creates 5/16" raised edge around liner (NSF® requirement is 3/16"), acts as a thermal barrier to prevent heat transfer, and makes the covers slide easier
- Tubing chase available centered in backsplash of 12" and larger models. Specify accessory model #TC-BS.
- 24" deep version provides a larger ice bin, not just a deck extension on the back of 19" deep model
- Sliding stainless steel cover
- Foamed-in-place insulation
- Models without cold plates have a 1-1/2" welded tailpiece - no drain fitting to break or come loose
- 10-1/2" deep liner (Extra deep models have a 14-1/2" deep liner)
- Adjustable stainless steel bullet feet

**What is a cold plate?**

A cold plate is an aluminum block with stainless steel lines or circuits molded within. Glastender ice bins can be manufactured with a ten-circuit cold plate built into the bottom liner. Soda lines are attached by the soda vendor to the input and output lines of the cold plate and the soda water and syrup is chilled as it passes through these lines. Please consult your soda vendor to determine if cold plates are required in your ice bins.

**19" DEEP ICE BINS\***

MODEL	LIST	LENGTH	WEIGHT	ICE CAPACITY
IBA-6†	\$1,431	6"	40#	17#
IBA-12	\$2,025	12"	50#	33#
IBA-18	\$2,287	18"	60#	50#
IBA-24	\$2,554	24"	70#	67#
IBA-30	\$2,820	30"	80#	84#
IBA-36	\$3,125	36"	90#	100#
IBA-42	\$3,399	42"	100#	117#
IBA-48	\$3,670	48"	110#	134#

**19" DEEP EXTRA DEEP ICE BINS\***

IBA-18-ED	\$2,589	18"	75#	69#
IBA-24-ED	\$2,883	24"	80#	92#
IBA-30-ED	\$3,181	30"	90#	116#
IBA-36-ED	\$3,516	36"	100#	139#
IBA-42-ED	\$3,816	42"	110#	162#
IBA-48-ED	\$4,117	48"	125#	185#

**WITH 10-CIRCUIT COLD PLATE**

IBA-24-CP10	\$4,527	24"	130#	67#
IBA-30-CP10	\$4,875	30"	145#	84#
IBA-36-CP10	\$5,331	36"	160#	100#
IBA-42-CP10	\$6,030	42"	170#	117#
IBA-48-CP10	\$6,301	48"	180#	134#

**19" EXTRA DEEP ICE BINS WITH 10-CIRCUIT COLD PLATE\***

IBA-24-CP10-ED	\$5,060	24"	140#	92#
IBA-30-CP10-ED	\$5,451	30"	155#	116#
IBA-36-CP10-ED	\$6,020	36"	170#	139#
IBA-42-CP10-ED	\$6,706	42"	180#	162#
IBA-48-CP10-ED	\$7,036	48"	190#	185#

† Not freestanding

**24" DEEP ICE BINS\***

MODEL	LIST	LENGTH	WEIGHT	ICE CAPACITY
IBB-6†	\$1,551	6"	45#	21#
IBB-12	\$2,189	12"	55#	42#
IBB-18	\$2,495	18"	70#	64#
IBB-24	\$2,842	24"	80#	85#
IBB-30	\$3,115	30"	95#	106#
IBB-36	\$3,446	36"	110#	127#
IBB-42	\$3,774	42"	120#	149#
IBB-48	\$4,076	48"	130#	170#

**WITH 10-CIRCUIT COLD PLATE\***

IBB-24-CP10	\$4,773	24"	145#	85#
IBB-30-CP10	\$5,657	30"	160#	106#
IBB-36-CP10	\$6,025	36"	170#	127#
IBB-42-CP10	\$6,379	42"	185#	149#
IBB-48-CP10	\$6,707	48"	195#	170#

**24" EXTRA DEEP ICE BINS WITH 10-CIRCUIT COLD PLATE\***

IBB-24-CP10-ED	\$5,235	24"	155#	117#
IBB-30-CP10-ED	\$6,169	30"	170#	147#
IBB-36-CP10-ED	\$6,571	36"	180#	176#
IBB-42-CP10-ED	\$6,967	42"	195#	205#
IBB-48-CP10-ED	\$7,332	48"	205#	235#

† Not freestanding

\*NOTE: These ice bin models are manufactured to order and are not returnable

**PASS-THRU ICE BINS**

MODEL	LIST	COLD PLATE	WEIGHT	ICE CAPACITY
IB-38X24*	\$4,623	N/A	100#	175#
IB-38X24-CP10	\$6,648	10 circuit	190#	175#

A 24" wide by 38" deep pass-thru ice bin is used to provide the cocktail servers with access to the ice. Pass-thru ice bins have the same features as standard ice bins, except there is no backsplash and the sliding cover is double sided. The bartender side of the ice bin lines up with the underbar equipment the same as a standard ice bin. The 38" deep dimension also allows a pass-thru ice bin to line up with back-to-back mounted underbar equipment (see sample drawings).

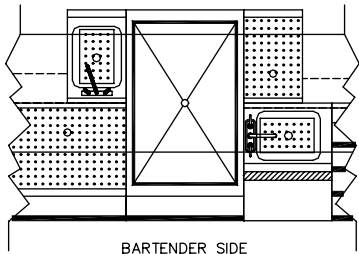
\*NOTE: This model is manufactured to order and is not returnable

**PRODUCT INFORMATION**

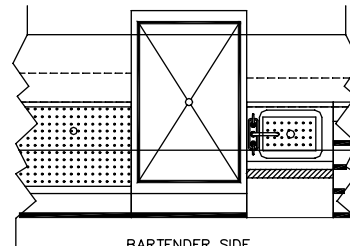
(see IB-38x24 Spec Sheet for complete details)



IB-38X24



BARTENDER SIDE  
Underbar Plan View with Pass-Thru Ice Bin and Back-to-Back Mounted Underbar



BARTENDER SIDE  
Underbar Plan View with Pass-Thru Ice Bin

**ACCESSORIES**

MODEL	DESCRIPTION	LIST	WEIGHT
TC-BS	Tube chase centered in backsplash (12" wide and larger models only)	\$81	N/A
IMF	Ice-melting faucet (12" wide and larger models only)	\$635	3#
SSR-12	12" single speed rail	\$264	4#
SSR-18	18" single speed rail	\$290	6#
SSR-24	24" single speed rail	\$318	7#
SSR-30	30" single speed rail	\$343	10#
SSR-36	36" single speed rail	\$369	12#
SSR-42	42" single speed rail	\$395	18#
SSR-48	48" single speed rail	\$424	22#
DSR-12	12" double speed rail	\$524	8#
DSR-18	18" double speed rail	\$575	12#
DSR-24	24" double speed rail	\$619	14#
DSR-30	30" double speed rail	\$672	20#
DSR-36	36" double speed rail	\$724	24#
DSR-42	42" double speed rail	\$777	36#
DSR-48	48" double speed rail	\$836	44#
CCD	Garnish dispenser	\$243	5#
CCD6-12	Garnish dispenser, ice chilled, includes six cups and two lift off covers, for IBA-12 or well of CBA model	\$558	8#
IBD-H-A	Ice bin divider, half, for 19" deep ice bin	\$119	4#
IBD-H-B	Ice bin divider, half, for 24" deep ice bin	\$152	4#
IBD-H-A-ED	Ice bin divider, half, for 19" deep extra deep ice bin	\$139	4#
IBD-H-B-ED	Ice bin divider, half, for 24" deep extra deep ice bin	\$178	4#
IBD-H-P	Ice bin divider, half, for IB-38X24	\$198	4#
IBD-H-P-CP	Ice bin divider, half, for IB-38X24-CP10	\$213	4#
IBD-H-P-LR	Ice bin divider, half, left to right for IB-38X24	\$152	4#



SSR-24



DSR-24



CCD6-12



TC-BS



IBD-H-A



CCD

NOTE: For Bottle Wells or Racks see page 21

Bar Fabrication - Signature



CBA-36R-CP10  
with optional SSR-36

**PRODUCT INFORMATION**  
(see CB and CB-ED Spec Sheets  
for complete details)

**STANDARD FEATURES**

- One-piece, seamless top and backsplash
- PVC plastic breaker strip around ice bin liner: creates 5/16" raised edge around liner (NSF® requirement is 3/16"), acts as thermal barrier to prevent heat transfer, and makes the covers slide easier
- Tubing chase available centered in backsplash of 12" and larger models. Specify accessory model #TC-BS.
- 24" deep version provides a larger ice bin, not just a deck extension on the back of 19" deep model
- Sliding stainless steel cover
- Foamed-in-place insulation
- Models without cold plates have a 1-1/2" welded tailpiece - no drain fitting to break or come loose
- 10-1/2" deep liner (Extra deep models have a 14-1/2" deep liner)
- Adjustable stainless steel bullet feet

Combo Ice Bins combine separate draining ice bin and bottle well compartments into one integral unit. The fully insulated bottle well comes with wire rack(s) for ice chilled storage of bottles. The bottle well may be located on the left, right, or both sides of the ice bin.

**19" DEEP COMBO ICE BINS\***

MODEL	LIST	LENGTH	WT	ICE CAPACITY	BOTTLES STORED
CBA-30L3 or R3	\$3,677	30"	90#	67#	3
CBA-30L or R	\$3,677	30"	90#	50#	6
CBA-36L or R	\$3,957	36"	100#	67#	6
CBA-42	\$4,815	42"	110#	50#	12
CBA-42L or R	\$4,229	42"	110#	84#	6
CBA-48	\$5,127	48"	120#	67#	12
CBA-48L or R	\$4,550	48"	120#	100#	6

**WITH 10-CIRCUIT COLD PLATE**

CBA-30L3 or R3-CP10	\$5,955	30"	165#	67#	3
CBA-36L or R-CP10	\$6,232	36"	170#	67#	6
CBA-42L or R-CP10	\$6,592	42"	180#	84#	6
CBA-48-CP10	\$7,524	48"	200#	67#	12
CBA-48L or R-CP10	\$7,084	48"	200#	100#	6
CBA-54-CP10*	\$7,894	54"	210#	84#	12
CBA-60-CP10*	\$8,384	60"	220#	100#	12

**19" EXTRA DEEP COMBO ICE BINS WITH 10-CIRCUIT COLD PLATE\***

CBA-30L3 or R3-CP10-ED	\$6,397	30"	175#	92#	3
CBA-36L or R-CP10-ED	\$6,675	36"	180#	92#	6
CBA-42L or R-CP10-ED	\$7,067	42"	190#	116#	6
CBA-48-CP10-ED	\$8,044	48"	210#	92#	12
CBA-48L or R-CP10-ED	\$7,589	48"	210#	139#	6

**24" DEEP COMBO ICE BINS WITH 10-CIRCUIT COLD PLATE\***

CBB-30L4 or R4-CP10	\$6,694	30"	175#	85#	4
CBB-36L or R-CP10	\$7,020	36"	180#	85#	8
CBB-42L or R-CP10	\$7,310	42"	190#	106#	8
CBB-48-CP10	\$8,670	48"	210#	85#	16
CBB-48L or R-CP10	\$7,601	48"	210#	127#	8

\*NOTE: These Combo Ice Bin models are manufactured to order and are not returnable

**COMBO ICE BIN ACCESSORIES**

MODEL	DESCRIPTION	LIST	WEIGHT
TC-BS	Tubing chase centered in backsplash	\$81	N/A
IMF	Ice-melting faucet	\$635	3#
SSR-30	30" single speed rail	\$343	10#
SSR-36	36" single speed rail	\$369	12#
SSR-42	42" single speed rail	\$395	18#
SSR-48	48" single speed rail	\$424	22#
SSR-54	54" single speed rail	\$619	25#
SSR-60	60" single speed rail	\$649	28#
DSR-30	30" double speed rail	\$672	20#
DSR-36	36" double speed rail	\$724	24#
DSR-42	42" double speed rail	\$777	36#
DSR-48	48" double speed rail	\$836	44#
DSR-54	54" double speed rail	\$1,115	50#
DSR-60	60" double speed rail	\$1,155	56#
CCD	Garnish dispenser	\$243	5#
IBD-H-A	Ice bin divider, half, for 19" deep ice bin	\$119	4#
IBD-H-B	Ice bin divider, half, for 24" deep ice bin	\$152	4#



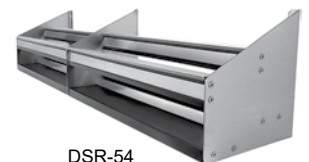
SSR-54



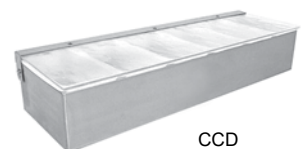
IBD-H-A



TC-BS



DSR-54



CCD



CBA-36-CP10-CS



Large chase behind each bottle well provides access for soda and liquor lines.

**CASINO STYLE COMBO ICE BIN\***

<u>MODEL</u>	<u>LIST</u>	<u>LENGTH</u>	<u>WT</u>	<u>ICE CAPACITY</u>	<u>BOTTLES STORED</u>
CBA-36-CP10-CS	\$7,755	36"	190#	67#	6

\*NOTE: Casino Style Combo Ice Bin model is manufactured to order and not returnable

**CASINO STYLE COMBO ICE BIN ACCESSORY**

<u>MODEL</u>	<u>DESCRIPTION</u>	<u>LIST</u>	<u>WEIGHT</u>
CCD	Garnish dispenser	\$243	5#

**PRODUCT INFORMATION**

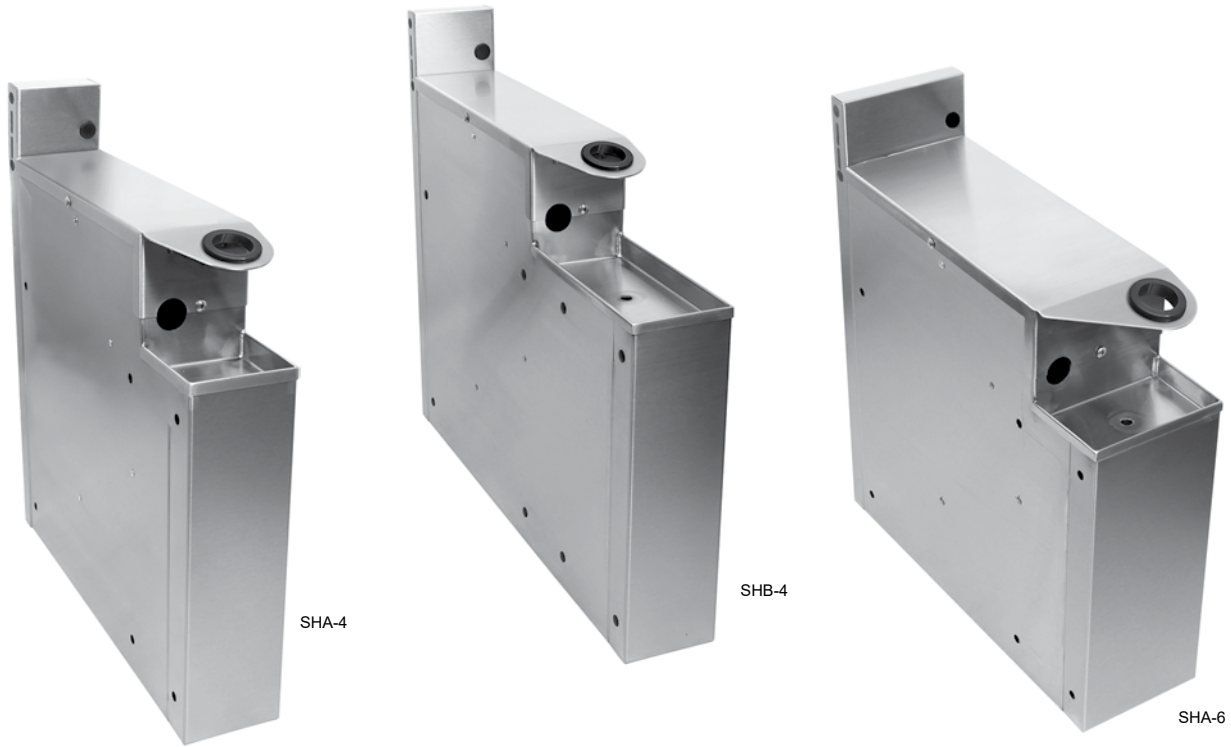
(see Casino Spec Sheet for complete details)

**STANDARD FEATURES**

- Integrates one ice bin, two separate draining bottle wells, and two tubing chases into a one-piece seamless top and backsplash
- All stainless steel construction
- PVC plastic breaker strip around ice bin liner: creates 5/16" raised edge around liner, acts as thermal barrier to prevent heat transfer, and makes the cover slide easier
- One 3-bottle well to the left and right of the main ice bin liner
- 4" by 4-1/2" chase opening located behind each bottle well
- 24" single speed rail with PVC sound deadening cover included
- Sliding stainless steel cover for main ice bin liner
- Adjustable stainless steel bullet feet
- Ten circuit cold plate standard in main ice bin liner

Bar Fabrication - Signature

Patented. For more information visit:  
<https://www.glastender.com/patents>



Bar Fabrication - Signature

**PRODUCT INFORMATION**

(see SH Spec Sheet for complete details)

**STANDARD FEATURES**

- All stainless steel construction
- Designed to house the manifold of Wunder-Bar® or Schroeder America™ 8 to 14 button soda guns
- Includes integral drip pan with radius corners for easy cleaning
- Built-in holder for soda gun
- Top cover is removable for access to the soda manifold
- Allows you to dictate the soda gun location
- Eliminates the need for tubing bundles above the work surface
- Designed to mount to at least one other piece of underbar equipment (there is no provision for leg mounting)
- Includes camlock in backsplash for mounting to adjacent underbar
- Extra deep “-ED” models available to align with extra-deep style ice bins

\*NOTE: These items are manufactured to order and are not returnable

**19" DEEP SODA GUN HOLDERS**

MODEL	LIST	LENGTH	WEIGHT
SHA-4	\$917	4"	22#
SHA-4-ED	\$974	4"	24#
SHA-6	\$958	6"	25#
SHA-6-ED	\$1,023	6"	27#

**24" DEEP SODA GUN HOLDERS**

MODEL	LIST	LENGTH	WEIGHT
SHB-4	\$972	4"	22#
SHB-4-ED*	\$1,040	4"	24#
SHB-6	\$1,015	6"	25#
SHB-6-ED*	\$1,092	6"	27#

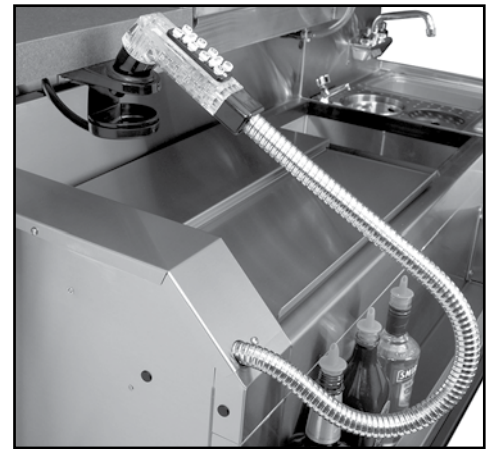
**38" DEEP PASS THRU SODA GUN HOLDERS**

MODEL	LIST	LENGTH	WEIGHT
SHP-4*	\$1,465	4"	32#
SHP-4-ED*	\$1,564	4"	34#
SHP-6*	\$1,552	6"	35#
SHP-6-ED*	\$1,658	6"	37#



SMHA-4

Installation photo showing soda gun drip cup mounted below bar top (soda gun and drip cup not included)



**PRODUCT INFORMATION**

(see SMH Spec Sheet for complete details)

**STANDARD FEATURES**

- Stainless steel construction
- Designed to house the manifold of Wunder-Bar® or Schroeder America™ 8 to 14 button soda guns
- Once installed, the top of the housing is 34" high
- Top cover is removable for access to the soda manifold
- Eliminates the need for tubing bundles above the work surface
- Mounts to an adjacent piece of underbar (there is no provision for leg mounting)
- The soda gun drip cup supplied by the soda gun manufacturer mounts to the underside of your bar top
- Extra deep "-ED" models available to align with extra-deep style ice bins

**19" DEEP SODA MANIFOLD HOUSING**

MODEL	LIST	LENGTH	WEIGHT
SMHA-4	\$676	4"	20#
SMHA-4-ED*	\$720	4"	22#
SMHA-6*	\$721	6"	23#
SMHA-6-ED*	\$770	6"	25#

**24" DEEP SODA MANIFOLD HOUSING**

MODEL	LIST	LENGTH	WEIGHT
SMHB-4*	\$740	4"	24#
SMHB-4-ED*	\$797	4"	26#
SMHB-6*	\$792	6"	28#
SMHB-6-ED*	\$851	6"	30#

**38" DEEP PASS THRU MANIFOLD HOUSING**

MODEL	LIST	LENGTH	WEIGHT
SMHP-4*	\$1,092	4"	35#
SMHP-4-ED*	\$1,182	4"	37#
SMHP-6*	\$1,170	6"	40#
SMHP-6-ED*	\$1,266	6"	42#

\*NOTE: These items are manufactured to order and are not returnable

Bar Fabrication - Signature

**Undercounter Mount Gun Holder**



UMGH

**PRODUCT INFORMATION**  
(see UMGH Spec Sheet for complete details)



14 gauge stainless steel with rubber grommet and plastic drip pan. Grommet is specially sized to properly hold both Wunder-Bar® and Schroeder America™ style soda guns. Includes 10' of drain line tube.

**UNDERCOUNTER MOUNT GUN HOLDER**

MODEL	LIST	WEIGHT
UMGH	\$174	3#

## PRODUCT INFORMATION

(see BW Spec Sheet for complete details)

Bottle Wells are PVC plastic-molded bottle holders that are placed in an ice bin to hold ice-chilled mix-ingredient pour and store bottles. There are two sizes of wells: 3 bottle for 19" deep ice bins and four bottle for 24" deep ice bins. The 3 bottle notched model is used with the IB-38x24 pass-thru ice bin.

A bottle well may be placed on one or both sides of an ice bin and is designed with a special ledge on one side to hold a sliding ice bin cover. When bottle wells are ordered with an original ice bin, the correct, smaller-sliding ice bin cover is automatically provided.

For three bottles stored on one side of a 19" deep ice bin, order one model number BW3. For three bottles stored on both sides of a 19" deep ice bin, order a quantity of two BW3.

For four bottles stored on one side of a 24" deep ice bin, order one model number BW4. For four bottles stored on both sides of a 24" deep ice bin, order a quantity of two BW4.



BW3  
(Positioned Left)

BW3  
(Positioned Right)

MODEL	DESCRIPTION	LIST	WEIGHT
BW3	3 bottle well for 19" deep ice bin	\$81	4#
BW3-2	2 - 3 bottle wells for 19" deep ice bin	\$162	8#
BW3-N	3 bottle well with notch for IB-38x24 ice bin	\$123	4#
BW4	4 bottle well for 24" deep ice bin	\$148	5#
BW4-2	2 - 4 bottle wells for 24" deep ice bin	\$296	10#

## Bottle Racks

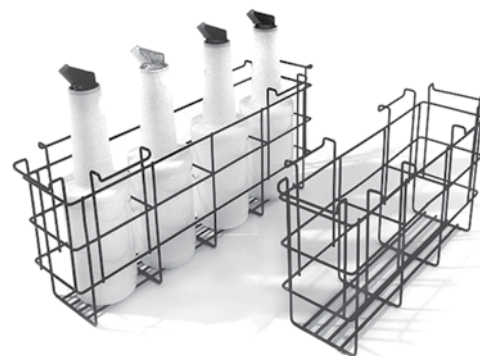
Pricing effective January 1, 2026

### BR3 AND BR4 PRODUCT INFORMATION

(see BR Spec Sheet for complete details)

BR3 and BR4 bottle racks are vinyl-coated wire racks that are placed in an ice bin to hold ice-chilled mix-ingredient pour and store bottles. There are two sizes of wire racks: 3 bottle for 19" deep ice bins and four bottle for 24" deep ice bins.

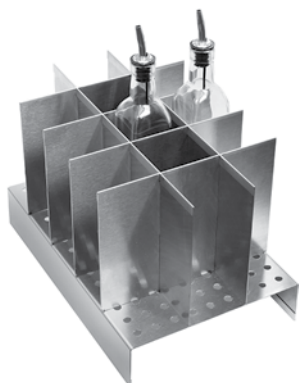
The BR3 and BR4 are intended for use with smaller ice bins, where the sole purpose of the ice bin is to provide insulated storage for pour and store bottles. Bottle racks are most often used with 6" or 12" wide ice bins, which hold one or two racks, respectively. For example, an IBA-6 ice bin holds one BR3, while an IBA-12 ice bin holds two BR3.



BR4  
(Bottles not included)

BR3

MODEL	DESCRIPTION	LIST	WEIGHT
BR3	3 bottle rack for 19" deep ice bin	\$77	3#
BR4	4 bottle rack for 24" deep ice bin	\$94	4#



BRM15  
(Bottles not included)

### BRM15 PRODUCT INFORMATION

(see BRM Spec Sheet for complete details)

The BRM15 stainless steel mixology bottle rack fits into an IBA-12 model ice bin or the bottle well of a CBA model combo ice bin to provide ice-chilled storage for 15 elixir bottles. NOTE: Recommend Tablecraft 916 (16 oz.) or 9085 (8.5 oz.) olive oil bottles.

MODEL	DESCRIPTION	LIST	WEIGHT
BRM15	Mixology bottle rack, 15 bottle, 3" by 3" openings	\$395	3#



SSR-24

### SINGLE SPEED RAILS

MODEL	LIST	LENGTH	WEIGHT
SSR-12	\$264	12"	4#
SSR-13 to 18	\$290	13" to 18"	6#
SSR-19 to 24	\$318	19" to 24"	7#
SSR-25 to 30	\$343	25" to 30"	10#
SSR-31 to 36	\$369	31" to 36"	12#
SSR-37 to 42	\$395	37" to 42"	18#
SSR-43 to 48	\$424	43" to 48"	22#
SSR-49 to 54	\$619	49" to 54"	25#
SSR-55 to 60	\$649	55" to 60"	28#
SSR-61 to 66	\$676	61" to 66"	32#
SSR-67 to 72	\$701	67" to 72"	35#
SSR-73 to 78	\$729	73" to 78"	38#
SSR-79 to 84	\$757	79" to 84"	42#



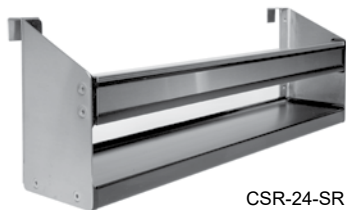
DSR-54



DSR-24

### DOUBLE SPEED RAILS

MODEL	LIST	LENGTH	WEIGHT
DSR-12	\$524	12"	8#
DSR-13 to 18	\$575	13" to 18"	12#
DSR-19 to 24	\$619	19" to 24"	14#
DSR-25 to 30	\$672	25" to 30"	20#
DSR-31 to 36	\$724	31" to 36"	24#
DSR-37 to 42	\$777	37" to 42"	36#
DSR-43 to 48	\$836	43" to 48"	44#
DSR-49 to 54	\$1,115	49" to 54"	50#
DSR-55 to 60	\$1,155	55" to 60"	56#
DSR-61 to 66	\$1,218	61" to 66"	64#
DSR-67 to 72	\$1,269	67" to 72"	70#
DSR-73 to 78	\$1,321	73" to 78"	76#
DSR-79 to 84	\$1,372	79" to 84"	84#



CSR-24-SR

### CLIP-ON SINGLE SPEED RAILS

MODEL	DESCRIPTION	LIST	WEIGHT
CSR-12-SR	12" Clip-on single to existing single	\$307	4#
CSR-18-SR	18" Clip-on single to existing single	\$335	6#
CSR-24-SR	24" Clip-on single to existing single	\$363	7#
CSR-30-SR	30" Clip-on single to existing single	\$390	10#
CSR-36-SR	36" Clip-on single to existing single	\$418	12#
CSR-42-SR	42" Clip-on single to existing single	\$445	15#
CSR-48-SR	48" Clip-on single to existing single	\$473	18#

Locking covers for Single Speed Rails include built-in storage hangers when ordered with original equipment



Built-in storage hangers

SSRC-36 in storage below speed rail

### SINGLE SPEED RAIL LOCKING COVERS

MODEL	LIST	LENGTH	WEIGHT
SSRC-12	\$349	12"	7#
SSRC-13 to 18	\$376	13" to 18"	9#
SSRC-19 to 24	\$403	19" to 24"	11#
SSRC-25 to 30	\$435	25" to 30"	13#
SSRC-31 to 36	\$456	31" to 36"	16#
SSRC-37 to 42	\$481	37" to 42"	18#
SSRC-43 to 48	\$509	43" to 48"	21#

### DOUBLE SPEED RAIL LOCKING COVERS

MODEL	LIST	LENGTH	WEIGHT
DSRC-12	\$698	12"	14#
DSRC-13 to 18	\$752	13" to 18"	18#
DSRC-19 to 24	\$806	19" to 24"	22#
DSRC-25 to 30	\$870	25" to 30"	26#
DSRC-31 to 36	\$912	31" to 36"	32#
DSRC-37 to 42	\$962	37" to 42"	36#
DSRC-43 to 48	\$1,018	43" to 48"	42#

### PRODUCT INFORMATION

(see SSR, CSR, and DSR Spec Sheets for complete details)

#### STANDARD FEATURES

- All stainless steel construction
- Open channel-and-rail design for easy cleaning and better view of bottles
- PVC sound deadening covers
- Locking covers for Single Speed Rails include built-in storage hangers when ordered with original equipment
- Each rail includes a clear lift-off liquor-identification cover
- Radius corners for easy cleaning

Bar Fabrication - Signature

**All faucets are certified low lead compliant**

**Bar Fabrication - Signature**



BSB-18



DBSB-18



BSA-18-RF



DBSA-12-RF

**Rinser faucet installation notes:**

- Important: Unit must be installed in conformance with applicable federal, state, and local plumbing codes, including adequate backflow when required.
- Must install backflow prevention device conforming to ANSI/ASSE 1022 or ANSI/ASSE 1024 to meet plumbing code (not included).
- Install in-line water regulator (included).
- A separate shut-off valve is recommended (not included).

Blender stations cannot have a speed rail mounted to them. Since speed rails are so common on underbar, blender stations come in 24" and 29" depths and are designed to align with underbar that has a speed rail.

**⚠️WARNING:** The plastic wet waste strainer included with this product can expose you to chemicals including Bisphenol A (BPA), which is known to the State of California to cause birth defects or other reproductive harm. For more information, go to [www.P65Warnings.ca.gov](http://www.P65Warnings.ca.gov). **Part #03000483**  
**Warning applies to State of California only.**

Blender Stations come standard with a sink, faucet, and wet waste strainer. Drainboard Blender Stations come standard with a drainboard work surface consisting of a drain pan with separate removable perforated insert. The integral blender shelf is 9" deep on the 24" deep models and 10" deep on 29" models. The shelf stores the blender at the 19" high level. A grommetted cord access hole is provided in the front skirt.

**24" DEEP BLENDER STATIONS**

(Aligns with 19" deep underbar that has a single speed rail)

MODEL	LIST	LENGTH	WEIGHT
BSA-12	\$2,443	12"	48#
BSA-14	\$2,416	14"	50#
BSA-18L †*	\$2,514	18"	55#
BSA-18R †*	\$2,514	18"	55#

† Denotes faucet location as Left or Right

**24" DEEP BLENDER STATION WITH RINSER FAUCET**

(Aligns with 19" deep underbar that has a single speed rail)

MODEL	LIST	LENGTH	WEIGHT
BSA-18-RF*	\$3,191	18"	60#

**29" DEEP BLENDER STATIONS**

(Aligns with 24" deep underbar that has a single speed rail or 19" deep underbar that has a double speed rail)

MODEL	LIST	LENGTH	WEIGHT
BSB-12*	\$2,609	12"	53#
BSB-14*	\$2,688	14"	55#
BSB-18*	\$2,829	18"	60#

**24" DEEP DRAINBOARD BLENDER STATIONS**

(Aligns with 19" deep underbar that has a single speed rail)

MODEL	LIST	LENGTH	WEIGHT
DBSA-12*	\$1,610	12"	40#
DBSA-14*	\$1,650	14"	42#
DBSA-18*	\$1,690	18"	45#
DBSA-24*	\$1,838	24"	55#

**24" DEEP DRAINBOARD BLENDER STATIONS WITH RINSER FAUCET**

(Aligns with 19" deep underbar that has a single speed rail)

MODEL	LIST	LENGTH	WEIGHT
DBSA-12-RF*	\$2,124	12"	45#
DBSA-14-RF*	\$2,178	14"	47#
DBSA-18-RF*	\$2,273	18"	50#

**29" DEEP DRAINBOARD BLENDER STATIONS**

(Aligns with 24" deep underbar that has a single speed rail or 19" deep underbar that has a double speed rail)

MODEL	LIST	LENGTH	WEIGHT
DBSB-12*	\$1,626	12"	45#
DBSB-14*	\$1,667	14"	47#
DBSB-18*	\$1,769	18"	50#

\*NOTE: These items are manufactured to order and are not returnable

**PRODUCT INFORMATION**

(see BS and DBS Spec Sheets for complete details)

**STANDARD FEATURES**

- All stainless steel construction
- Adjustable stainless steel bullet feet
- Sink models feature a 9-1/4" by 11-1/2" by 6" deep sink bowl, a lift-out plastic perforated sink strainer and a hot and cold water faucet
- Drainboard models feature drainboard work surface consisting of drain pan with separate removable perforated insert
- "-RF" models include a rinsing faucet for rinsing blender cups
- 24" deep models have a 9" deep shelf
- 29" deep models have a 10" deep shelf
- Junction box for duplex outlet mounted underneath blender shelf (outlet not included)

Optional foot-operated faucets



- FOF-B**
- BSA-12
  - BSA-18-RF
  - BSB-12

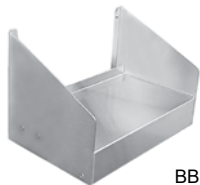
- FOF-D**
- BSA-14
  - BSA-18-L
  - BSA-18-R
  - BSB-14
  - BSB-18

**CONFIGURABLE OPTIONS**

<u>MODEL</u>	<u>DESCRIPTION</u>	<u>LIST</u>	<u>WT</u>
LS15-F	15" D left side splash (BSA models)	\$189	4#
RS15-F	15" D right side splash (BSA models)	\$189	4#
LS15-D	15" D left side splash (DBSA models)	\$189	4#
RS15-D	15" D right side splash (DBSA models)	\$189	4#
LSA-D	19" deep left side splash (BSB & DBSB models)	\$189	4#
RSA-D	19" deep right side splash (BSB & DBSB models)	\$189	4#
LSRF	Left side splash (-RF models)	\$189	4#
RSRF	Right side splash (-RF models)	\$189	4#
FOF-B	Convert to foot-operated backsplash faucet for BSA-12, BSA-18-RF, and BSB-12 models	\$697	3#
FOF-D	Convert to foot-operated deck faucet for BSA-14, BSA-18L, BSA-18R, BSB-14, and BSB-18 models	\$532	3#

**ACCESSORY**

<u>MODEL</u>	<u>DESCRIPTION</u>	<u>LIST</u>	<u>WT</u>
TR	Towel ring	\$25	1#



BBS-12

Additional blender shelf space can be added to standard underbar units by specifying a Bolt-on Blender Shelf. Bolt-on Blender Shelves are 10" deep and include a junction box for duplex outlet (outlet not included) mounted below the shelf.

**BOLT-ON BLENDER SHELVES**

<u>MODEL</u>	<u>DESCRIPTION</u>	<u>LIST</u>	<u>WT</u>
BBS-8	8" bolt-on blender shelf	\$361	8#
BBS-12	12" bolt-on blender shelf	\$379	12#
BBS-14	14" bolt-on blender shelf	\$387	14#
BBS-16	16" bolt-on blender shelf	\$402	16#
BBS-18	18" bolt-on blender shelf	\$412	18#
BBS-24	24" bolt-on blender shelf	\$446	28#
BBS-30	30" bolt-on blender shelf	\$474	36#



TR



DBA-18 with optional SSR-18

The work surface of a Glastender drainboard consists of a 1" deep sloped stainless steel drain pan with a separate removable perforated insert. The 1" high perforated insert allows air circulation beneath the glassware, and since the pan is sloped and not the insert, all glassware is stored on a level plane.

NOTE: Drainboards are also available with a flat stainless steel fillerboard top in lieu of the drainboard top. Substitute an 'F' for the 'D' in the model number when ordering and use the same price. Fillerboards are manufactured to order and are not returnable.

**PRODUCT INFORMATION**

(see DB Spec Sheet for complete details)

**STANDARD FEATURES**

- All stainless steel construction
- Adjustable stainless steel bullet feet
- 24" deep models provide a larger drainboard storage area, not just a deck extension on the back of the 19" deep model
- One-piece seamless top, front rail and backsplash
- Work surface consists of a drain pan and separate perforated insert for better air circulation
- All storage is on level plane

**19" DEEP DRAINBOARDS**

MODEL	LIST	LENGTH	WEIGHT
DBA-12	\$1,212	12"	45#
DBA-18	\$1,346	18"	50#
DBA-24	\$1,490	24"	55#
DBA-30	\$1,635	30"	60#
DBA-36	\$1,760	36"	65#
DBA-42*	\$1,891	42"	70#
DBA-48*	\$2,025	48"	75#

**24" DEEP DRAINBOARDS**

MODEL	LIST	LENGTH	WEIGHT
DBB-12	\$1,317	12"	50#
DBB-18	\$1,483	18"	55#
DBB-24	\$1,646	24"	60#
DBB-30	\$1,813	30"	65#
DBB-36*	\$1,956	36"	70#
DBB-42*	\$2,113	42"	80#
DBB-48*	\$2,272	48"	85#

\*NOTE: These items are manufactured to order and are not returnable

**ACCESSORIES**

MODEL	DESCRIPTION	LIST	WEIGHT
SSR-12	12" single speed rail	\$264	4#
SSR-18	18" single speed rail	\$290	6#
SSR-24	24" single speed rail	\$318	7#
SSR-30	30" single speed rail	\$343	10#
SSR-36	36" single speed rail	\$369	12#
SSR-42	42" single speed rail	\$395	18#
SSR-48	48" single speed rail	\$424	22#
DSR-12	12" double speed rail	\$524	8#
DSR-18	18" double speed rail	\$575	12#
DSR-24	24" double speed rail	\$619	14#
DSR-30	30" double speed rail	\$672	20#
DSR-36	36" double speed rail	\$724	24#
DSR-42	42" double speed rail	\$777	36#
DSR-48	48" double speed rail	\$836	44#



DSR-24



SSR-24

Recessed drainboards have the same drain pan with separate perforated insert design as normal drainboards, except the work surface has been lowered to allow stacking of glassware. A perforated shelf is placed on top of the first level of glassware and a second layer of glassware is stacked on top of it. Recessed drainboards work best when only one style of glassware is being stored.

Recessed drainboards cannot have a speed rail mounted to them. Since speed rails are so common on underbar, recessed drainboards have been designed to align with underbar that has a speed rail. The four different recessed drainboard styles are based on the four different equipment-mounting situations.



RDBA-18S



RDBB-18 with DHSB-12 attached left

**24" DEEP RECESSED DRAINBOARDS**

(Aligns with 19" deep underbar that has a single speed rail)

MODEL	LIST	LENGTH	WEIGHT
RDBA-12S	\$1,442	12"	50#
RDBA-18S	\$1,627	18"	55#
RDBA-24S	\$1,829	24"	60#
RDBA-30S	\$2,014	30"	65#

**24" DEEP RECESSED DRAINBOARDS**

(Aligns with 24" deep underbar that has no speed rail)

MODEL	LIST	LENGTH	WEIGHT
RDBB-12	\$1,442	12"	50#
RDBB-18	\$1,627	18"	55#
RDBB-24	\$1,829	24"	60#
RDBB-30	\$2,014	30"	65#



RDBA-18D

\*NOTE: Recessed Drainboards are manufactured to order and are not returnable



RDBB-18S

**29" DEEP RECESSED DRAINBOARDS\***

(Aligns with 19" deep underbar that has a double speed rail)

MODEL	LIST	LENGTH	WEIGHT
RDBA-12D	\$1,598	12"	60#
RDBA-18D	\$1,808	18"	65#
RDBA-24D	\$2,056	24"	70#
RDBA-30D	\$2,265	30"	75#

**29" DEEP RECESSED DRAINBOARDS\***

(Aligns with 24" deep underbar that has a single speed rail)

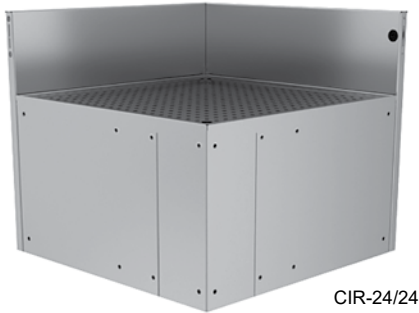
MODEL	LIST	LENGTH	WEIGHT
RDBB-12S	\$1,598	12"	60#
RDBB-18S	\$1,808	18"	65#
RDBB-24S	\$2,056	24"	70#
RDBB-30S	\$2,265	30"	75#

Bar Fabrication - Signature

Corner drainboards are used when an underbar line-up turns, either 90° or less. The direction of the turn may be toward or away from the bartender. A turn that is toward the bartender requires an inside corner. A turn that is away from the bartender requires an outside corner. Corner drainboards are constructed using the same drain pan with separate removable perforated-insert design as all Glastender drainboards.

### PRODUCT INFORMATION

(see CIR Spec Sheet for complete details)



CIR-24/24

\*NOTE: These items are manufactured to order and are not returnable

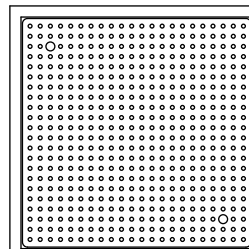
Corner Inside Rectangle Drainboards are for 90° inside turns only. The dimensions of the corner are specified in the model number. If the dimensions of each side are not the same, the longest dimension is specified second along with its location.

Corner drainboards are designed to mount between two pieces of underbar. However, corner drainboards can be used to mount between any two stable vertical surfaces. Corners should not be mounted to objects that are mobile or on casters.

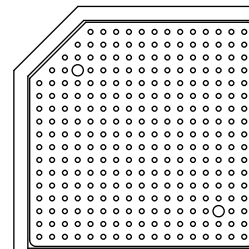
Because they are intended to mount between two vertical surfaces, corner drainboards do not come with legs. If one side of the corner does not have a vertical surface on which to mount, then a leg set must be ordered as an accessory.

### PLAN VIEWS

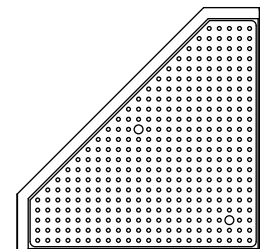
CIR-24/24



CIR-24/24-N



CIR-24/24-LN



### CORNER INSIDE RECTANGLE DRAINBOARDS

MODEL	LIST	LEFT	RIGHT	WEIGHT
CIR-19/19*	\$1,308	19"	19"	40#
CIR-19/24L	\$1,395	24"	19"	45#
CIR-19/24R	\$1,395	19"	24"	45#
CIR-19/30L*	\$1,498	30"	19"	50#
CIR-19/30R*	\$1,498	19"	30"	50#
CIR-24/24	\$1,495	24"	24"	50#
CIR-24/30L	\$1,617	30"	24"	60#
CIR-24/30R	\$1,617	24"	30"	60#

### CORNER INSIDE RECTANGLE DRAINBOARDS WITH CHAMFERED BACK CORNER

MODEL	LIST	LEFT	RIGHT	WEIGHT
CIR-19/19-N*	\$1,355	19"	19"	40#
CIR-24/24-N*	\$1,543	24"	24"	50#
CIR-24/24-LN*	\$1,595	24"	24"	50#

# Corner Inside and Outside L Shape Drainboards\*

Pricing effective January 1, 2026

### PRODUCT INFORMATION

(see CILB and COLB Spec Sheets for complete details)



CILB



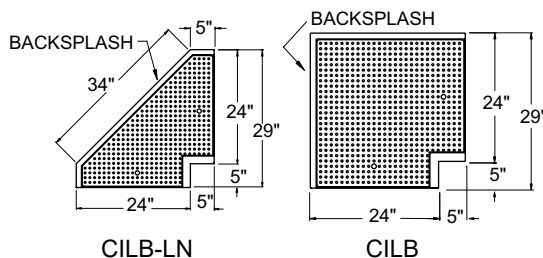
COLB

### CORNER INSIDE & OUTSIDE L SHAPE DRAINBOARDS\*

MODEL	LIST	DEPTH	TURN	WEIGHT
CILB	\$1,925	24"	Inside	50#
COLB	\$1,933	24"	Outside	60#
CILB-LN	\$1,940	24"	Inside	50#
COLB-LN	\$1,829	24"	Outside	55#

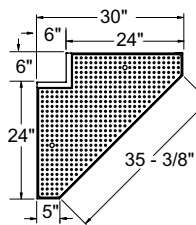
Corner Inside and Outside L Shape Drainboards are for 90° inside or outside turns. They are designed to align with 24" deep underbar.

### PLAN VIEWS

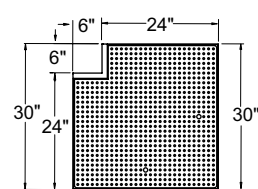


CILB-LN

CILB



COLB-LN

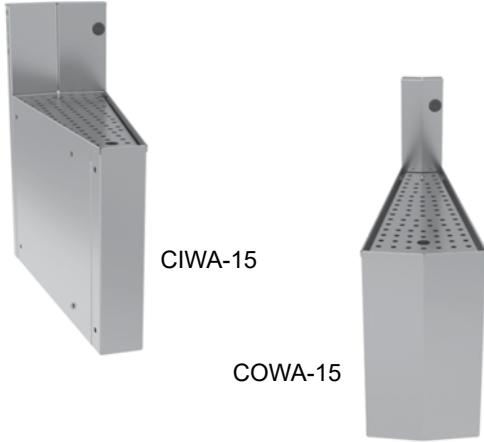


COLB

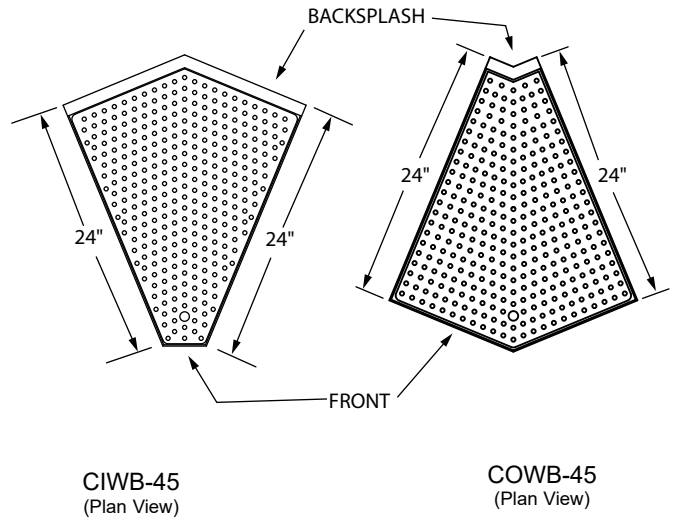
Corner Inside and Outside Wedge Drainboards are for 75° and smaller inside and outside turns. They are designed to align with 19" or 24" deep underbar.

### PRODUCT INFORMATION

(see CIW and COW Spec Sheets for complete details)



### Sample Corner Inside and Outside Wedge Drainboard Plan Views



19" DEEP CORNER WEDGE DRAINBOARDS*				
MODEL	LIST	DEGREE	TURN	WEIGHT
CIWA-75	\$1,682	75°	Inside	45#
COWA-75	\$1,770	75°	Outside	45#
CIWA-60	\$1,469	60°	Inside	40#
COWA-60	\$1,515	60°	Outside	40#
CIWA-45	\$1,297	45°	Inside	36#
COWA-45	\$1,304	45°	Outside	36#
CIWA-30	\$1,162	30°	Inside	33#
COWA-30	\$1,142	30°	Outside	33#
CIWA-15	\$1,066	15°	Inside	30#
COWA-15	\$1,028	15°	Outside	30#
CIWA-10**	\$564	10°	Inside	27#
CIWA-5**	\$546	5°	Inside	25#

24" DEEP CORNER WEDGE DRAINBOARDS*				
MODEL	LIST	DEGREE	TURN	WEIGHT
CIWB-75	\$2,046	75°	Inside	50#
COWB-75	\$2,167	75°	Outside	50#
CIWB-60*	\$1,730	60°	Inside	45#
COWB-60	\$1,809	60°	Outside	45#
CIWB-45	\$1,507	45°	Inside	40#
COWB-45	\$1,514	45°	Outside	40#
CIWB-30	\$1,310	30°	Inside	37#
COWB-30	\$1,286	30°	Outside	37#
CIWB-25	\$1,257	25°	Inside	37#
CIWB-20	\$1,207	20°	Inside	35#
CIWB-15	\$1,158	15°	Inside	35#
COWB-15	\$1,126	15°	Outside	35#
CIWB-10**	\$598	10°	Inside	27#
CIWB-5**	\$573	5°	Inside	25#

\*NOTE: These items are manufactured to order and are not returnable  
 \*\*NOTE: 5° and 10° models have a flat fillerboard top

### Does your Corner Drainboard need a leg set?

Corner drainboards are designed to be attached between two pieces of underbar, or two stable vertical surfaces and do not include legs. If attached to equipment or surface on only one side, a leg set for one-side mounting is needed. Some models can also be converted to freestanding using the applicable leg set. See table for applicable models.

CONFIGURABLE LEG SET OPTIONS		
APPLICABLE MODEL	DESCRIPTION	LIST
CILB and COLB	Leg set, one-side mounting	\$149
CILB and COLB	Leg set, freestanding	\$447
CIR	Leg set, one-side mounting	\$149
CIR	Leg set, freestanding (CIR-24/24-LN excluded)	\$447
CIWA and CIWB	Leg set, one-side mounting (5° and 10° models excluded)	\$149
COWA and COWB	Leg set, one-side mounting	\$149
NOTE: CIWA/B and COWA/B models cannot be freestanding		

Bar Fabrication - Signature

Glassracks are designed to hold three racks of glassware: one on the bottom shelf and one on each of the two adjustable glass rack slides. The 24" wide models hold 20" by 20" racks and the 18" wide models hold the 16" round racks used with the Glastender GT-18 glasswashers.

**PRODUCT INFORMATION**

(see GR Spec Sheet for complete details)

**STANDARD FEATURES**

- All stainless steel construction
- Adjustable stainless steel bullet feet
- Full bottom shelf with drain
- Two adjustable glass rack slides
- Storage for three (3) glassracks

\*NOTE: Glassracks are manufactured to order and are not returnable



GRB-24

**19" DEEP GLASSRACKS**

MODEL	LIST	LENGTH	WEIGHT
GRA-18	\$1,933	18"	60#
GRA-24	\$2,142	24"	70#

**24" DEEP GLASSRACKS**

MODEL	LIST	LENGTH	WEIGHT
GRB-18	\$2,161	18"	70#
GRB-24	\$2,381	24"	80#

Bar Fabrication - Signature

**Drainboard Glassracks**

Pricing effective January 1, 2026

Drainboard Glassracks have a stationary or roll-out bottom shelf, adjustable or roll-out intermediate shelf, and drainboard work surface. All models are 24" deep. The 24" wide models hold 20" by 20" racks and the 18" wide model holds the 16" round racks used with the Glastender GT-18 glasswashers. Since drainboard glassrack shelves are solid, they can be used for non-glassrack storage also. (If a 19" deep drainboard glassrack is required, please see 19" deep drainboard cabinets less doors on page 30)

**PRODUCT INFORMATION**

(see DBGR Spec Sheet for complete details)

**STANDARD FEATURES**

- All stainless steel construction
- Adjustable stainless steel bullet feet
- One-piece seamless top, front rail and backsplash
- DBGR-18 and DBGR-24 have bottom shelf and one adjustable intermediate shelf
- DBGR-24-RS has roll-out bottom shelf and one roll-out intermediate shelf (intermediate shelf is not adjustable)
- Solid shelves are also usable for non-glassrack storage
- Work surface consists of a drainboard top with drain pan and separate perforated insert for better air circulation
- Intermediate shelf is still removable after unit is plumbed
- Smooth interior walls for easy cleaning and a finished appearance



DBGR-24-RS  
(Glassrack not included)



DBGR-18

**24" DEEP DRAINBOARD GLASSRACKS**

MODEL	LIST	LENGTH	WEIGHT
DBGR-18	\$2,367	18"	80#
DBGR-24	\$2,616	24"	90#
DBGR-24-RS	\$3,828	24"	100#



DBCB-18

Drainboard Cabinets have a bottom shelf, adjustable intermediate shelf, and drainboard work surface. They are available with or without doors. The models with doors come with a lock standard. The 12", 18", and 24" wide models have one door and all other models have two doors.

NOTE: Drainboard Cabinets are also available with a flat stainless steel fillerboard top in lieu of the drainboard top. Substitute an 'F' for the 'D' in the model number when ordering and use the same price. Fillerboards cabinets are manufactured to order and are not returnable.

**PRODUCT INFORMATION**

(see DBC Spec Sheet for complete details)

**STANDARD FEATURES**

- All stainless steel construction
- Adjustable stainless steel bullet feet
- One-piece seamless top, front rail and backsplash
- One bottom shelf and one adjustable intermediate shelf
- Shelves are removable and feature radius corners for easy cleaning
- Available with or without doors
- Doors feature integral handle
- Lock standard on models with doors
- Work surface consists of a drainboard top with drain pan and separate perforated insert for better air circulation
- Floor and intermediate shelf are still removable after unit is plumbed
- Smooth interior walls for easy cleaning and a finished appearance

Bar Fabrication - Signature

**19" DEEP DRAINBOARD CABINETS**

MODEL	LIST	LENGTH	WEIGHT
DBCA-12*	\$2,511	12"	75#
DBCA-18*	\$2,831	18"	85#
DBCA-24*	\$3,152	24"	95#
DBCA-30*	\$3,545	30"	105#
DBCA-36*	\$3,865	36"	115#
DBCA-42*	\$4,187	42"	125#
DBCA-48*	\$4,510	48"	135#

**24" DEEP DRAINBOARD CABINETS**

MODEL	LIST	LENGTH	WEIGHT
DBCB-12	\$2,552	12"	85#
DBCB-18	\$2,891	18"	95#
DBCB-24	\$3,226	24"	105#
DBCB-30*	\$3,642	30"	115#
DBCB-36*	\$3,978	36"	125#
DBCB-42*	\$4,315	42"	135#
DBCB-48*	\$4,656	48"	145#

**19" DEEP DRAINBOARD CABINETS LESS DOORS**

MODEL	LIST	LENGTH	WEIGHT
DBCA-12-LD*	\$2,045	12"	60#
DBCA-18-LD*	\$2,272	18"	70#
DBCA-24-LD*	\$2,503	24"	80#
DBCA-30-LD*	\$2,732	30"	90#
DBCA-36-LD*	\$2,960	36"	100#
DBCA-42-LD*	\$3,191	42"	110#
DBCA-48-LD*	\$3,422	48"	120#

**24" DEEP DRAINBOARD CABINETS LESS DOORS**

MODEL	LIST	LENGTH	WEIGHT
DBCB-12-LD	\$2,117	12"	70#
DBCB-18-LD	\$2,367	18"	80#
DBCB-24-LD	\$2,616	24"	90#
DBCB-30-LD*	\$2,861	30"	100#
DBCB-36-LD*	\$3,109	36"	110#
DBCB-42-LD*	\$3,355	42"	120#
DBCB-48-LD*	\$3,607	48"	130#

\*NOTE: These items are manufactured to order and are not returnable



DBHA-18-LD

Bar Fabrication - Signature

**19" DEEP DRAINBOARD HALF CABINETS**

MODEL	LIST	DOOR	LENGTH	WEIGHT
DBHA-12	\$2,110	Yes	12"	50#
DBHA-18	\$2,384	Yes	18"	55#
DBHA-24	\$2,639	Yes	24"	60#
DBHA-12-LD	\$1,791	No	12"	40#
DBHA-18-LD	\$2,010	No	18"	45#
DBHA-24-LD	\$2,231	No	24"	50#

**24" DEEP DRAINBOARD HALF CABINETS**

MODEL	LIST	DOOR	LENGTH	WEIGHT
DBHB-12	\$2,124	Yes	12"	60#
DBHB-18	\$2,395	Yes	18"	65#
DBHB-24	\$2,676	Yes	24"	70#
DBHB-12-LD	\$1,838	No	12"	50#
DBHB-18-LD	\$2,075	No	18"	55#
DBHB-24-LD	\$2,110	No	24"	60#

\*NOTE: Drainboard Cabinets are manufactured to order and are not returnable

**PRODUCT INFORMATION**

(see DBH Spec Sheet for complete details)

**STANDARD FEATURES:** All stainless steel construction • Adjustable stainless steel bullet feet • One-piece seamless top, front rail and backsplash • Available with or without a door • Door features integral handle • Lock standard on models with a door • Work surface consists of a drainboard top with drain pan and separate perforated insert for better air circulation • Floor is still removable after unit is plumbed and includes radius corners for easy cleaning • Smooth interior walls for easy cleaning and a finished appearance

Drainboard Half Cabinets increase the available storage area yet are still on 16" legs allowing room for cleaning underneath. Drainboard Half Cabinets have a bottom shelf and drainboard work surface. They are available with or without a door (use suffix '-LD' for models without a door). The models with a door include a lock standard.

NOTE: Drainboard Half Cabinets are also available with a flat stainless steel fillerboard top in lieu of the drainboard top. Substitute an 'F' for the 'D' in the model number when ordering and use the same price.



ACB-18 (Shown without attached equipment)

**PRODUCT INFORMATION**

(see ACB Spec Sheet for complete details)

The Add-On Cabinet Base is designed to be installed beneath standard underbar equipment to provide additional storage • It can also enhance the look of your bar by eliminating the need to store loose items on the floor and making plumbing less visible • The Add-On Cabinet Base features a stainless steel floor that does not go all the way to the back of the cabinet, which provides an access opening for plumbing • The removable stainless steel floor has radius corners for easy cleaning • The interior walls are dual panel constructed for an easy to clean, smooth interior

\*NOTE: Add-On Cabinet Bases are manufactured to order and are not returnable

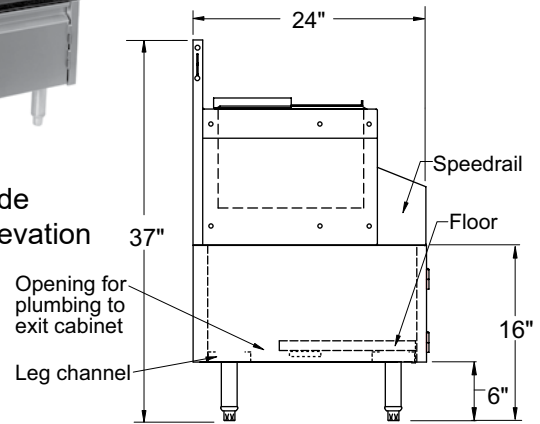
**ADD-ON CABINET BASES**

MODEL	LIST	DOOR	LENGTH	WEIGHT
ACB-12	\$1,249	One	12"	20#
ACB-14	\$1,261	One	14"	22#
ACB-16	\$1,272	One	16"	24#
ACB-18	\$1,303	One	18"	25#
ACB-20	\$1,331	One	20"	27#
ACB-22	\$1,361	One	22"	29#
ACB-24	\$1,595	Two	24"	30#
ACB-26	\$1,597	Two	26"	32#
ACB-28	\$1,627	Two	28"	32#
ACB-30	\$1,658	Two	30"	35#
ACB-32	\$1,688	Two	32"	37#
ACB-34	\$1,717	Two	34"	37#
ACB-36	\$1,748	Two	36"	40#
ACB-38	\$1,777	Two	38"	42#
ACB-40	\$1,823	Two	40"	42#
ACB-42	\$1,855	Two	42"	45#
ACB-44	\$1,885	Two	44"	47#
ACB-46	\$1,913	Two	46"	47#
ACB-48	\$1,945	Two	48"	50#



ACB-18 with LDA-18S attached

Side Elevation



Bar Fabrication - Signature

**PRODUCT INFORMATION**

(see PCB Spec Sheet for complete details)

Available in 18" and 24" lengths, POS Cabinets have a 26" high work surface to accommodate a cash drawer and POS monitor • A louvered door to ventilate the storage cabinet is standard • The work surface includes a grommeted cord access hole



PCB-24

**STANDARD FEATURES**

- All stainless steel construction with adjustable bullet feet
- One-piece, seamless top and backsplash
- Louvered door features integral handle
- Door lock standard
- Special 26" high work surface height to accommodate cash drawer and POS monitor
- Grommeted cord access hole in work surface
- Large access hole in back wall of unit
- Smooth interior walls for easy cleaning and a finished appearance

**24" DEEP POS CABINETS**

MODEL	LIST	LENGTH	WEIGHT
PCB-18	\$3,134	18"	75#
PCB-24	\$3,452	24"	85#



LSP & RSP Accessories (shown on PCB-24)

**POS CABINET ACCESSORIES\***

MODEL	DESCRIPTION	LIST	WEIGHT
LSP	Left side splash	\$189	4#
RSP	Right side splash	\$189	4#

\*NOTE: Verify cash drawer width before ordering side splash accessories

All faucets are certified low lead compliant

### PRODUCT INFORMATION

(see HS, DHS, SW, SW Cabinets, and FS12 Spec Sheets for complete details)

#### 19" DEEP HAND SINKS

MODEL	LIST	LENGTH	WEIGHT
HSA-12	\$2,098	12"	45#
HSA-18*	\$2,127	18"	50#
HSA-12-D	\$2,465	12"	50#
DHSA-18	\$2,926	18"	60#

#### 24" DEEP HAND SINKS

MODEL	LIST	LENGTH	WEIGHT
HSB-12	\$2,193	12"	50#
HSB-18*	\$2,300	18"	55#
HSB-12-D*	\$2,573	12"	55#
HSB-12-AD	\$2,622	12"	55#
DHSB-12	\$2,892	12"	60#
DHSB-12-C	\$3,669	12"	75#
DHSB-18	\$3,046	18"	70#



HSA-12

HSA-12-D

HSA-12-D with LSA-D and RSA-D

#### 19" DEEP WET WASTE SINKS

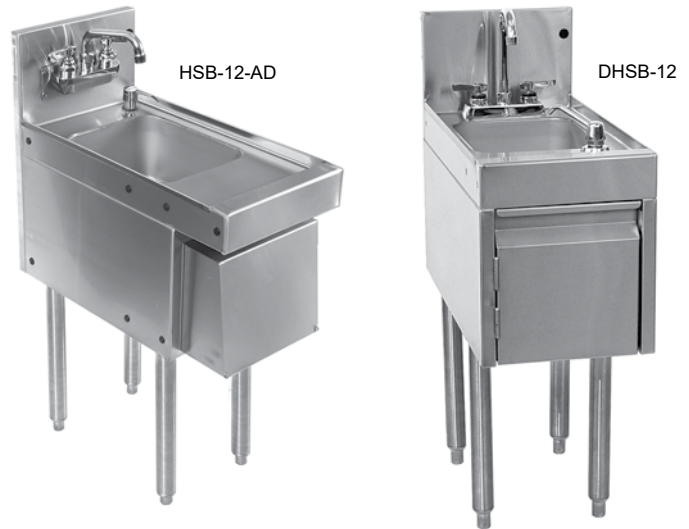
MODEL	LIST	LENGTH	WEIGHT
SWA-12	\$2,168	12"	47#
SWA-18*	\$2,197	18"	52#

#### 24" DEEP WET WASTE SINKS

MODEL	LIST	LENGTH	WEIGHT
SWB-12	\$2,263	12"	52#
SWB-18*	\$2,370	18"	57#

SWB-12

\*NOTE: These units are manufactured to order and are not returnable



HSB-12-AD

DHSB-12



LSA-D and RSA-D



FOF-B  
Optional foot-operated backplash faucet



KOF-D  
Optional knee-operated deck faucet



FOF-D  
Optional foot-operated deck faucet

NOTE: FOF and KOF - see table for applicable models

#### CONFIGURABLE OPTIONS

MODEL	DESCRIPTION	LIST	WEIGHT
LSA-D	19" deep left side splash	\$189	4#
RSA-D	19" deep right side splash	\$189	4#
LSB-D	24" deep left side splash	\$220	5#
RSB-D	24" deep right side splash	\$220	5#
FOF-B	Foot-operated backplash faucet for HSA-12, HSA-12-D, HSB-12-AD, FS12, SWA-12	\$697	3#
FOF-D	Foot-operated deck faucet for HSA-18, HSB-12, HSB-12-D, HSB-18, DHSA-18, DHSB-12, DHSB-18, SWB-12-C, SWB-18-DW, SWB-18-DB, SWB-24L-C, SWB-24R-C, SWA-18, SWB-12, SWB-18	\$532	3#
KOF-D	Knee-operated deck faucet for HSB-12, HSB-18, SWB-12, SWB-18	\$550	3#

**WARNING:** The plastic wet waste strainer included with this product can expose you to chemicals including Bisphenol A (BPA), which is known to the State of California to cause birth defects or other reproductive harm. For more information, go to [www.P65Warnings.ca.gov](http://www.P65Warnings.ca.gov).  
**Warning applies to State of California only.** Part #03000483

Bar Fabrication - Signature

All faucets are certified low lead compliant

**FS12 - Patented.**

For more information visit:

<https://www.glastender.com/patents>

FS12 - The Fusion Sink is a combination hand sink and wet waste sink. The tiered unit includes an upper hand sink with faucet and soap dispenser, a lower sink with lift-out perforated plastic wet waste strainer, and side splashes. The upper sink drains into the lower sink to help melt ice. A front-flush C-fold paper towel dispenser is included in the front skirt.

**24" DEEP MULTI-PURPOSE SINKS**

MODEL	LIST	LENGTH	WEIGHT
FS12	\$4,625	12"	75#
SWB-12-C	\$3,287	12"	75#
SWB-18-DW	\$3,681	18"	85#
SWB-18-DB	\$2,966	18"	65#
SWB-24L-C*	\$4,382	24"	105#
SWB-24R-C*	\$4,382	24"	105#

\*L = Sink Left, R = Sink Right



SWB-12-C - Includes a sink with faucet and lift-out perforated plastic wet waste strainer and cabinet base with hinged access door for storing up to three one-gallon chemical containers.



SWB-18-DW - Includes a sink with faucet and lift-out perforated plastic wet waste strainer, dry waste chute and cabinet base with hinged access door for storing a trash receptacle. A stainless (DWC) or plastic (03005391) trash receptacle is offered as a separate accessory.



SWB-18-DB - Tiered unit includes an upper drainboard deck for storing glassware and a lower sink with a faucet and lift-out perforated plastic wet waste strainer.



SWB-24L-C - Dual purpose work surface is half drainboard and half sink. Includes a faucet and lift-out perforated plastic wet waste strainer. The open-front cabinet base includes a center divider wall for storing up to three one-gallon chemical containers on one side and dry storage on the other.

Bar Fabrication - Signature



TR

†NOTE: Speed rails and dry waste rails cannot be mounted to models:

- HSA-12-D
- DHSA-18
- HSB-12-D
- HSB-12-AD
- DHSB-12
- DHSB-12-C
- DHSB-18
- SWB-12-C
- SWB-18-DW
- SWB-18-DB
- SWB-24L-C
- SWB-24R-C

◆NOTE: TD-C Paper towel dispenser cannot be mounted to models:

- SWB-12-C
- SWB-18-DW
- SWB-18-DB
- SWB-24L-C
- SWB-24R-C

**ACCESSORIES**

MODEL	DESCRIPTION	LIST	WEIGHT
SSR-12†	12" single speed rail	\$264	4#
SSR-18†	18" single speed rail	\$290	6#
DSR-12†	12" double speed rail	\$524	8#
DSR-18†	18" double speed rail	\$575	12#
03000483	Wet waste sink strainer	\$70	2#
TR	Towel ring	\$25	1#
DWR-12†	Dry waste rail	\$277	6#
03000511	Wrist handles (set of two)	\$59	2#
DWC	Trash receptacle, stainless steel	\$618	10#
03005491	Trash receptacle, 28½ qt, gray plastic	\$88	5#
TD-C◆	Paper towel dispenser, C-fold	\$338	5#
03001873	Liquid soap dispenser, hand-pump	\$98	1#
03014739	Aerator, faucet, 1.5 GPM	\$18	1#
03014738	Aerator, faucet, 0.5 GPM	\$18	1#
03014737	Aerator, faucet, 0.2 GPM	\$18	1#

**⚠WARNING:** The plastic wet waste strainer included with this product can expose you to chemicals including Bisphenol A (BPA), which is known to the State of California to cause birth defects or other reproductive harm. For more information, go to [www.P65Warnings.ca.gov](http://www.P65Warnings.ca.gov). **Part #03000483**  
**Warning applies to State of California only.**

**All faucets are certified low lead compliant**

## PRODUCT INFORMATION

(see DS, TS, and FS Spec Sheets for complete details)

- Compartment Sinks come in three different varieties: two, three, and four compartment
- They feature an exclusive one-piece 18 gauge stainless steel top that is seamless from the front rail all the way through the backsplash
- Each variety is offered with or without built-in drainboards on one or both sides of the sink compartment
- Drainboards, where included, are a seamless and integral part of the work surface
- The seamless welded bowls are 16 gauge fabricated stainless steel
- An 'L' or 'R' suffix in the model number designates the location of the sink compartment as left or right when there is only one drainboard
- FS models are available with 1 or 2 faucets\*\*

## STANDARD FEATURES

- All stainless steel construction and stainless steel bullet feet
- One-piece seamless top, front rail and backsplash
- 16 gauge stainless steel fabricated sink bowls
- 19" deep models have a backsplash mounted faucet
- Integral drainboards have lift-out stainless steel perforated insert
- Perforated stainless steel inserts are available to cover sinks when not in use
- Includes one overflow tube per bowl



## TWO COMPARTMENT SINKS WITH STAINLESS SINK SECTION

19" DEEP		24" DEEP		OVERALL LENGTH	SINK LOCATION	DRAINBOARD LENGTH	WEIGHT
MODEL	LIST	MODEL	LIST				
DSA-24-S*	\$3,723	DSB-24-S*	\$3,715	24"	Center	N/A	90#
DSA-36L-S*	\$4,055	DSB-36L-S*	\$4,083	36"	Left	12"	100#
DSA-36R-S*	\$4,055	DSB-36R-S*	\$4,083	36"	Right	12"	100#
DSA-48-S*	\$4,343	DSB-48-S*	\$4,476	48"	Center	2 @ 12"	110#

## THREE COMPARTMENT SINKS WITH STAINLESS SINK SECTION

19" DEEP		24" DEEP		OVERALL LENGTH	SINK LOCATION	DRAINBOARD LENGTH	WEIGHT
MODEL	LIST	MODEL	LIST				
TSA-36-S	\$4,305	TSB-36-S	\$4,334	36"	Center	N/A	110#
TSA-48L-S*	\$4,596	TSB-48L-S*	\$4,701	48"	Left	12"	120#
TSA-48R-S*	\$4,596	TSB-48R-S*	\$4,701	48"	Right	12"	120#
TSA-60-S	\$4,913	TSB-60-S	\$5,074	60"	Center	2 @ 12"	130#
TSA-60L-S*	\$4,913	TSB-60L-S*	\$5,074	60"	Left	24"	130#
TSA-60R-S*	\$4,913	TSB-60R-S*	\$5,074	60"	Right	24"	130#
TSA-66L-S*	\$5,036	TSB-66L-S*	\$5,230	66"	Left	30"	140#
TSA-66R-S*	\$5,036	TSB-66R-S*	\$5,230	66"	Right	30"	140#
TSA-72-S	\$5,171	TSB-72-S	\$5,378	72"	Center	2 @ 18"	145#
TSA-84-S*	\$5,529	TSB-84-S*	\$5,798	84"	Center	2 @ 24"	160#
TSA-96-S*	\$5,814	TSB-96-S*	\$6,148	96"	Center	2 @ 30"	175#

## FOUR COMPARTMENT SINKS WITH STAINLESS SINK SECTION

19" DEEP		24" DEEP		OVERALL LENGTH	SINK LOCATION	DRAINBOARD LENGTH	WEIGHT
MODEL	LIST**	MODEL	LIST**				
FSA-48-S*	\$5,290	FSB-48-S*	\$5,367	48"	Center	N/A	125#
FSA-60L-S*	\$5,586	FSB-60L-S*	\$5,720	60"	Left	12"	140#
FSA-60R-S*	\$5,586	FSB-60R-S*	\$5,720	60"	Right	12"	140#
FSA-66L-S*	\$5,729	FSB-66L-S*	\$5,897	66"	Left	18"	150#
FSA-66R-S*	\$5,729	FSB-66R-S*	\$5,897	66"	Right	18"	150#
FSA-72-S	\$5,906	FSB-72-S	\$6,066	72"	Center	2 @ 12"	155#
FSA-72L-S*	\$5,906	FSB-72L-S*	\$6,066	72"	Left	24"	155#
FSA-72R-S*	\$5,906	FSB-72R-S*	\$6,066	72"	Right	24"	155#
FSA-84-S*	\$6,241	FSB-84-S*	\$6,476	84"	Center	2 @ 18"	170#
FSA-96-S*	\$6,535	FSB-96-S*	\$6,819	96"	Center	2 @ 24"	185#

\*NOTE: These Compartment Sink Units are manufactured to order and are not returnable

\*\*NOTE: List price includes one (1) faucet. For two (2) faucets, add \$324 for FSA models and add \$290 for FSB models.

## ACCESSORIES

MODEL	DESCRIPTION	LIST	WGT
SSR-24	24" single speed rail	\$318	7#
SSR-36	36" single speed rail	\$369	12#
SSR-48	48" single speed rail	\$424	18#
SSR-60	60" single speed rail	\$649	28#
SSR-66	66" single speed rail	\$676	32#
SSR-72	72" single speed rail	\$701	35#
SSR-84	84" single speed rail	\$757	42#
DSR-24	24" double speed rail	\$619	14#
DSR-36	36" double speed rail	\$724	24#
DSR-48	48" double speed rail	\$836	44#
DSR-60	60" double speed rail	\$1,155	56#
DSR-66	66" double speed rail	\$1,218	64#
DSR-72	72" double speed rail	\$1,269	70#
DSR-84	84" double speed rail	\$1,372	84#
TR	Towel ring	\$25	1#
LWS	Large wet waste strainer	\$93	3#
DWR-12	Dry waste rail	\$277	6#
03002552	Sink cover, perforated for DSA or DSB	\$181	5#
03002553	Sink cover, perforated for TSA or TSB	\$271	8#
03002554	Sink cover, perforated for FSA or FSB	\$365	12#

Bar Fabrication - Signature

All faucets are certified low lead compliant

### MFS-12 MIXOLOGY UNIT\*

Includes 9-1/4" by 11-1/2" by 6" deep sink, backsplash-mounted faucet, lift-out perforated plastic sink strainer, and 8" by 11" securely mounted and easily removable cutting board.

MODEL	LIST	LTH	WGT
MFS-12	\$2,847	12"	55#

\*NOTE: This unit is manufactured to order and is not returnable

### MFT-8 MIXOLOGY UNIT

Includes 6" diameter mixology tool well with faucet, push-down rinser faucet, and 7-1/2" by 7-1/2" securely mounted and easily removable cutting board. NOTE: No legs. Must mount to adjacent underbar.

MODEL	LIST	LTH	WGT
MFT-8	\$2,865	8"	40#

### MFT-20 MIXOLOGY UNIT

Includes 9-1/4" by 11-1/2" by 6" deep sink, backsplash-mounted faucet, lift-out perforated plastic sink strainer, push-down rinser faucet, 6" diameter mixology tool well with faucet, 8" by 11" securely mounted and easily removable cutting board, and removable ice scoop well.

MODEL	LIST	LTH	WGT
MFT-20	\$4,695	20"	65#

### MRS-12 MIXOLOGY UNIT

Includes 9-1/4" by 11-1/2" by 6" deep sink, backsplash-mounted faucet, lift-out perforated plastic sink strainer, and push-down rinser faucet.

MODEL	LIST	LTH	WGT
MRS-12	\$2,898	12"	55#

### MTS-14 MIXOLOGY UNIT

Includes 9-1/4" by 11-1/2" by 6" deep sink, backsplash-mounted faucet, lift-out perforated plastic sink strainer, push-down rinser faucet, and 6" diameter mixology y tool well with faucet.

MODEL	LIST	LTH	WGT
MTS-14	\$4,285	14"	55#



Bar Fabrication - Signature

Rinser faucet installation notes:

- Important: Unit must be installed in conformance with applicable federal, state, and local plumbing codes, including adequate backflow when required.
- Must install backflow prevention device conforming to ANSI/ASSE 1022 or ANSI/ASSE 1024 to meet plumbing code (not included).
- Install in-line water regulator (included).
- A separate shut-off valve is recommended (not included).

**⚠ WARNING:** The plastic wet waste strainer included with this product can expose you to chemicals including Bisphenol A (BPA), which is known to the State of California to cause birth defects or other reproductive harm. For more information, go to [www.P65Warnings.ca.gov](http://www.P65Warnings.ca.gov). **Warning applies to State of California only.** Part #03000483

### CONFIGURABLE OPTIONS

MODEL	DESCRIPTION	LIST	WGT
LSM	Left side splash, MFS-12, MFT-8 or MFT-20	\$189	4#
RSM	Right side splash, MFS-12, MFT-8 or MFT-20	\$189	4#
LSB-D	Left side splash, MRS-12, MTS-14	\$220	5#
RSB-D	Right side splash, MRS-12, MTS-14	\$220	5#
FOF-B	Foot-operated backsplash faucet (MFT-8 excluded)	\$697	3#
KOF-B	Knee-operated backsplash faucet (MFT-8 excluded)	\$713	3#

**All faucets are certified low lead compliant**

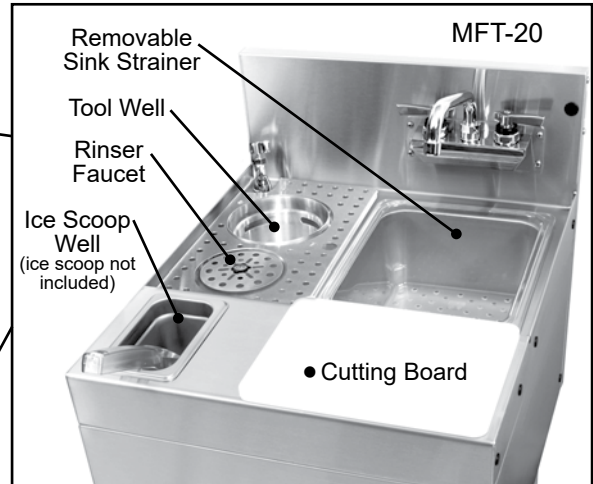
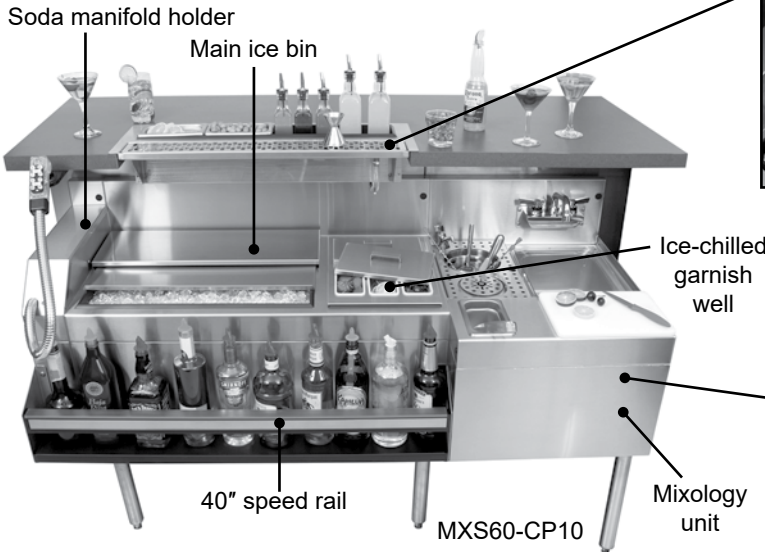
Mixology Stations include the following standard features:

- 4" soda manifold holder
- 24" main ice bin liner
- 12" garnish well
- Single speed rail
- 20" mixology unit

\*NOTE: Mixology stations are manufactured to order and are not returnable

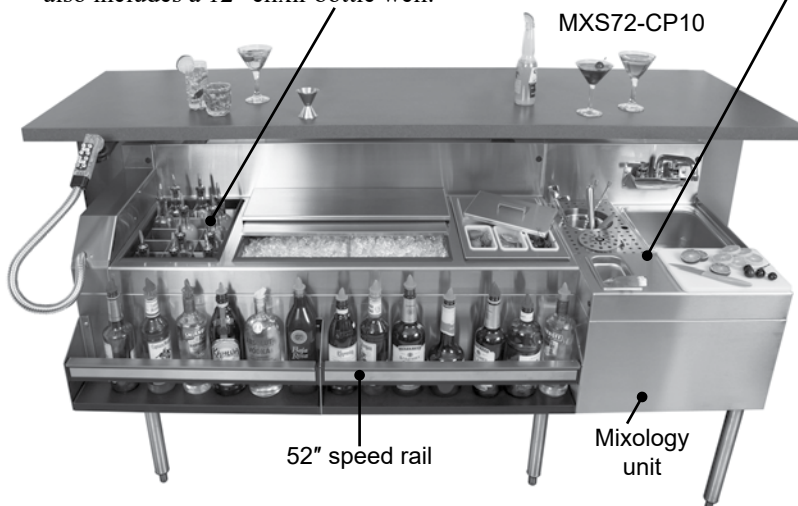


Drop-in mixology drink rail  
(See next page for drop-in mixology wells)



### What is different about the 72" mixology station?

The MXS72-CP10 mixology station is 12" longer, because it also includes a 12" elixir bottle well.



### PRODUCT INFORMATION

(see MXS Spec Sheet for complete details)

### STANDARD FEATURES

- All stainless steel construction
- Complete line up is flush at 24" deep to match adjacent underbar
- The SMHA-4 soda manifold housing is designed to house the manifold of Wunder-Bar® or Schroeder America™ 8 to 14 button soda guns
- The garnish well and ice bin are foamed-in-place insulated and include a PVC plastic breaker strip around the liner to prevent thermal transfer so ice lasts longer
- The ice bin includes a built-in ten circuit cold plate, sliding stainless steel cover, and stainless steel ice bin divider
- The garnish well provides ice-chilled storage for six pint-size (16 oz.) condiment cups and includes two lift-off stainless steel covers
- A single speed rail is included
- The MFT-20 model mixology unit includes a push-down rinser faucet to rinse shaker cans, a lift-out perforated plastic sink strainer, a 6" diameter seamless welded draining dipper well and faucet for mixology tools, an 8" x 11" cutting board that is securely mounted but easily removable for cleaning, and an ice scoop well
- The MXS72-CP10 model also includes an elixir bottle well with BRM15 stainless steel rack to hold 15 elixir bottles (NOTE: Recommend Tablecraft 916 (16 oz.) or 9085 (8.5 oz.) olive oil bottles)

### MIXOLOGY STATION

MODEL	LIST	LENGTH	WEIGHT
MXS60-CP10	\$12,521	60"	279#
MXS72-CP10	\$14,278	72"	322#

### Rinser faucet installation notes:

- Important: Unit must be installed in conformance with applicable federal, state, and local plumbing codes, including adequate backflow when required.
- Must install backflow prevention device conforming to ANSI/ASSE 1022 or ANSI/ASSE 1024 to meet plumbing code (not included).
- Install in-line water regulator (included).
- A separate shut-off valve is recommended (not included).

**WARNING:** The plastic wet waste strainer included with this product can expose you to chemicals including Bisphenol A (BPA), which is known to the State of California to cause birth defects or other reproductive harm. For more information, go to [www.P65Warnings.ca.gov](http://www.P65Warnings.ca.gov).  
**Warning applies to State of California only.** Part #03000483

Bar Fabrication - Signature

## PRODUCT INFORMATION

(see DI-MW Spec Sheet for complete details)

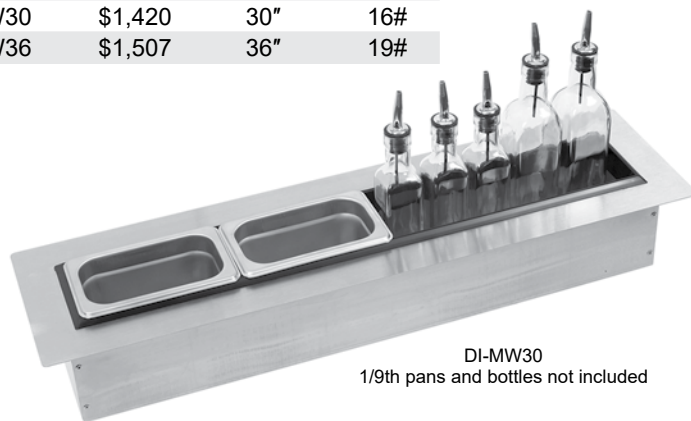
### STANDARD FEATURES:

- Stainless steel top and interior liner
- PVC plastic breaker strip around well liner: creates 5/16" raised edge around liner and acts as thermal barrier to prevent heat transfer
- Stainless steel exterior wrap
- 4" deep well liner is 3-5/8" front-to-back
- Designed to hold up to 3-1/2" wide bottles or 1/9th pans
- Installation kit includes: 10' of clear vinyl drain tube, five - 4" Ty-wraps, one - 1/2" PVC elbow, one - 1/2" nylon elbow, and one drainline splicer

\*NOTE: Drop-In Mixology Wells are manufactured to order and are not returnable

### DROP-IN MIXOLOGY WELLS

MODEL	LIST	LENGTH	WEIGHT
DI-MW24	\$1,339	24"	13#
DI-MW30	\$1,420	30"	16#
DI-MW36	\$1,507	36"	19#



DI-MW30  
1/9th pans and bottles not included

Pricing effective January 1, 2026

# Drop-In Mixology Drink Rails\*

## PRODUCT INFORMATION

(see DI-MDR Spec Sheet for complete details)

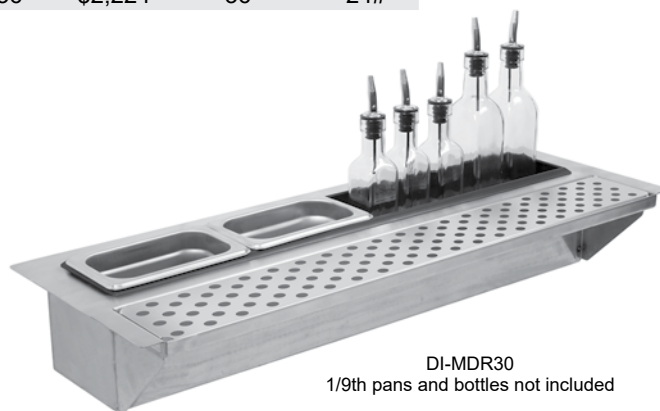
### STANDARD FEATURES

- Stainless steel top and interior liner
- PVC plastic breaker strip around ice bin liner: creates 5/16" raised edge around liner and acts as thermal barrier to prevent heat transfer
- One-piece top includes drain pan with removable perforated insert
- Stainless steel exterior wrap
- 4" deep well liner is 3-5/8" front-to-back
- Designed to hold up to 3-1/2" wide bottles or 1/9th pans
- Installation kit includes: 10' of clear vinyl drain tube, seven - 4" Ty-wraps, one - 1/2" PVC tee, one - 1/2" nylon elbow, and two drainline splicers

\*NOTE: Drop-In Mixology Drink Rails are manufactured to order and are not returnable

### DROP-IN MIXOLOGY DRINK RAILS

MODEL	LIST	LENGTH	WEIGHT
DI-MDR24	\$2,019	24"	16#
DI-MDR30	\$2,118	30"	20#
DI-MDR36	\$2,224	36"	24#



DI-MDR30  
1/9th pans and bottles not included

Pricing effective January 1, 2026

# Drop-In Drink Rails

## PRODUCT INFORMATION

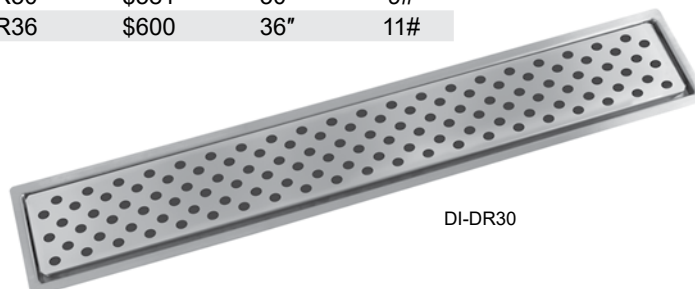
(see DI-DR Spec Sheet for complete details)

### STANDARD FEATURES:

- All stainless steel construction
- Available in 24", 30", or 36" lengths
- Drain is a 1/2" welded tailpiece that exits from the bottom of the unit
- Drain pan includes 1/2" flange
- Installation kit includes: 10' of clear vinyl drain tube, five - 4" Ty-wraps, and two - 1/2" plastic elbows

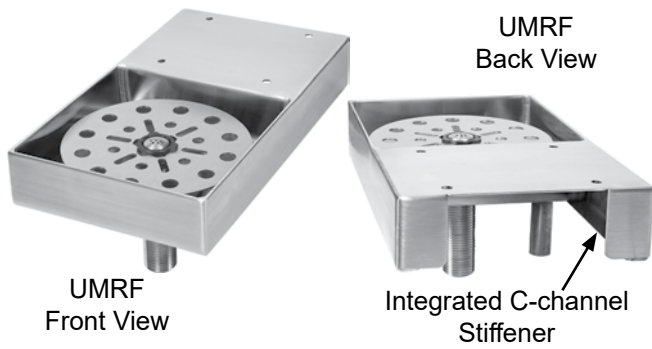
### DROP-IN DRINK RAILS

MODEL	LIST	LENGTH	WEIGHT
DI-DR24	\$559	24"	7#
DI-DR30	\$581	30"	9#
DI-DR36	\$600	36"	11#



DI-DR30

Bar Fabrication - Signature



## PRODUCT INFORMATION

(see UMRF Spec Sheet for complete details)

### STANDARD FEATURES:

- All 18 gauge stainless steel construction
- Pan includes radius interior corners for easy cleaning
- Total welded construction with integrated C-channel sides for incredible rigidity
- Installation kit for plumbing 1/2" tailpiece drain - includes 10' of vinyl drain tube, (3) ty wraps, (1) elbow, (1) elbow to drain-line adaptor, (4) #10 x 1/2 screws
- Rear deck area with pre-punched screw holes for mounting to underside of bar top

### Rinser faucet installation notes:

- Important: Unit must be installed in conformance with applicable federal, state, and local plumbing codes, including adequate backflow when required.
- Must install backflow prevention device conforming to ANSI/ASSE 1022 or ANSI/ASSE 1024 to meet plumbing code (not included).
- Install in-line water regulator (included).
- A separate shut-off valve is recommended (not included).

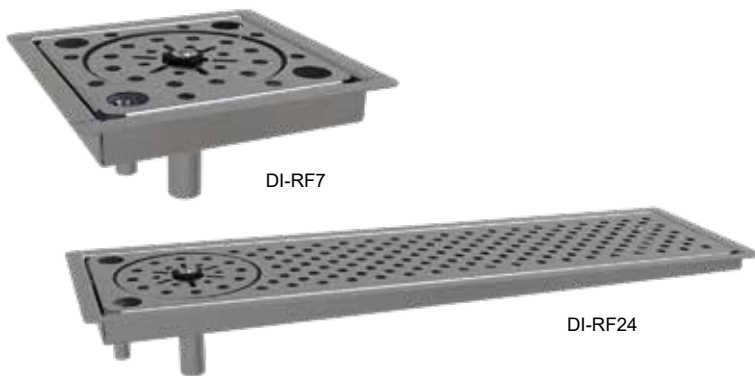
### UMRF

MODEL	LIST	WEIGHT	WIDTH	DEPTH	HEIGHT
UMRF	\$932	8#	5"	9"	1-1/2"

Bar Fabrication - Signature

## Drop-In Rinser Faucets

Pricing effective January 1, 2026



## PRODUCT INFORMATION

(see DI-RF Spec Sheet for complete details)

### STANDARD FEATURES:

- All stainless steel construction
- Pan includes radius corners for easy cleaning
- Drain is a 1/2" welded tailpiece that exits from the bottom of the unit
- Drain pan includes 1/2" flange
- Installation kit includes: 10' of clear vinyl drain tube, five - 4" Ty-wraps, and two - 1/2" plastic elbows

### Rinser faucet installation notes:

- Important: Unit must be installed in conformance with applicable federal, state, and local plumbing codes, including adequate backflow when required.
- Must install backflow prevention device conforming to ANSI/ASSE 1022 or ANSI/ASSE 1024 to meet plumbing code (not included).
- Install in-line water regulator (included).
- A separate shut-off valve is recommended (not included).

### DROP-IN DRINK RAILS

MODEL	LIST	LENGTH	WEIGHT
DI-RF7	\$967	7"	8#
DI-RF12	\$994	12"	10#
DI-RF18	\$1,022	18"	12#
DI-RF24	\$1,049	24"	14#
DI-RF30	\$1,077	30"	16#
DI-RF36	\$1,105	36"	18#

## Drop-In Rinser Faucets

Pricing effective January 1, 2026

### Rinser faucet installation notes:

- Unit does not provide a 1" air gap.
- Must be installed with external backflow prevention to meet applicable feder, state, and local plumbing code requirements.
- Install in-line water pressure regulator (included).
- A separate shut-off valve is recommended (not included).



## PRODUCT INFORMATION

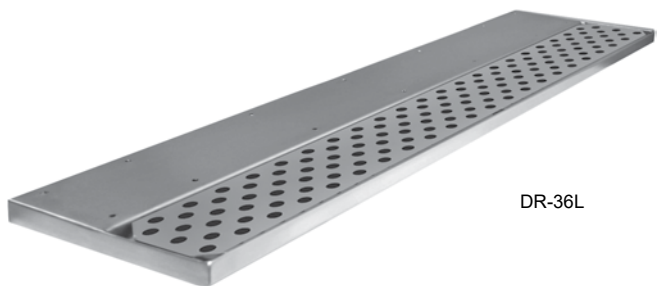
(see RF Spec Sheet for complete details)

### STANDARD FEATURES:

- Stainless steel construction

### RINSER FAUCETS

MODEL	LIST	WIDTH	HEIGHT	WEIGHT
RF-4	\$437	4"	3-1/2"	3#
RF-6	\$449	6"	3-1/2"	3#



DR-36L

Conveniently mounts to underside of bar top to provide stainless steel draining drink rail.

**PRODUCT INFORMATION**

(see DR Spec Sheet for complete details)

**STANDARD FEATURES:** All stainless steel construction

- One-piece, seamless mounting deck and pan with removable perforated inserts
- 30" and 36" models have one gusset and 42" and 48" models have two gussets for added strength
- Drain consists of 1/2" welded tailpiece that exits from the back of the unit
- 45° and 90° inside and outside corner filler sections available
- Installation kit includes: 10' of clear vinyl drain tube, one 4" Ty-wrap, three #10 x 1/2" stainless steel wood screws, three cable clamps and one 1/2" x 1/2" x 1/2" plastic tee

**DRINK RAILS**

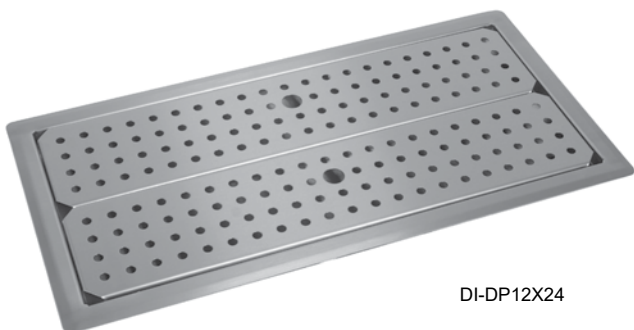
MODEL	LIST	LENGTH	DRAIN	WEIGHT
DR-12L	\$559	12"	Left	7#
DR-12R	\$559	12"	Right	7#
DR-18L	\$594	18"	Left	8#
DR-18R	\$594	18"	Right	8#
DR-24L	\$625	24"	Left	9#
DR-24R	\$625	24"	Right	9#
DR-30L	\$666	30"	Left	11#
DR-30R	\$666	30"	Right	11#
DR-36L	\$696	36"	Left	13#
DR-36R	\$696	36"	Right	13#
DR-42L	\$735	42"	Left	15#
DR-42R	\$735	42"	Right	15#
DR-48L	\$769	48"	Left	18#
DR-48R	\$769	48"	Right	18#

**INSIDE AND OUTSIDE CORNER FILLERS**

MODEL	DESCRIPTION	LIST	WEIGHT
DR-IC45	45° inside corner filler	\$335	8#
DR-IC90	90° inside corner filler	\$348	10#
DR-OC45	45° outside corner filler	\$335	8#
DR-OC90	90° outside corner filler	\$348	10#

\*NOTE: Drink Rails are manufactured to order and are not returnable

Drop-In Drain Pans\*



DI-DP12X24

Drain pan drops into a cut-out in your bartop to provide a stainless steel draining work surface.

**DROP-IN DRAIN PANS**

MODEL	OVERALL DIMENSIONS	LIST	WEIGHT
DI-DP12X24	12" x 24"	\$709	14#
DI-DP12X30	12" x 30"	\$762	16#
DI-DP12X36	12" x 36"	\$817	18#
DI-DP12X42	12" x 42"	\$891	20#
DI-DP12X48	12" x 48"	\$975	22#
DI-DP18X24	18" x 24"	\$873	18#
DI-DP18X30	18" x 30"	\$942	21#
DI-DP18X36	18" x 36"	\$1,059	24#
DI-DP18X42	18" x 42"	\$1,185	27#
DI-DP18X48	18" x 48"	\$1,310	30#

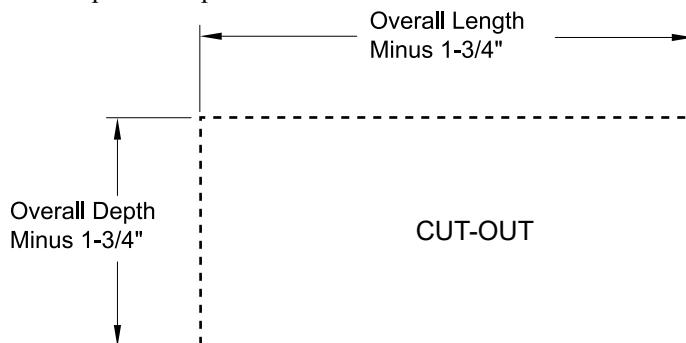
\*NOTE: Drop-In Drain Pans are manufactured to order and are not returnable

**PRODUCT INFORMATION**

(see DI-DP Spec Sheet for complete details)

**STANDARD FEATURES:** All stainless steel construction

- 18 gauge stainless steel pan with removable perforated inserts
- Available in standard widths of 12" or 18" and lengths from 24" to 48". Custom sizes also available
- Drain consists of 1/2" welded tailpiece that exits from the bottom of the unit
- Drain pan flange includes self-rimming edge for tight fit to work surface
- Installation kit includes: 10' of clear vinyl drain tube, one 4" Ty-wrap, three #10 x 1/2" stainless steel wood screws, three #10 x 1/2" black sheet metal screws, three cable clamps, two 1/2" x 1/2" plastic elbows
- Cut-out dimensions are 1-3/4" smaller than the outer flange dimensions
- Install by making cut-out in work surface, apply silicone sealant to edge of unit, set in place and plumb drain line



EXAMPLE: A DI-DP12X24 which measures 12" x 24" would require a cut-out size of 10-1/4" x 22-1/4"

Liquor Steps provide tiered liquor bottle storage at a height convenient for bartender use. They maintain the same easy-to-clean, open step and rail design as a speed rail. Each step and rail has PVC sound deadening covers and each rail includes a clear lift-off liquor-identification cover. The 24" deep models provide four levels of storage front to back and the 29" deep models provide five levels.

Liquor steps cannot have a speed rail mounted to them. Since speed rails are so common on underbar, liquor steps have been designed to align with underbar that has a speed rail. The four different liquor steps styles are based on the four different equipment-mounting situations.

## PRODUCT INFORMATION

(see LD Spec Sheet for complete details)

### STANDARD FEATURES

- Easily-usable height for storage
- All stainless steel construction and stainless steel bullet feet
- Includes radius interior corners for easy cleaning
- Four (4) levels of liquor bottle storage for 24" deep models and five (5) levels for 29" deep models
- Bottle retaining rails with clear lift-off liquor-identification cover
- Open step-and-rail design for easy cleaning and better view of bottles
- Locking covers are available for each individual row - see Locking Speed Rail Covers on page 22
- Matches speed rail design for continuity
- Specially designed side profiles to align with four different equipment-mounting situations
- Rear step on each model is extra wide for specialty liquor bottles



LDA-18S



LDB-18

### 24" DEEP LIQUOR STEPS

(Aligns with 19" deep underbar that has a single speed rail)

MODEL	LIST	LENGTH	WEIGHT
LDA-12S	\$1,951	12"	50#
LDA-18S	\$2,135	18"	60#
LDA-24S	\$2,325	24"	70#
LDA-30S*	\$2,512	30"	80#
LDA-36S*	\$2,699	36"	90#
LDA-42S*	\$2,887	42"	100#

### 24" DEEP LIQUOR STEPS

(Aligns with 24" deep underbar that has no speed rail)

MODEL	LIST	LENGTH	WEIGHT
LDB-12	\$1,951	12"	50#
LDB-18	\$2,135	18"	60#
LDB-24	\$2,325	24"	70#
LDB-30*	\$2,512	30"	80#
LDB-36*	\$2,699	36"	90#
LDB-42*	\$2,887	42"	100#



LDA-18D



LDB-18S

### 29" DEEP LIQUOR STEPS

(Aligns with 19" deep underbar that has a double speed rail)

MODEL	LIST	LENGTH	WEIGHT
LDA-12D	\$2,188	12"	55#
LDA-18D	\$2,403	18"	65#
LDA-24D	\$2,618	24"	75#
LDA-30D*	\$2,844	30"	85#
LDA-36D*	\$3,061	36"	95#
LDA-42D*	\$3,279	42"	105#

### 29" DEEP LIQUOR STEPS

(Aligns with 24" deep underbar that has a single speed rail)

MODEL	LIST	LENGTH	WEIGHT
LDB-12S	\$2,188	12"	55#
LDB-18S	\$2,403	18"	65#
LDB-24S	\$2,618	24"	75#
LDB-30S*	\$2,844	30"	85#
LDB-36S*	\$3,061	36"	95#
LDB-42S*	\$3,279	42"	105#

\*NOTE: These liquor steps are manufactured to order and are not returnable



The Glastender Island Oasis® Stand is designed for use with the model number SB-3X Island Oasis® machine. The 18" wide by 29" deep stand has a lowered draining work surface and extended front to allow the machine to be stored at a convenient and usable height. In most bar applications, the clear plastic ice container will be visible above the bar top.

**PRODUCT INFORMATION**

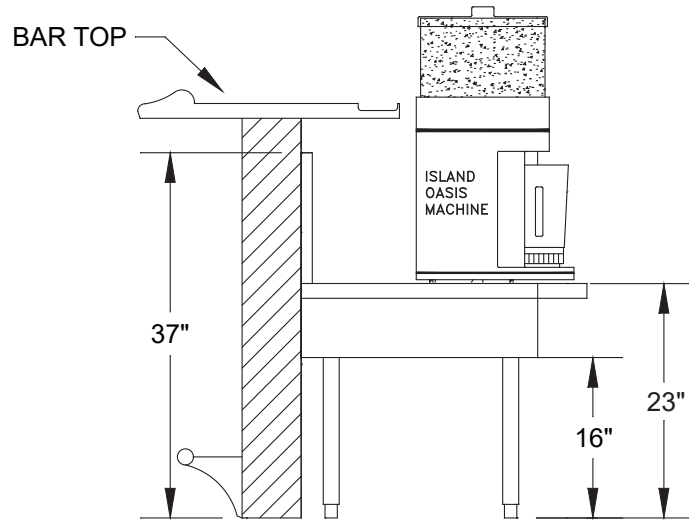
(see IOS Spec Sheet for complete details)

**STANDARD FEATURES**

- All stainless steel construction
- Adjustable stainless steel bullet feet
- Radius work surface corners for easy cleaning
- One-piece seamless top and backsplash
- 1" deep drain pan work surface to capture excess moisture
- Chamfered front to eliminate "knee knockers"

**ISLAND OASIS® STAND**

MODEL	LIST	LENGTH	WEIGHT
IOS-18	\$1,761	18"	50#



Installation Side Elevation

Bar Fabrication - Signature

*Call for pricing*

**Modular Beverage Stations**

**PRODUCT INFORMATION**

(see CAB-MBS Spec Sheet for complete details)

Modular beverage stations are configured and manufactured to your specific requirements. A complete lineup is designed by selecting from the top options and then specifying the module types and sizes to mount below the top. Stations ship complete in lengths up to 144".

**Top options include:** Depth - 24", 30", or 36" • Front overhang - 1/4", 1", or 2" • Nosing profile - flat, marine, or rounded • Backsplash - none, 5", or 10" • Endsplash - none, left, right, or both • Integrally welded drip trough • Electrical outlets in the backsplash

**Module options include:** Adjustable shelf • Drawer • Drop-in • Empty space • End wall • Fixed shelf • Glass rack • Open storage • Roll-out shelf • Sink • Urn stand



108" L by 30" D CAB-MBS  
Modules left to right: drop-in with solid apron, roll-out shelf, urn stand, and adjustable shelf with solid door



DWB-12 shown in an installation setting with optional trash receptacle



DWB-15L shown in an installation setting with optional trash receptacle



DWB-14-C† shown with optional trash receptacle

**PRODUCT INFORMATION**

(see DW Spec Sheet for complete details)

There are four different Dry Waste Chute models to meet various installation requirements.

**STANDARD FEATURES**

- Lift-up top for emptying the trash receptacle
- Completely removable top for thorough cleaning
- The DWB-12 mounts between two adjacent pieces of Glastender main line underbar and has no legs
- The DWB-15L and DWB-15R include a single leg set and mount to an adjacent piece of Glastender main line underbar
- The DWB-14-C† is freestanding
- All models are designed to house a Rubbermaid Slim Jim® trash receptacle

† Patent Pending

**24" DEEP DRY WASTE CHUTES**

MODEL	LIST	LEG POSITION	LENGTH	WEIGHT
DWB-12	\$1,018	N/A	12"	30#
DWB-14-C†	\$2,585	N/A	14"	64#
DWB-15L	\$1,607	Left	15"	45#
DWB-15R	\$1,607	Right	15"	45#

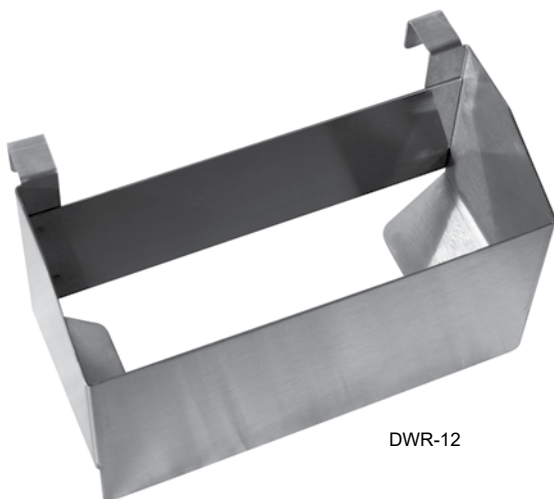
**CONFIGURABLE OPTIONS**

MODEL	DESCRIPTION	LIST	WGT
LSDW	Left side splash (DWB-14-C†)	\$189	1#
RSDW	Right side splash (DWB-14-C†)	\$189	1#

**ACCESSORY**

MODEL	DESCRIPTION	LIST	WGT
03000497	Rubbermaid Slim Jim®	\$299	10#

Dry Waste Rail



DWR-12

**PRODUCT INFORMATION**

(see DWR Spec Sheet for complete details)

- A Dry Waste Rail is 12" wide, 5" deep, and looks like a speed rail, but it is actually a removable stainless steel chute
- A 16" high or shorter trash receptacle is placed under the dry waste rail and the chute directs the refuse into the receptacle
- Dry waste rails cannot be used on Cabinets, Glassracks, or Ice Cream Freezers

**DRY WASTE RAIL**

MODEL	LIST	LENGTH	WEIGHT
DWR-12	\$277	12"	6#

**ACCESSORIES**

MODEL	DESCRIPTION	LIST	WGT
DWC	Trash receptacle, stainless steel	\$618	5#
03005491	Trash receptacle, 28½ qt, gray plastic	\$88	5#

All faucets are certified low lead compliant

**PRODUCT INFORMATION**

(see FR Spec Sheet for complete details)

**STANDARD FEATURES:** All stainless steel construction • Foamed-in-place insulation • 6" diameter seamless welded draining dipper well and faucet • Six-foot grounded cord and plug provided • 24" wide models hold one 3-gallon container • 36" wide models hold two 3-gallon containers • One-piece seamless top and backsplash

**ELECTRICAL:** 120V, 1 phase, 60 Hz, 4.75 full load amps • Dedicated 15 amp circuit is recommended • Includes 6-foot grounded cord and plug

**REFRIGERATION:** Operating range -5°F to 10°F • 1/4 HP, R290 refrigerant

**CAPACITY:** FRA-24 and FRB-24 models hold one 3-gallon container • FRA-36 and FRB-36 models hold two 3-gallon containers

\*NOTE: Ice Cream Freezers are manufactured to order and are not returnable



FRA-24

**19" DEEP ICE CREAM FREEZERS**

MODEL	LIST	LENGTH	WEIGHT
FRA-24	\$6,591	24"	140#
FRA-36	\$7,547	36"	175#

**24" DEEP ICE CREAM FREEZERS**

MODEL	LIST	LENGTH	WEIGHT
FRB-24	\$6,792	24"	150#
FRB-36	\$7,748	36"	185#

**ACCESSORIES**

MODEL	DESCRIPTION	LIST	WGT
SSR-24	24" single speed rail	\$318	7#
SSR-36	36" single speed rail	\$369	12#
DSR-24	24" double speed rail	\$619	14#
DSR-36	36" double speed rail	\$724	24#
CE-220/50S	Convert self-contained unit to 220V/50Hz electrical	\$307	N/A

Bar Fabrication - Signature



FRM-2-C

\*NOTE: Mobile Freezers are manufactured to order and are not returnable



FRM-2



FRM-2-C  
Elevation Height

**PRODUCT INFORMATION**

(see FRM Spec Sheet for complete details)

**STANDARD FEATURES:** All stainless steel exterior with 16 gauge galvanized exterior bottom • Completely integrated design - not just a cabinet with separate drop-in module • All stainless steel interior liner with radius corners for easy cleaning • One-piece, seamless top • 36-3/8" high work surface • Includes four 4-1/8" casters, with two locking casters • Eight-foot grounded cord and plug provided, exits at rear • Designed to accommodate outlet behind unit and still sit flush against the wall

**CAPACITY:**

- FRM-2 - two 3-gallon tubs of ice cream
- FRM-2-C - 1.27 cubic feet craft ice

**ELECTRICAL:** 120V, 1 phase, 60Hz, 3.5 full load amps. Dedicated 15 amp circuit is required.

**REFRIGERATION:** 1/4 HP, 0.06 Ton, R290 100g (3.53 oz) refrigerant

**MOBILE FREEZERS**

MODEL	LIST	LENGTH	DEPTH	WEIGHT
FRM-2	\$7,206	24"	18"	150#
FRM-2-C	\$8,005	14"	24"	150#

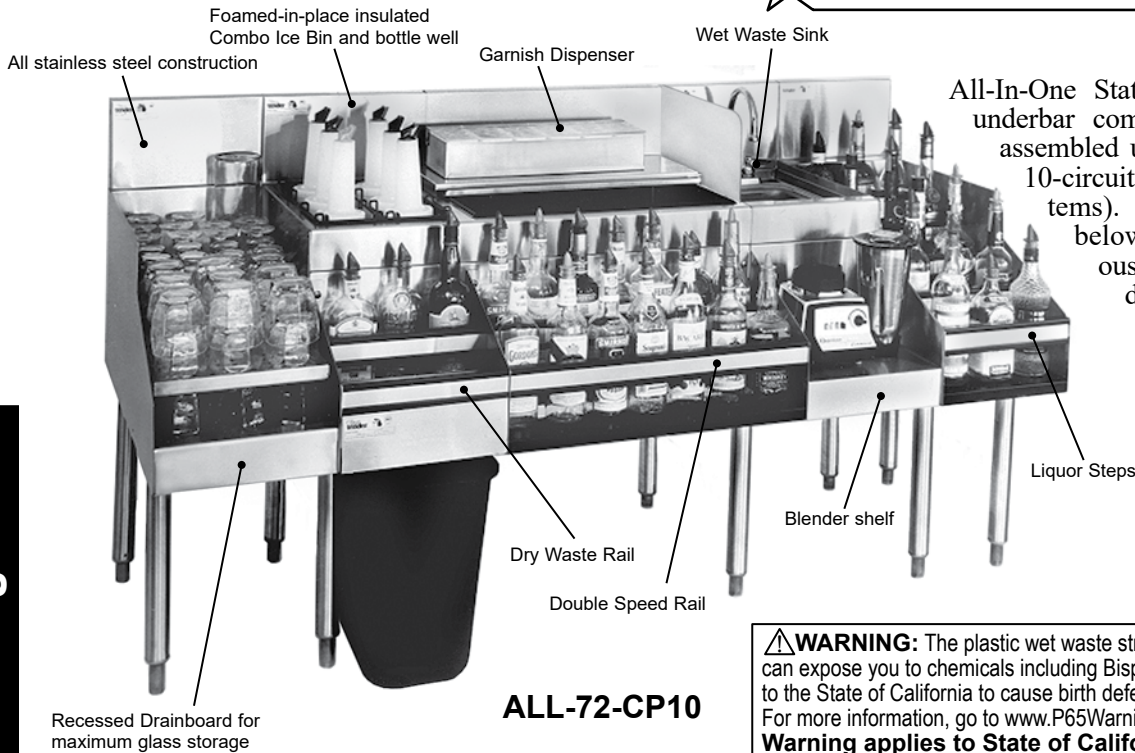
**ACCESSORIES**

MODEL	DESCRIPTION	LIST
CE-220/50S	Convert self-contained unit to 220V/50Hz electrical	\$307

**CONFIGURABLE OPTIONS**

FRM-2-C Elevation Height	No charge
--------------------------	-----------

**All faucets are certified low lead compliant**



All-In-One Stations combine different underbar components into one pre-assembled unit (also available with 10-circuit cold plate for soda systems). The ALL-72 pictured below illustrates the various components. Read the descriptions below each model for a complete list of standard components. (see ALL Spec Sheet for complete details)

**ALL-72-CP10**

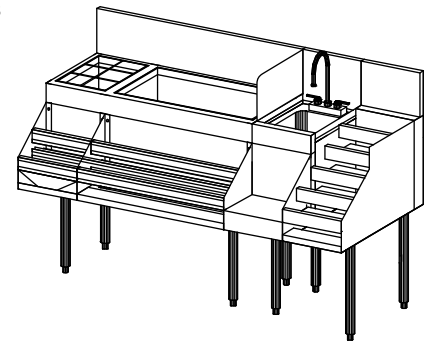
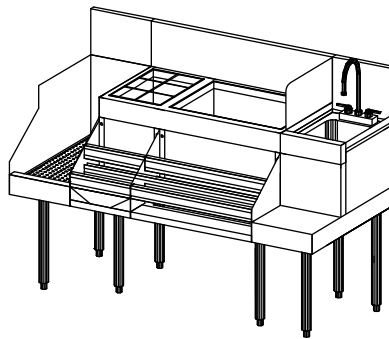
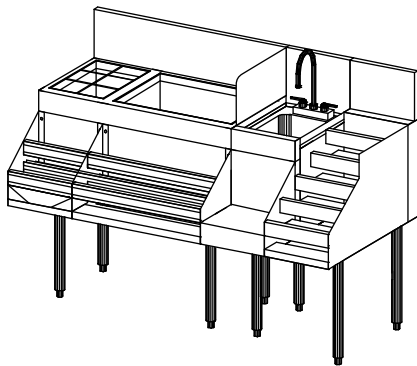
**WARNING:** The plastic wet waste strainer included with this product can expose you to chemicals including Bisphenol A (BPA), which is known to the State of California to cause birth defects or other reproductive harm. For more information, go to [www.P65Warnings.ca.gov](http://www.P65Warnings.ca.gov). **Warning applies to State of California only.** Part #03000483

### ALL-IN-ONE STATION ACCESSORY

MODEL	DESCRIPTION	LIST	WEIGHT
TC-BS	Tubing chase centered in backsplash of ice bin	\$81	N/A



TC-BS



### ALL-60A

MODEL	LIST	WT	COLD PLATE
ALL-60A	\$9,755	200#	No
ALL-60A-CP10	\$12,030	270#	YES

### ALL-60B

MODEL	LIST	WT	COLD PLATE
ALL-60B	\$9,165	200#	No
ALL-60B-CP10	\$11,440	270#	YES

### ALL-66A

MODEL	LIST	WT	COLD PLATE
ALL-66A	\$10,080	215#	No
ALL-66A-CP10	\$12,443	285#	YES

### 60" ALL-IN-ONE STATION

- 36" Combo Ice Bin
- 12" Single Wet Waste Sink w/Left Splash
- 12" Blender Shelf with Towel Ring
- 12" Liquor Steps
- 36" Double Speed Rail
- 12" Dry Waste Rail
- Garnish Dispenser

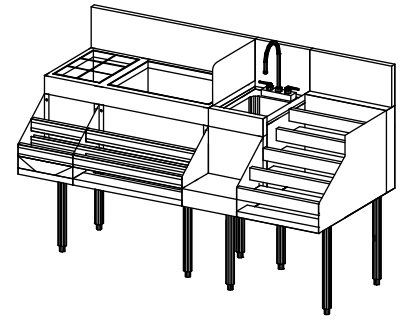
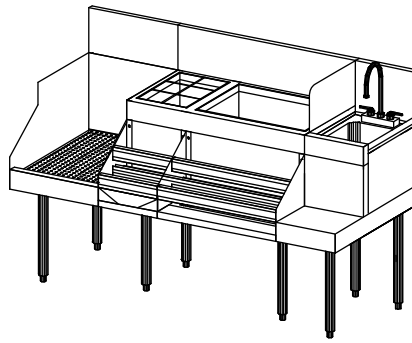
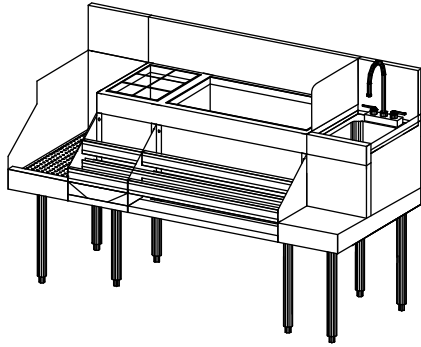
### 60" ALL-IN-ONE STATION

- 12" Recessed Drainboard
- 36" Combo Ice Bin
- 12" Single Wet Waste Sink w/Left Splash
- 12" Blender Shelf with Towel Ring
- 36" Double Speed Rail
- 12" Dry Waste Rail
- Garnish Dispenser

### 66" ALL-IN-ONE STATION

- 42" Combo Ice Bin
- 12" Single Wet Waste Sink w/Left Splash
- 12" Blender Shelf with Towel Ring
- 12" Liquor Steps
- 42" Double Speed Rail
- 12" Dry Waste Rail
- Garnish Dispenser

\*NOTE: All-In-One Stations are manufactured to order and are not returnable



**ALL-66B**

MODEL	LIST	WT	COLD PLATE
ALL-66B	\$9,490	215#	No
ALL-66B-CP10	\$11,853	285#	Yes

**66" ALL-IN-ONE STATION**

- 12" Recessed Drainboard
- 42" Combo Ice Bin
- 12" Single Wet Waste Sink w/Left Splash
- 12" Blender Shelf with Towel Ring
- 42" Double Speed Rail
- 12" Dry Waste Rail
- Garnish Dispenser

**ALL-66C**

MODEL	LIST	WT	COLD PLATE
ALL-66C	\$9,375	215#	No
ALL-66C-CP10	\$11,650	285#	Yes

**66" ALL-IN-ONE STATION**

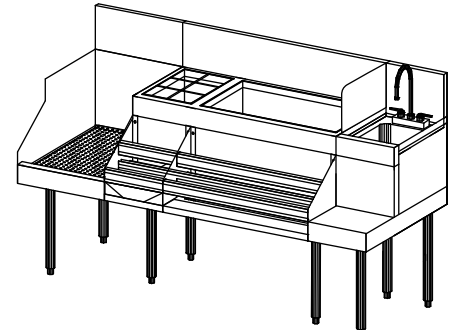
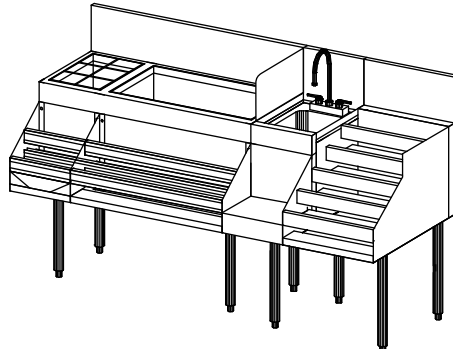
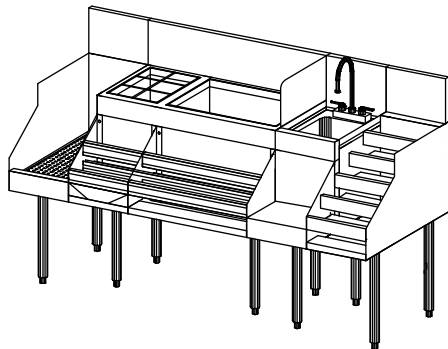
- 18" Recessed Drainboard
- 36" Combo Ice Bin
- 12" Single Wet Waste Sink w/Left Splash
- 12" Blender Shelf with Towel Ring
- 36" Double Speed Rail
- 12" Dry Waste Rail
- Garnish Dispenser

**ALL-66D**

MODEL	LIST	WT	COLD PLATE
ALL-66D	\$9,970	215#	No
ALL-66D-CP10	\$12,245	285#	Yes

**66" ALL-IN-ONE STATION**

- 36" Combo Ice Bin
- 12" Single Wet Waste Sink w/Left Splash
- 12" Blender Shelf with Towel Ring
- 18" Liquor Steps
- 36" Double Speed Rail
- 12" Dry Waste Rail
- Garnish Dispenser



**ALL-72**

MODEL	LIST	WT	COLD PLATE
ALL-72	\$11,353	240#	No
ALL-72-CP10	\$13,628	310#	Yes

**72" ALL-IN-ONE STATION**

- 12" Recessed Drainboard
- 36" Combo Ice Bin
- 12" Single Wet Waste Sink w/Left Splash
- 12" Blender Shelf with Towel Ring
- 12" Liquor Steps
- 36" Double Speed Rail
- 12" Dry Waste Rail
- Garnish Dispenser

**ALL-72A**

MODEL	LIST	WT	COLD PLATE
ALL-72A	\$10,295	240#	No
ALL-72A-CP10	\$12,658	310#	Yes

**72" ALL-IN-ONE STATION**

- 42" Combo Ice Bin
- 12" Single Wet Waste Sink w/Left Splash
- 12" Blender Shelf with Towel Ring
- 18" Liquor Steps
- 42" Double Speed Rail
- 12" Dry Waste Rail
- Garnish Dispenser

**ALL-72B**

MODEL	LIST	WT	COLD PLATE
ALL-72B	\$9,700	240#	No
ALL-72B-CP10	\$12,063	310#	Yes

**72" ALL-IN-ONE STATION**

- 18" Recessed Drainboard
- 42" Combo Ice Bin
- 12" Single Wet Waste Sink w/Left Splash
- 12" Blender Shelf with Towel Ring
- 42" Double Speed Rail
- 12" Dry Waste Rail
- Garnish Dispenser

Bar Fabrication - Signature

\*NOTE: All-In-One Stations are manufactured to order and are not returnable

**⚠WARNING:** The plastic wet waste strainer included with this product can expose you to chemicals including Bisphenol A (BPA), which is known to the State of California to cause birth defects or other reproductive harm. For more information, go to [www.P65Warnings.ca.gov](http://www.P65Warnings.ca.gov). **Warning applies to State of California only.** Part #03000483



**PRODUCT INFORMATION**

(see TC Spec Sheet for complete details)

**STANDARD FEATURES**

- All stainless steel construction
- Tubing chase is 6" by 6" by 4" high
- Stainless steel drain pan work surface and perforated insert
- Mounts between adjacent underbar equipment (there is no provision for leg mounting)
- Includes front rail and front skirt to match adjacent equipment
- Can be set in place after beverage lines are installed

**TUBING CHASES**

MODEL	LIST	LENGTH	DEPTH	WEIGHT
TCA	\$777	6"	19"	17#
TCB	\$883	6"	24"	19#

TCA shown in an installation setting

\*NOTE: Tubing Chases are manufactured to order and are not returnable

Beer Drainers\*

Beer Drainers have a 26" high lowered work surface and are designed specifically for use with undercounter-mounting beverage dispensers. The work surface includes a drain pan with perforated insert to serve as the drip pan for the dispenser and a special notched rear deck for beverage line access. Since the rear work surface is notched, the beverage lines can be installed prior to the beer drainer.



**PRODUCT INFORMATION**

(see BD Spec Sheet for complete details)

**STANDARD FEATURES**

- All stainless steel construction
- Designed with lowered work surface to work in conjunction with undercounter-mounting beverage dispensers
- Adjustable stainless steel bullet feet
- Rear deck with tubing chase notch allows beer lines to be installed prior to beer drainer
- Front drain pan with lift-out stainless steel perforated insert

**19" DEEP BEER DRAINERS**

MODEL	LIST	LENGTH	WEIGHT
BDA-18	\$1,379	18"	45#
BDA-24	\$1,511	24"	50#
BDA-30	\$1,639	30"	55#
BDA-36	\$1,769	36"	60#

**24" DEEP BEER DRAINERS**

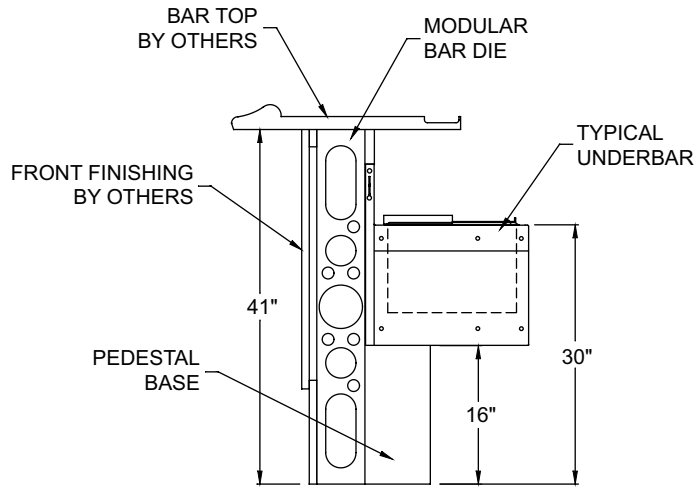
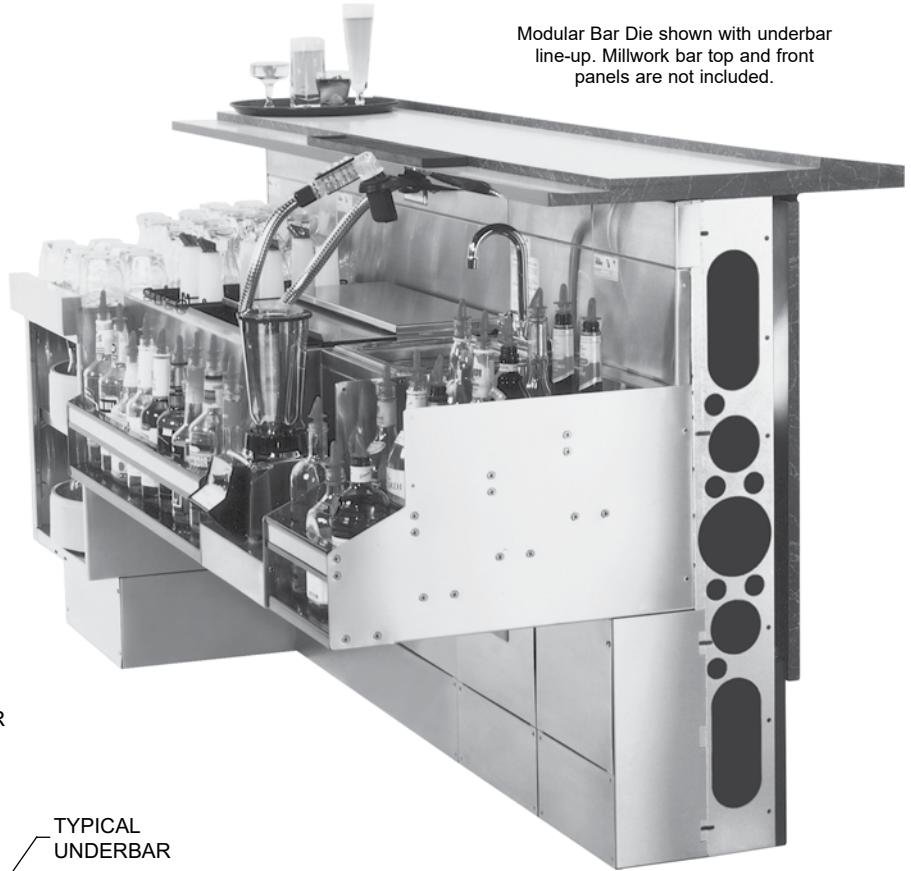
MODEL	LIST	LENGTH	WEIGHT
BDB-18	\$1,509	18"	55#
BDB-24	\$1,665	24"	60#
BDB-30	\$1,815	30"	65#
BDB-36	\$1,965	36"	70#

BDB-18 shown in an installation setting with undercounter-mounting beer tower above

\*NOTE: Beer Drainers are manufactured to order and are not returnable

With the Glastender Modular Bar Die, underbar equipment is mounted to and supported on the bar die. All the underbar equipment is pre-assembled and mounted to the bar die at the factory, then broken down into shippable sections. Installation of the bar die is very simple - easier than a conventional style underbar with a millwork bar die. The result is a beautiful, innovative underbar line up that is sealed to the floor, stainless from floor to bar top, eliminates all underbar leg sets, and hides the soda, beer, electrical, and plumbing lines.

Modular Bar Die shown with underbar line-up. Millwork bar top and front panels are not included.



Typical Side Elevation View

The total Number of feet required is calculated by determining the overall outside dimension of the bar die wall. Please round up to the nearest whole foot.

**MODULAR BAR DIE**

MODEL	DESCRIPTION	LIST	WGT
MD	Price per foot	\$511	15#
MDT	48" wide vinyl template - price per foot	\$37	

**PRODUCT INFORMATION**

(see MD Spec Sheet for complete details)

**FEATURES:**

- 16 gauge galvanized steel structure with stainless steel bartender side finishing
- 20A GFI outlets built in to bar die wall based on customer preference (wiring not provided)
- LED lights built in to bar die wall above underbar equipment (wiring not provided)
- Built in chaseways for beer, soda, plumbing, and electrical lines.

**BENEFITS:**

- Stainless steel from floor to bar top on bartender side
- Floor can be sealed to the bar die to prevent moisture from seeping from the bartender side to the customer side of the bar
- Galvanized steel structure will not rot
- Built in chaseways hide beer, soda, plumbing, and electrical lines for a cleaner, more attractive bar
- Arrives pre-assembled from factory in sections up to 6 feet long for easy installation - lowers installation costs. Just bolt the sections together, level, and attach the floor.
- Pre-engineered to exact dimensions to ensure a precise fit
- Can be used in conjunction with removable front millwork finishing panels to provide easy access to soda, beer, plumbing, and electrical lines for future modification, maintenance, or repair
- Millwork bar top and front panels can be pre-fabricated and easily attached
- Eliminates all underbar legs for easy cleaning.

Bar Fabrication - Signature



E-WC-24  
with full-extension  
bar tool drawer

**PRODUCT INFORMATION**

(see E-WC Spec Sheet for complete details)

- All stainless steel construction
- Work surface consists of a drainboard top with drain pan and separate perforated insert for better air circulation
- Full extension bar tool drawer
- One piece, seamless top and backsplash featuring 1/4" radius corners for easy cleaning
- Roll-out bottom shelf and one roll-out intermediate shelf
- (2) 20 amp GFI outlets
- Intermediate shelf and floor are still removable after unit is plumbed and include radius corners for easy cleaning
- Smooth interior walls for easy cleaning and a finished appearance
- All storage is on a level plane
- Adjustable stainless steel bullet feet

**ELEVATION WORK CENTER**

MODEL	LIST	LENGTH	WEIGHT
E-WC-24	\$5,583	24"	125#

Bar Fabrication - Elevation

Elevation Ice Bin

Pricing effective January 1, 2026

**PRODUCT INFORMATION**

(see E-IB Spec Sheet for complete details)

- All stainless steel construction
- One-piece, seamless top and backsplash
- PVC plastic breaker strip around ice bin liner: creates 5/16" raised edge around liner, acts as thermal barrier to prevent heat transfer, and makes the cover slide easier
- Sliding stainless steel cover
- Eco friendly foamed-in-place insulation has zero impact on global warming or ozone depletion
- Adjustable stainless steel bullet feet
- Lower cabinet with locking door
- Ten circuit available with all 24" and wider models (add suffix '-CP10' to model number); includes 4" soda gun holder
- Single speed rail



E-IB-24

**ELEVATION ICE BIN CABINETS**

MODEL	LIST	LENGTH	WEIGHT	ICE CAPACITY
E-IB-12	\$3,980	12"	74#	33#
E-IB-18	\$4,311	18"	91#	50#
E-IB-24	\$4,913	24"	107#	67#
E-IB-30	\$5,540	30"	125#	84#
E-IB-36	\$6,116	36"	142#	100#

**WITH 10-CIRCUIT COLD PLATE**

MODEL	LIST	LENGTH	WEIGHT	ICE CAPACITY
E-IB-24-CP10	\$8,471	24"	194#	67#
E-IB-30-CP10	\$9,348	30"	216#	84#
E-IB-36-CP10	\$10,339	36"	242#	100#



E-BS-12

**PRODUCT INFORMATION**

(see E-BS Spec Sheet for complete details)

- All stainless steel
- One-piece seamless top and backsplash featuring 1/4" radius corners
- Eco-friendly, foamed-in-place insulated blender shelf
- Heavy-duty, hot and cold water faucet
- Lift-out perforated plastic sink strainer
- Blender shelf with radius interior corners
- Power cord access hole with grommet on front skirt
- Junction box for duplex GFI outlet underneath blender shelf (outlet not included)
- Adjustable stainless steel bullet feet
- E-BS-18 model includes push-down rinser faucet

**ELEVATION BLENDER STATIONS**

<u>MODEL</u>	<u>LIST</u>	<u>LENGTH</u>	<u>WEIGHT</u>
E-BS-12	\$3,914	12"	68#
E-BS-18	\$4,976	18"	85#



E-FTR8

**PRODUCT INFORMATION**

(see E-FTR8 Spec Sheet for complete details)

- All stainless steel
- One-piece seamless top and backsplash featuring 1/4" radius corners
- Push-down rinser faucet with 4-1/2" plunger plate, 6" diameter seamlessly welded draining dipper well and faucet
- Lift-out perforated plastic strainer for lower wet waste sink
- Adjustable stainless steel bullet feet

**ELEVATION FUSION TOOL RINSING**

<u>MODEL</u>	<u>LIST</u>	<u>LENGTH</u>	<u>WEIGHT</u>
E-FTR8	\$4,543	8"	74#

## PRODUCT INFORMATION

(see E-CIR Spec Sheet for complete details)

- All stainless steel • Designed to mount between two adjacent pieces of Glastender underbar equipment (unless optional legs are used, see configurable options) • Drain pan with separate perforated insert for better air circulation • 1/4" radius work surface corners for easy cleaning

### ELEVATION CORNER INSIDE RECTANGLE DRAINBOARDS

MODEL	LIST	LEFT	RIGHT	WEIGHT
E-CIR-24/24	\$1,720	24"	24"	75#
E-CIR-24/24-N	\$1,821	24"	24"	75#
E-CIR-24/24-LN	\$1,769	24"	24"	75#
E-CIR-24/30L	\$1,860	30"	24"	90#
E-CIR-24/30R	\$1,860	24"	30"	90#

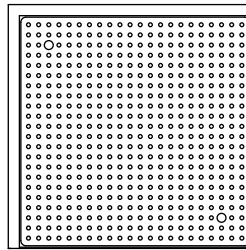
### CONFIGURABLE LEG SET OPTIONS

APPLICABLE MODEL	DESCRIPTION	LIST
E-CIR, E-CIR-N, E-CIR-LN	Leg set, one-side mounting	\$149
E-CIR	Leg set, freestanding	\$447

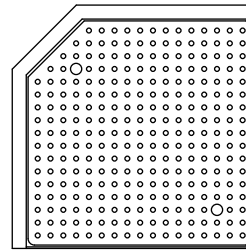


E-CIR-24/24-N

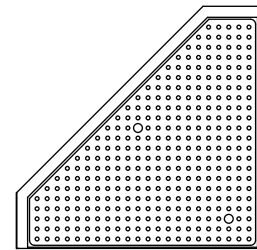
### PLAN VIEWS



E-CIR-24/24



E-CIR-24/24-N



E-CIR-24/24-LN

# Elevation Corner Inside L Shape Drainboards

Pricing effective January 1, 2026

## PRODUCT INFORMATION

(see E-CIL Spec Sheet for complete details)

- All stainless steel • Designed to mount between two adjacent pieces of Glastender underbar equipment (unless optional legs are used, see configurable options) • Drain pan with separate perforated insert for better air circulation • 1/4" radius work surface corners for easy cleaning

### ELEVATION CORNER INSIDE L SHAPE DRAINBOARDS

MODEL	LIST	DEPTH	TURN	WEIGHT
E-CIL	\$2,215	24"	Inside	75#
E-CIL-LN	\$2,230	24"	Inside	75#

Corner Inside and L Shape Drainboards are for 90° inside turns.

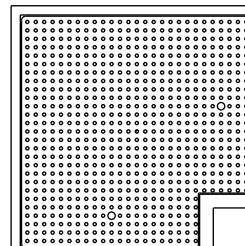
### CONFIGURABLE LEG SET OPTIONS

APPLICABLE MODEL	DESCRIPTION	LIST
E-CIL and E-CIL-N	Leg set, one-side mounting	\$149
E-CIL	Leg set, freestanding	\$447

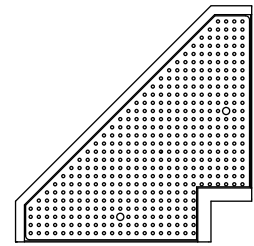


E-CIL-24

### PLAN VIEWS



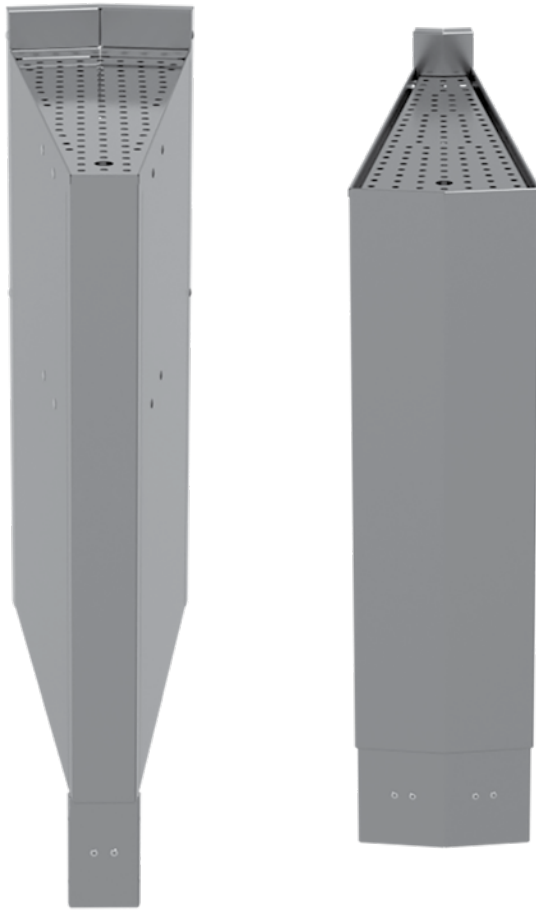
E-CIL



E-CIL-LN

**Does your Corner Drainboard need a leg set?**

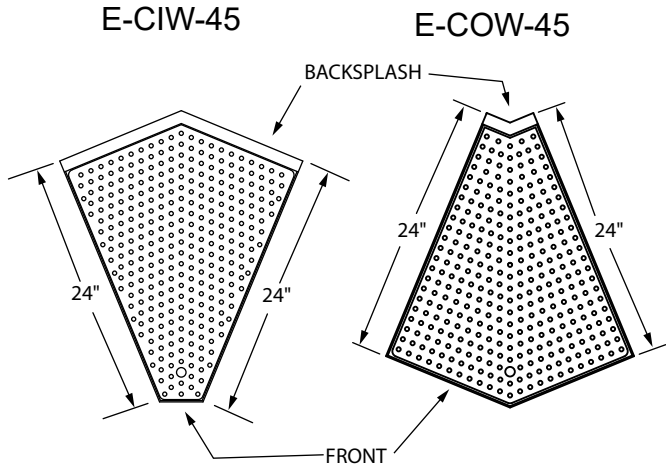
Corner drainboards are designed to be attached between two pieces of underbar, or two stable vertical surfaces and do not include legs. If attached to equipment or surface on only one side, a leg set for one-side mounting is needed. Some models can also be converted to freestanding using the applicable leg set. See table for applicable models.



E-CIW-15

E-COW-15

**Sample Corner Inside and Outside Wedge Drainboard Plan Views**



**PRODUCT INFORMATION**

(see E-CIW & E-COW Spec Sheets for complete details)

- All stainless steel
- Designed to mount between two adjacent pieces of Glastender underbar equipment (unless optional legs are used, see configurable options)
- Drain pan with separate perforated insert for better air circulation (5° and 10° E-CIW models excluded)
- 1/4" radius work surface corners for easy cleaning

**CONFIGURABLE LEG SET OPTIONS**

APPLICABLE MODEL	DESCRIPTION	LIST
E-CIW	Leg set, one-side mounting (5° and 10° models excluded)	\$149
E-COW	Leg set, one-side mounting	\$149

**ELEVATION CORNER WEDGE INSIDE TURN DRAINBOARDS**

MODEL	LIST	DEGREE	TURN	WEIGHT
E-CIW-75	\$2,471	75°	Inside	75#
E-CIW-60	\$2,092	60°	Inside	68#
E-CIW-45	\$1,821	45°	Inside	60#
E-CIW-30	\$1,582	30°	Inside	56#
E-CIW-25	\$1,518	25°	Inside	56#
E-CIW-20	\$1,458	20°	Inside	53#
E-CIW-15	\$1,398	15°	Inside	53#
E-CIW-10	\$836	10°	Inside	41#
E-CIW-5	\$813	5°	Inside	37#

**ELEVATION CORNER WEDGE OUTSIDE TURN DRAINBOARDS**

MODEL	LIST	DEGREE	TURN	WEIGHT
E-COW-75	\$2,741	75°	Outside	75#
E-COW-60	\$2,290	60°	Outside	68#
E-COW-45	\$1,916	45°	Outside	60#
E-COW-30	\$1,701	30°	Outside	56#
E-COW-15	\$1,489	15°	Outside	53#

Bar Fabrication - Elevation



E-ICP-24

### PRODUCT INFORMATION

(see E-ICP Spec Sheet for complete details)

- All stainless steel construction
- PVC plastic breaker strip around ice bin liner: creates 5/16" raised edge around liner, acts as thermal barrier to prevent heat transfer
- Ice-chilled garnish rail for six 1/9 pans (4" deep)
- Bottle rail for eight elixir bottles
- Removable cutting board
- Cabinet base with hinged door
- Six 1/9 pans with lids included
- Eco-friendly foamed-in-place insulation has zero impact on global warming or ozone depletion
- Adjustable stainless steel bullet feet

### ELEVATION COCKTAIL PREP STATION

MODEL	LIST	LENGTH	WEIGHT
E-ICP-24	\$5,892	24"	115#

Bar Fabrication - Elevation

# Elevation Drainboard Glassracks

Pricing effective January 1, 2026



E-DBGR-24

### PRODUCT INFORMATION

(see E-DBGR Spec Sheet for complete details)

- All stainless steel construction
- Adjustable stainless steel bullet feet
- One piece, seamless top and backsplash featuring 1/4" radius corners for easy cleaning
- Work surface consists of a drainboard top with drain pan and separate perforated insert for better air circulation
- Floor is still removable after unit is plumbed and includes radius corners for easy cleaning
- Smooth interior walls for easy cleaning and a finished appearance
- All storage is on a level plane

### ELEVATION DRAINBOARD GLASSRACKS

MODEL	LIST	LENGTH	WEIGHT
E-DBGR	\$4,244	24"	110#

### CONFIGURABLE OPTIONS

MODEL	LIST
Roll-out shelves	No Charge
Rack slides	No Charge

### PRODUCT INFORMATION

(see E-DB Spec Sheet for complete details)

- All stainless steel construction
- Adjustable stainless steel bullet feet
- One-piece, seamless top and backsplash featuring 1/4" radius corners for easy cleaning
- Door(s) features integral handle and lock(s) standard
- Work surface consists of a drainboard top with drain pan and separate perforated insert for better air circulation.
- Intermediate shelf and floor are still removable after unit is plumbed and include radius corners
- Plumbing connection is made underneath the unit and does not interfere with shelf or floor
- Smooth interior walls for easy cleaning and a finished appearance
- All storage is on a level plane



E-DB-24

### ELEVATION DRAINBOARD GLASSRACKS

MODEL	LIST	LENGTH	WEIGHT
E-DB-12	\$2,902	12"	94#
E-DB-18	\$3,274	18"	105#
E-DB-24	\$3,684	24"	116#
E-DB-30	\$4,185	30"	127#
E-DB-36	\$4,524	36"	138#
E-DB-42	\$4,820	42"	149#
E-DB-48	\$5,222	48"	160#

# Elevation POS Cabinets



E-PC-18



E-PC-24

### PRODUCT INFORMATION

(see E-PC Spec Sheet for complete details)

- All stainless steel construction with adjustable bullet feet
- One-piece, seamless top and back-splash
- Louvered door features integral handle
- Door lock standard
- Grommeted cord access hole in work surface
- Large access hole in back wall of unit
- Smooth interior walls for easy cleaning and a finished appearance

### ELEVATION POS CABINET

MODEL	LIST	LENGTH	WEIGHT
E-PC-18	\$3,651	18"	85#
E-PC-24	\$3,976	24"	95#

### CONFIGURABLE OPTIONS

E-PC-18 with enclosed cash drawer cubby	\$460
E-PC-24 with enclosed cash drawer cubby	\$507



E-LD-12

**PRODUCT INFORMATION**

(see E-LD Spec Sheet for complete details)

- All stainless steel
- Two (2) levels of liquor bottle storage
- Bottle retaining rails
- Open step-and-rail design
- Extra-wide steps for specialty liquor bottles
- Full extension locking liquor drawer with dividers
- Adjustable stainless steel bullet feet

Bar Fabrication - Elevation

**ELEVATION LIQUOR STEPS**

<u>MODEL</u>	<u>LIST</u>	<u>LENGTH</u>	<u>WEIGHT</u>
E-LD-8	\$4,381	8"	55#
E-LD-12	\$4,571	12"	70#
E-LD-18	\$4,846	18"	85#



E-DW-14  
Front Access

### PRODUCT INFORMATION

(see E-DW Spec Sheet for complete details)

- All stainless steel
- 36" high work surface
- Free standing with two leg sets and hinged access door

Bar Fabrication - Elevation

### ELEVATION DRY WASTE CABINET

MODEL	LIST	LENGTH	WEIGHT
E-DW-14	\$2,917	14"	67#

### CONFIGURABLE OPTIONS

ACCESS	
Front access	No charge
Top access	No charge
DRAINBOARD TOP	
Front access only	\$254

### ACCESSORIES

MODEL	DESCRIPTION	LIST	WT
03000497	Rubbermaid Slim Jim® trash receptacle - top access	\$282	10#
03005491	Trash receptacle, 28½ qt, gray plastic - front access	\$83	5#



E-SW-14

**PRODUCT INFORMATION**

(see E-SW Spec Sheet for complete details)

- All stainless steel • One-piece seamless top and backsplash featuring 1/4" radius corners • Drawn sink bowl • Heavy-duty, hot and cold water faucet • Lift-out perforated plastic wet waste strainer • Adjustable stainless steel bullet feet • Front-hinged access door • 6" round trash chute in work surface for access to trash receptacle (not included)

**ELEVATION WASTE SINK**

<u>MODEL</u>	<u>LIST</u>	<u>LENGTH</u>	<u>WEIGHT</u>
E-SW-14	\$4,090	14"	85#

**ACCESSORIES**

<u>MODEL</u>	<u>DESCRIPTION</u>	<u>LIST</u>	<u>WT</u>
03005491	Trash receptacle, 28½ qt, gray plastic	\$83	5#

Bar Fabrication - Elevation

**PRODUCT INFORMATION**

(see E-HS Spec Sheet for complete details)

- All stainless steel • One-piece seamless top and backsplash featuring 1/4" radius corners • Drawn sink bowl • Heavy-duty, hot and cold water faucet • Adjustable stainless steel bullet feet
- Includes soap dispenser and front-flush C-fold paper towel dispenser • E-HS-14 includes a trash receptacle

**ELEVATION HAND SINK**

<u>MODEL</u>	<u>LIST</u>	<u>LENGTH</u>	<u>WEIGHT</u>
E-HS-12	\$4,141	12"	70#
E-HS-14	\$4,026	14"	75#



E-HS-14



E-FS12

**PRODUCT INFORMATION**

(see E-FS12 Spec Sheet for complete details)

- All stainless steel • One-piece seamless top and backsplash featuring 1/4" radius corners • Two drawn sink bowls • Upper hand sink that drains into lower wet waste sink • Heavy-duty, hot and cold water faucet • Backsplash faucet mounting bracket for easy faucet removal • Soap dispenser and front-flush C-fold paper towel dispenser • Lift-out perforated plastic strainer for lower wet waste sink • Left and right side splashes • Adjustable stainless steel bullet feet

**ELEVATION FUSION SINK**

<u>MODEL</u>	<u>LIST</u>	<u>LENGTH</u>	<u>WEIGHT</u>
E-FS12	\$4,625	12"	75#

**PRODUCT INFORMATION**

(see E-DS, E-TS, and E-FS Spec Sheets for complete details)

- All stainless steel construction & stainless steel bullet feet
- 18 gauge stainless steel one-piece seamless top, front rail and backsplash featuring 1/4" radius corners for easy cleaning
- 16 gauge stainless steel fabricated sink bowls
- 11" by 14" by 10-1/4" deep sink bowl with hot and cold water faucet
- Faucets are standard and ship mounted
- Extra wide sink bowl easily accommodates brush washer
- Models have lift-out stainless steel perforated insert for better air circulation
- Perforated stainless steel inserts are available to cover sinks when not in use
- One over-flow tube per sink bowl included
- 30" work height



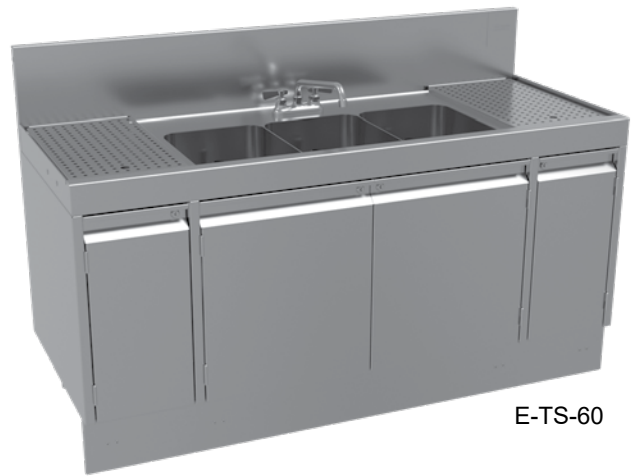
E-DS-48

**ELEVATION TWO COMPARTMENT SINK CABINET**

<u>MODEL</u>	<u>LIST</u>	<u>LENGTH</u>	<u>WEIGHT</u>
E-DS-48	\$10,914	48"	180#

**ELEVATION THREE COMPARTMENT SINK CABINET**

<u>MODEL</u>	<u>LIST</u>	<u>LENGTH</u>	<u>WEIGHT</u>
E-TS-60	\$11,670	60"	210#



E-TS-60



E-FS-72

**ELEVATION FOUR COMPARTMENT SINK CABINET**

<u>MODEL</u>	<u>LIST</u>	<u>LENGTH</u>	<u>WEIGHT</u>
E-FS-72	\$12,970	72"	245#

**Bar Fabrication - Elevation**

### 19" DEEP ICE BINS\*

MODEL	LIST	LTH	WGT	ICE CAPACITY
C-IBA-6†	\$1,322	6"	40#	17#
C-IBA-12	\$1,785	12"	50#	33#
C-IBA-18	\$1,973	18"	60#	50#
C-IBA-24	\$2,149	24"	70#	67#
C-IBA-30	\$2,343	30"	80#	84#
C-IBA-36	\$2,526	36"	90#	100#
C-IBA-42	\$2,717	42"	100#	117#
C-IBA-48	\$2,901	48"	110#	134#

### WITH 10-CIRCUIT COLD PLATE

C-IBA-24-CP10	\$4,043	24"	130#	67#
C-IBA-30-CP10	\$4,298	30"	145#	84#
C-IBA-36-CP10	\$4,624	36"	160#	100#
C-IBA-42-CP10	\$5,200	42"	170#	117#
C-IBA-48-CP10	\$5,399	48"	180#	134#

† Note: 6" unit cannot be freestanding

### 24" DEEP ICE BINS\*

MODEL	LIST	LTH	WGT	ICE CAPACITY
C-IBB-6†	\$1,412	6"	45#	21#
C-IBB-12	\$1,918	12"	55#	42#
C-IBB-18	\$2,119	18"	70#	64#
C-IBB-24	\$2,314	24"	80#	85#
C-IBB-30	\$2,525	30"	95#	106#
C-IBB-36	\$2,720	36"	110#	127#
C-IBB-42	\$2,922	42"	120#	149#
C-IBB-48	\$3,119	48"	130#	170#

### WITH 10-CIRCUIT COLD PLATE\*

C-IBB-24-CP10	\$4,180	24"	145#	85#
C-IBB-30-CP10	\$4,961	30"	160#	106#
C-IBB-36-CP10	\$5,178	36"	170#	127#
C-IBB-42-CP10	\$5,398	42"	185#	149#
C-IBB-48-CP10	\$5,560	48"	195#	170#

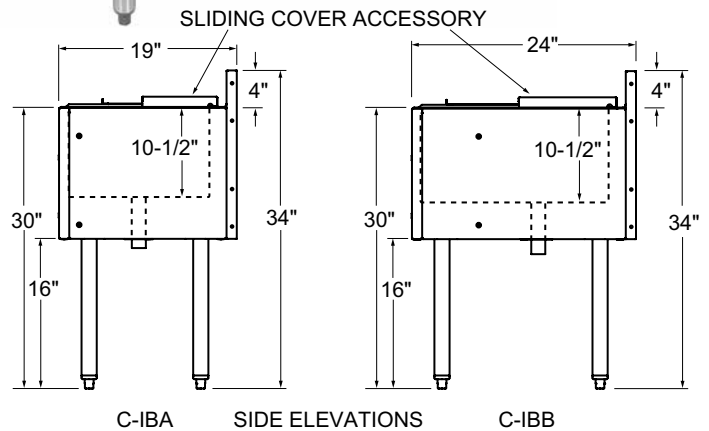
† Note: 6" unit cannot be freestanding

### What is a cold plate?

Choice ice bins 24" wide and larger are available with a 10-circuit cold plate built into the bottom liner. A cold plate is an aluminum block with ten stainless steel lines or circuits molded within. Soda lines are attached by the soda vendor to the input and output lines of the cold plate and the soda water and syrup are chilled as they pass through the lines. A cold plate is recommended for ice bins used to make cocktails.



C-IBA-36-CP10



### PRODUCT INFORMATION

(see C-IB and C-IB-ED Spec Sheets for complete details)

### STANDARD FEATURES

- All stainless steel construction
- PVC plastic breaker strip around ice bin liner acts as a thermal barrier to prevent heat transfer
- 24" deep version provides larger ice bin not just a deck extension on the back of the 19" deep model
- Extra deep ice bins have 14-1/2" deep liner for extra ice capacity
- Adjustable stainless steel bullet feet
- Backsplash is an open channel to provide access for beverage lines

NOTE: Ice bins intended to store potable ice must be ordered with an ice bin cover to maintain the sanitation listing

\*NOTE: These ice bin models are manufactured to order and are not returnable



Bottle rack accessory (one BR4 and one BR3 shown)

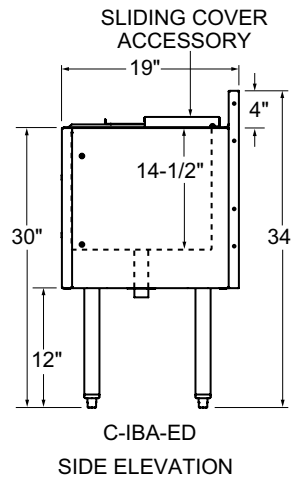
Bottle well accessory (two BW3 shown)

**19" EXTRA DEEP ICE BINS\***

MODEL	LIST	LTH	WGT	ICE CAPACITY
C-IBA-18-ED	\$2,198	18"	75#	69#
C-IBA-24-ED	\$2,416	24"	80#	92#
C-IBA-30-ED	\$2,633	30"	90#	116#
C-IBA-36-ED	\$2,850	36"	100#	139#
C-IBA-42-ED	\$3,067	42"	110#	162#
C-IBA-48-ED	\$3,288	48"	125#	185#

**EXTRA DEEP WITH 10-CIRCUIT COLD PLATE\***

C-IBA-24-CP10-ED	\$4,481	24"	140#	92#
C-IBA-30-CP10-ED	\$4,777	30"	155#	116#
C-IBA-36-CP10-ED	\$5,209	36"	170#	139#
C-IBA-42-CP10-ED	\$5,788	42"	180#	162#
C-IBA-48-CP10-ED	\$6,029	48"	190#	185#



NOTE: Ice bins intended to store potable ice must be ordered with an ice bin cover to maintain the sanitation listing

\*NOTE: These ice bin models are manufactured to order and are not returnable

**ICE BIN ACCESSORIES**

**SINGLE SPEED RAILS**

MODEL	DESCRIPTION	LIST	WGT
C-SR-12	12" single speed rail	\$207	5#
C-SR-18	18" single speed rail	\$229	6#
C-SR-24	24" single speed rail	\$251	7#
C-SR-30	30" single speed rail	\$273	9#
C-SR-36	36" single speed rail	\$296	10#
C-SR-42	42" single speed rail	\$318	12#
C-SR-48	48" single speed rail	\$340	13#

**DOUBLE SPEED RAILS**

MODEL	DESCRIPTION	LIST	WGT
C-DR-12	12" double speed rail	\$416	9#
C-DR-18	18" double speed rail	\$456	11#
C-DR-24	24" double speed rail	\$496	14#
C-DR-30	30" double speed rail	\$536	16#
C-DR-36	36" double speed rail	\$577	18#
C-DR-42	42" double speed rail	\$617	21#
C-DR-48	48" double speed rail	\$657	24#

**GARNISH DISPENSER** Stainless steel garnish dispenser with hinged plexi-glass lid and six 16 oz. plastic cups.

CCD	Garnish dispenser	\$243	5#
-----	-------------------	-------	----

**ACCESSORIES FOR 19" DEEP (A) ICE BINS**

**ICE BIN COVERS** Two-piece sliding stainless steel. Ice bins intended to store potable ice must be ordered with an ice bin cover to maintain the sanitation listing. If bottle wells are ordered, deduct 6" from cover length for one bottle well and 12" for two bottle wells.

MODEL	DESCRIPTION	LIST	WGT
IBCA-12	12"w ice bin cover - 19"d (A) ice bin	\$133	4#
IBCA-18	18"w ice bin cover - 19"d (A) ice bin	\$161	5#
IBCA-24	24"w ice bin cover - 19"d (A) ice bin	\$191	7#
IBCA-30	30"w ice bin cover - 19"d (A) ice bin	\$220	8#
IBCA-36	36"w ice bin cover - 19"d (A) ice bin	\$262	9#
IBCA-42	42"w ice bin cover - 19"d (A) ice bin	\$294	10#
IBCA-48	48"w ice bin cover - 19"d (A) ice bin	\$324	12#

**ACCESSORIES FOR 24" DEEP (B) ICE BINS**

MODEL	DESCRIPTION	LIST	WGT
IBCB-12	12"w ice bin cover - 24"d (B) ice bin	\$146	5#
IBCB-18	18"w ice bin cover - 24"d (B) ice bin	\$182	6#
IBCB-24	24"w ice bin cover - 24"d (B) ice bin	\$217	8#
IBCB-30	30"w ice bin cover - 24"d (B) ice bin	\$253	10#
IBCB-36	36"w ice bin cover - 24"d (B) ice bin	\$304	11#
IBCB-42	42"w ice bin cover - 24"d (B) ice bin	\$342	13#
IBCB-48	48"w ice bin cover - 24"d (B) ice bin	\$381	15#

**BOTTLE WELLS** For use with potable ice. May be positioned left or right inside cocktail ice bin. If two are ordered, they are positioned one at each side

BW3	3 bottle well for 19"d (A) ice bin	\$81	4#	BW4	4 bottle rack for 24"d (B) ice bin	\$148	5#
-----	------------------------------------	------	----	-----	------------------------------------	-------	----

**BOTTLE RACKS** For use with non-potable ice in bottle storage ice bin. Only fit in 12" long and larger ice bins. One rack may be ordered for each 6" of ice bin length. Not for use with sliding cover.

BR3	Bottle rack for 19"d (A) ice bin	\$77	3#	BR4	4 bottle rack for 24"d (B) ice bin	\$94	4#
-----	----------------------------------	------	----	-----	------------------------------------	------	----

**ICE BIN DIVIDERS** Stainless steel panel placed inside the ice bin front-to-back to separate different types of ice.

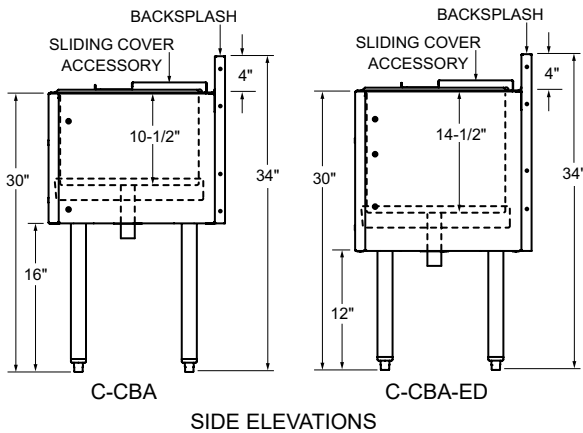
IBD-H-A	Ice bin divider for 19"d (A) ice bin	\$119	4#	IBD-H-B	Ice bin divider for 24"d (B) ice bin	\$152	4#
IBD-H-A-ED	Ice Bin divider for 19"d (A) extra deep ice bin	\$139	4#				

Bar Fabrication - Choice



C-CBA-36L

NOTE: Ice bins intended to store potable ice must be ordered with an ice bin cover to maintain the sanitation listing



**PRODUCT INFORMATION**

(see C-CB and C-CB-ED Spec Sheets for complete details)

**STANDARD FEATURES**

- All stainless steel construction
- PVC plastic breaker strip around ice bin liner acts as a thermal barrier to prevent heat transfer
- Extra deep ice bins have 14-1/2" deep liner for extra ice capacity
- Adjustable stainless steel bullet feet
- Backsplash is an open channel to provide access for beverage lines

**What is a cold plate?**

Choice ice bins 24" wide and larger are available with a 10-circuit cold plate built into the bottom liner. A cold plate is an aluminum block with ten stainless steel lines or circuits molded within. Soda lines are attached by the soda vendor to the input and output lines of the cold plate and the soda water and syrup are chilled as they pass through the lines. A cold plate is recommended for ice bins used to make cocktails.

**19" DEEP COMBO ICE BINS\***

MODEL	LIST	LTH	WGT	ICE CAPACITY	BOTTLES STORED
C-CBA-36L or R	\$3,233	36"	100#	67#	6
C-CBA-42L or R	\$3,432	42"	110#	84#	6
C-CBA-48L or R	\$3,631	48"	120#	100#	6
C-CBA-48	\$4,149	48"	120#	67#	12

**WITH 10-CIRCUIT COLD PLATE**

C-CBA-30L3 or R3-CP10*	\$5,215	30"	160#	67#	3
C-CBA-36L or R-CP10	\$5,386	36"	170#	67#	6
C-CBA-42L or R-CP10	\$5,657	42"	180#	84#	6
C-CBA-48L or R-CP10	\$6,009	48"	200#	100#	6
C-CBA-48-CP10	\$6,389	48"	200#	67#	12

**EXTRA DEEP COMBO ICE BINS WITH 10-CIRCUIT COLD PLATE\***

C-CBA-30L3 or R3-CP10-ED	\$5,577	30"	170#	92#	3
C-CBA-36L or R-CP10-ED	\$5,748	36"	180#	92#	6
C-CBA-42L or R-CP10-ED	\$6,058	42"	190#	116#	6
C-CBA-48L or R-CP10-ED	\$6,447	48"	210#	139#	6
C-CBA-48-CP10-ED	\$6,840	48"	210#	92#	12

\*NOTE: These ice bin models are manufactured to order and are not returnable

**COMBO ICE BIN ACCESSORIES**

**SINGLE SPEED RAILS**

MODEL	DESCRIPTION	LIST	WGT
C-SR-30	30" single speed rail	\$273	9#
C-SR-36	36" single speed rail	\$296	10#
C-SR-42	42" single speed rail	\$318	12#
C-SR-48	48" single speed rail	\$340	13#

**DOUBLE SPEED RAILS**

C-DR-30	30" double speed rail	\$536	16#
C-DR-36	36" double speed rail	\$577	18#
C-DR-42	42" double speed rail	\$617	21#
C-DR-48	48" double speed rail	\$657	24#

**GARNISH DISPENSER** Stainless steel garnish dispenser with hinged plexi-glass lid and six 16 oz. plastic cups.

CCD	Garnish dispenser	\$243	5#
-----	-------------------	-------	----

**ICE BIN COVERS** Two-piece sliding stainless steel. Ice bins intended to store potable ice must be ordered with an ice bin cover to maintain the sanitation listing.

IBCA-24	24"w ice bin cover for C-CBA-30, C-CBA-36, or C-CBA-48	\$191	7#
IBCA-30	30"w ice bin cover for C-CBA-42	\$220	8#
IBCA-36	36"w ice bin cover for C-CBA-48L or R	\$262	9#

**BOTTLE RACK** Vinyl-coated wire racks placed inside the bottle well to assist with holding pour and store bottles. Each combo ice bin bottle well may hold two BR3 bottle racks. NOTE: BR3 does not fit in C-CBA-30.

BR3	Bottle rack for 19"d (A) ice bin	\$77	3#
-----	----------------------------------	------	----

**ICE BIN DIVIDERS** Stainless steel panel placed inside the ice bin front-to-back to separate different types of ice.

IBD-H-A	Ice bin divider for 19"d (A) ice bin	\$119	4#
IBD-H-A-ED	Ice bin divider for 19"d (A) extra deep ice bin	\$139	4#



C-IB-38X24

A 24" wide by 38" deep pass-thru ice bin is used to provide the cocktail servers with access to the ice. Pass-thru ice bins have the same features as standard ice bins, except there is no backsplash and the optional sliding cover is double sided. The bartender side of the ice bin lines up with the underbar equipment the same as a standard ice bin. The 38" deep dimension also allows a pass-thru ice bin to line up with back-to-back mounted underbar equipment (see sample drawings).

### PASS THRU ICE BIN

<u>MODEL</u>	<u>LIST</u>	<u>WGT</u>	<u>ICECAPACITY</u>
C-IB-38X24*	\$3,584	100#	175#
<b>WITH 10-CIRCUIT COLD PLATE</b>			
C-IB-38X24-CP10	\$5,666	190#	175#

\*NOTE: This model is manufactured to order and is not returnable

NOTE: Ice bins intended to store potable ice must be ordered with an ice bin cover to maintain the sanitation listing

### PRODUCT INFORMATION

(see CB-IB-38x24 Spec Sheet for complete details)

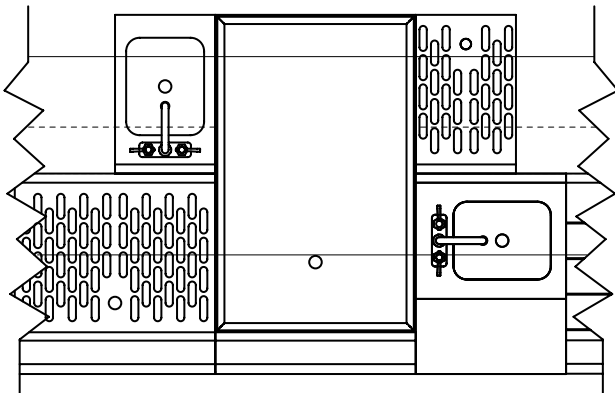
#### STANDARD FEATURES

- For pass thru design applications allowing both bartender and cocktail server access
- All stainless steel construction
- PVC plastic breaker strip around ice bin liner acts as a thermal barrier to prevent heat transfer
- Adjustable stainless steel bullet feet

### PASS THRU ICE BIN ACCESSORIES

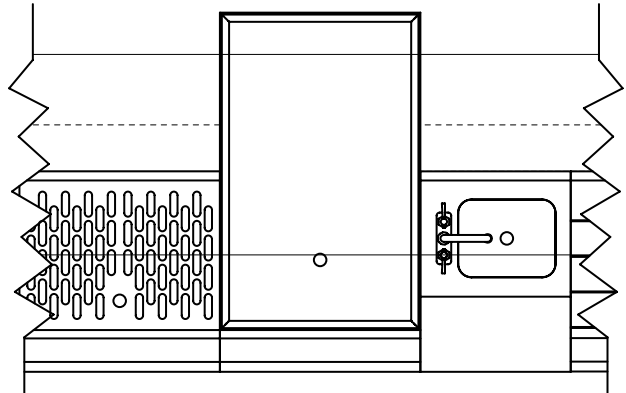
<u>MODEL</u>	<u>DESCRIPTION</u>	<u>LIST</u>	<u>WGT</u>
C-SR-24	24" single speed rail	\$251	7#
C-DR-24	24" double speed rail	\$496	14#
C-IBC-38X24	Three-piece sliding stainless steel cover	\$373	14#
C-BW6-38X24	Set of two BW3 bottle wells with four-piece stainless steel sliding cover for C-IB-38X24	\$555	20#
CCD	Garnish dispenser, stainless steel with hinged plexi-glass lid and six 16 oz. cups	\$243	5#
IBD-H-P	Ice bin divider for C-IB-38X24	\$198	4#
IBD-H-P-CP	Ice bin divider for C-IB-38X24-CP10	\$213	4#
IBD-H-P-LR	Ice bin divider, left to right, for C-IB-38X24	\$152	4#

Bar Fabrication - Choice



BARTENDER SIDE

Underbar Plan View with Pass-Thru Ice Bin and Back-to-Back Mounted Underbar



BARTENDER SIDE

Underbar Plan View with Pass-Thru Ice Bin

Patented. For more information visit:  
<https://www.glastender.com/patents>



C-SHA-6

**19" DEEP SODA GUN HOLDERS**

MODEL	LIST	LENGTH	WEIGHT
C-SHA-4	\$855	4"	22#
C-SHA-4-ED	\$909	4"	24#
C-SHA-6	\$897	6"	25#
C-SHA-6-ED	\$957	6"	27#

**24" DEEP SODA GUN HOLDERS**

C-SHB-4	\$907	4"	22#
C-SHB-4-ED*	\$973	4"	24#
C-SHB-6	\$949	6"	25#
C-SHB-6-ED*	\$1,019	6"	27#

**38" DEEP PASS THRU SODA GUN HOLDERS**

C-SHP-4*	\$1,426	4"	32#
C-SHP-4-ED*	\$1,520	4"	34#
C-SHP-6*	\$1,509	6"	35#
C-SHP-6-ED*	\$1,610	6"	37#

\*NOTE: These items are manufactured to order and are not returnable

Bar Fabrication - Choice

**PRODUCT INFORMATION**

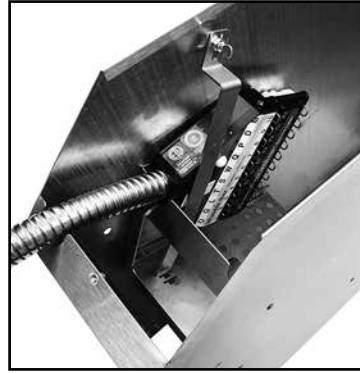
(see C-SH Spec Sheet for complete details)

**STANDARD FEATURES**

- All stainless steel construction
- Designed to house the manifold of Wunder-Bar® or Schroeder America™ 8 to 14 button soda guns
- Includes integral drip pan with radius corners for easy cleaning
- Built-in holder for soda gun
- Top cover is removable for access to the soda manifold
- Allows you to dictate the soda gun location
- Eliminates the need for tubing bundles above the work surface
- Designed to mount to at least one other piece of underbar equipment (there is no provision for leg mounting)
- Pre-aligned mounting holes and bolts ensure a secure and exact fit when mounting adjoining units
- Extra deep “-ED” models available to align with extra-deep style ice bins



C-SMHA-6



C-SMHA-6 with top cover removed and soda manifold installed

**\*NOTE:** These items are manufactured to order and are not returnable

### 19" DEEP SODA MANIFOLD HOUSINGS

MODEL	LIST	LENGTH	WEIGHT
C-SMHA-4	\$595	4"	20#
C-SMHA-4-ED*	\$638	4"	22#
C-SMHA-6*	\$637	6"	23#
C-SMHA-6-ED*	\$686	6"	25#

### 24" DEEP SODA MANIFOLD HOUSINGS

C-SMHB-4*	\$632	4"	24#
C-SMHB-4-ED*	\$709	4"	26#
C-SMHB-6*	\$676	6"	28#
C-SMHB-6-ED*	\$760	6"	30#

### 38" DEEP PASS THRU MANIFOLD HOUSING

C-SMHP-4*	\$999	4"	35#
C-SMHP-4-ED*	\$1,084	4"	37#
C-SMHP-6*	\$1,076	6"	38#
C-SMHP-6-ED*	\$1,165	6"	40#

### PRODUCT INFORMATION

(see C-SMH Spec Sheet for complete details)

#### STANDARD FEATURES

- All stainless steel construction
- Designed to house the manifold of Wunder-Bar® or Schroeder America™ 8 to 14 button soda guns
- Once installed, the top of the housing is 34" high
- Top cover is removable for access to the soda manifold
- Eliminates the need for tubing bundles above the work surface
- Mounts to an adjacent piece of Choice underbar (there is no provision for leg mounting)
- The soda gun drip cup supplied by the soda gun manufacturer mounts to the underside of your bar top
- Extra deep "-ED" models available to align with extra-deep style ice bins



UMGH



### UNDERCOUNTER MOUNT GUN HOLDER

MODEL	LIST	WGT
UMGH	\$174	3#

14 gauge stainless steel with rubber grommet and plastic drip pan. Grommet is specially sized to properly hold both Wunder-Bar® and Schroeder America™ style soda guns. Includes 10' of drain line tube.

# Choice Tubing Chases\*



C-TCA

**\*NOTE:** Choice Tubing Chases are manufactured to order and are not returnable

### PRODUCT INFORMATION

(see C-TC Spec Sheet for complete details)

#### STANDARD FEATURES

- All stainless steel construction
- Tubing chase is 5-1/2" x 6" x 4" high
- Mounts between adjacent underbar equipment (there is no provision for leg mounting)
- Can be set in place after beverage lines are installed

### TUBING CHASES

MODEL	LIST	LENGTH	DEPTH	WEIGHT
C-TCA	\$590	6"	19"	20#
C-TCB	\$670	6"	24"	24#



C-BSA-12

## PRODUCT INFORMATION

(see C-BS and C-FBS Spec Sheets for complete details)

### STANDARD FEATURES

- All stainless steel construction
- One-piece seamless top and backsplash
- Adjustable stainless steel bullet feet
- Sink models have 9-1/4" by 11-1/2" by 6" deep sink bowl with hot and cold water faucet.
- Blender shelf features radius interior corners for easy cleaning
- Power cord access hole with grommet located on front skirt, behind the blender
- 24" deep models have a 9" deep shelf
- 29" deep models have a 10" deep shelf
- Junction box for duplex GFI outlet mounted underneath blender shelf (outlet not included)



C-FBSA-12

### 24" DEEP BLENDER STATIONS

MODEL	LIST	LENGTH	WEIGHT
C-BSA-12	\$2,112	12"	48#
C-BSA-14	\$2,089	14"	50#
C-BSA-18L †*	\$2,178	18"	55#
C-BSA-18R †*	\$2,178	18"	55#

### 29" DEEP BLENDER STATIONS

C-BSB-12*	\$2,232	12"	53#
C-BSB-14*	\$2,278	14"	55#
C-BSB-18*	\$2,381	18"	60#

† Denotes faucet location as left or right

### 24" DEEP FILLERBOARD BLENDER STATIONS

MODEL	LIST	LENGTH	WEIGHT
C-FBSA-12*	\$1,217	12"	40#
C-FBSA-14*	\$1,251	14"	42#
C-FBSA-18*	\$1,301	18"	45#

### 29" DEEP FILLERBOARD BLENDER STATIONS

C-FBSB-12*	\$1,253	12"	45#
C-FBSB-14*	\$1,290	14"	47#
C-FBSB-18*	\$1,342	18"	50#

\*NOTE: These blender stations are manufactured to order and are not returnable

Bar Fabrication - Choice



Optional foot-operated faucets

- |              |              |
|--------------|--------------|
| <b>FOF-B</b> | <b>FOF-D</b> |
| • C-BSA-12   | • C-BSA-14   |
|              | • C-BSA-18L  |
|              | • C-BSA-18R  |
|              | • C-BSB-12   |
|              | • C-BSB-14   |
|              | • C-BSB-18   |



C-BBS-12

Additional blender shelf space can be added to standard underbar units by specifying a Choice Bolt-on Blender Shelf. Choice Bolt-on Blender Shelves are 10" deep and include a junction box for duplex outlet (outlet not included) mounted below the shelf.

### CHOICE BOLT-ON BLENDER SHELVES

MODEL	DESCRIPTION	LIST	WGT
C-BBS-12	12" bolt-on blender shelf	\$368	12#
C-BBS-18	18" bolt-on blender shelf	\$398	18#

### CONFIGURABLE OPTIONS

MODEL	DESCRIPTION	LIST	WGT
FOF-B	Convert C-BSA-12 to foot-operated backsplash faucet	\$697	3#
FOF-D	Convert C-BSA-14, C-BSA-18L, C-BSA-18R, C-BSB-12, C-BSB-14, and C-BSB-18 to foot-operated deck faucet	\$532	3#

### ACCESSORIES

MODEL	DESCRIPTION	LIST	WGT
03000483	Wet waste sink strainer	\$70	1#
C-LS15-F	Left side splash for 24"d blender station	\$189	4#
C-RS15-F	Right side splash for 24"d blender station	\$189	4#
C-LSA-F	Left side splash for 29"d blender station	\$189	4#
C-RSA-F	Right side splash for 29"d blender station	\$189	4#
TR	Towel ring	\$25	1#

**WARNING:** The plastic wet waste strainer included with this product can expose you to chemicals including Bisphenol A (BPA), which is known to the State of California to cause birth defects or other reproductive harm. For more information, go to [www.P65Warnings.ca.gov](http://www.P65Warnings.ca.gov). **Warning applies to State of California only.** Part #03000483



C-FBB-24

**PRODUCT INFORMATION**

(see C-FB Spec Sheet for complete details)

**STANDARD FEATURES**

- All stainless steel construction
- Adjustable stainless steel bullet feet
- One-piece seamless top and backsplash

Choice Fillerboards are constructed of all stainless steel and include a flat work surface for situations where a draining work surface is not desired. Fillerboards are not typically used for glass storage, but are more commonly used as a place to set a printer, POS system, or cash drawer.

**19" DEEP FILLERBOARDS**

MODEL	LIST	LENGTH	WEIGHT
C-FBA-18	\$1,110	18"	40#
C-FBA-24	\$1,211	24"	45#

**24" DEEP FILLERBOARDS**

C-FBB-18	\$1,242	18"	45#
C-FBB-24	\$1,371	24"	50#

\*NOTE: Fillerboards are manufactured to order and are not returnable

**FILLERBOARD ACCESSORIES**

MODEL	DESCRIPTION	LIST	WGT
C-SR-18	18" single speed rail	\$229	6#
C-SR-24	24" single speed rail	\$251	7#
C-DR-18	18" double speed rail	\$456	11#
C-DR-24	24" double speed rail	\$496	14#
C-LSA-F	Left side splash for C-FBA models	\$189	4#
C-RSA-F	Right side splash for C-FBA models	\$189	4#
C-LSB-F	Left side splash for C-FBB models	\$220	5#
C-RSB-F	Right side splash for C-FBB models	\$220	5#



C-RBD-18

**PRODUCT INFORMATION**

(see C-RDB Spec Sheet for complete details)

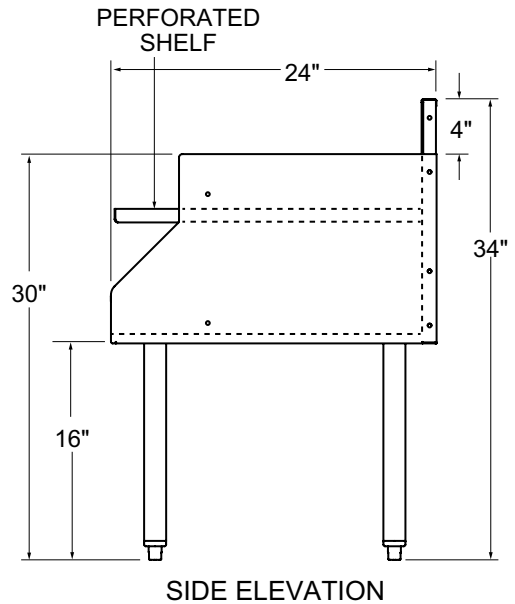
**STANDARD FEATURES**

- All stainless steel construction
- Adjustable stainless steel bullet feet
- One-piece seamless top and backsplash featuring 1/4" radius corners for easy cleaning
- Corrugated work surface
- Lift-out stainless steel perforated shelf for stacking glassware

\*NOTE: Recessed drainboards are manufactured to order and are not returnable

**RECESSED DRAINBOARDS**

MODEL	LIST	LENGTH	WEIGHT
C-RDB-12	\$1,301	12"	50#
C-RDB-18	\$1,445	18"	55#
C-RDB-24	\$1,598	24"	60#



Recessed drainboards have the same corrugated work surface as normal drainboards except the work surface has been lowered to allow stacking of glassware. A perforated shelf is placed on top of the first level of glassware and a second layer of glassware is stacked on top of it. Recessed drainboards work best when only one style of glassware is being stored.



C-DBB-12

**PRODUCT INFORMATION**

(see C-DB Spec Sheet for complete details)

**STANDARD FEATURES**

- All stainless steel construction
- Adjustable stainless steel bullet feet
- Corrugated work surface
- One-piece seamless top and backsplash featuring 1/4" radius corners for easy cleaning
- Standard models available in 6" incremental lengths from 12" to 48"
- 24" deep models provide a larger drainboard storage area not just a deck extension on the back of the 19" deep model

**19" DRAINBOARDS**

MODEL	LIST	LENGTH	WEIGHT
C-DBA-12	\$1,072	12"	45#
C-DBA-18	\$1,156	18"	50#
C-DBA-24	\$1,241	24"	55#
C-DBA-30*	\$1,326	30"	60#
C-DBA-36*	\$1,411	36"	65#
C-DBA-42*	\$1,496	42"	70#
C-DBA-48*	\$1,580	48"	75#

**24" DRAINBOARDS**

C-DBB-12	\$1,155	12"	50#
C-DBB-18	\$1,251	18"	55#
C-DBB-24	\$1,346	24"	60#
C-DBB-30*	\$1,442	30"	65#
C-DBB-36*	\$1,537	36"	70#
C-DBB-42*	\$1,632	42"	75#
C-DBB-48*	\$1,728	48"	80#

**DRAINBOARD ACCESSORIES**

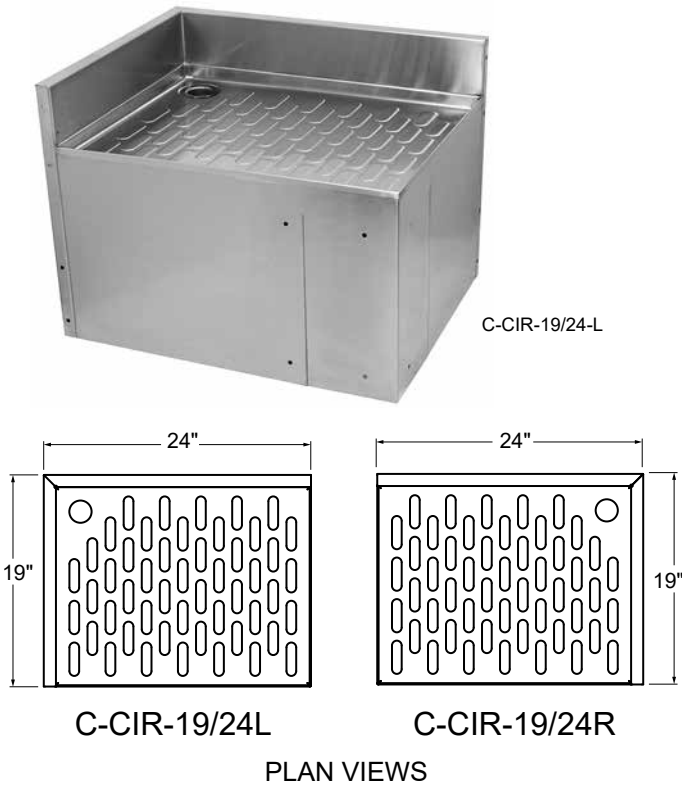
MODEL	DESCRIPTION	LIST	WEIGHT
C-SR-12	12" single speed rail	\$207	5#
C-SR-18	18" single speed rail	\$229	6#
C-SR-24	24" single speed rail	\$251	7#
C-SR-30	30" single speed rail	\$273	9#
C-SR-36	36" single speed rail	\$296	10#
C-SR-42	42" single speed rail	\$318	12#
C-SR-48	48" single speed rail	\$340	13#
C-DR-12	12" double speed rail	\$416	9#
C-DR-18	18" double speed rail	\$456	11#
C-DR-24	24" double speed rail	\$496	14#
C-DR-30	30" double speed rail	\$536	16#
C-DR-36	36" double speed rail	\$577	18#
C-DR-42	42" double speed rail	\$617	21#
C-DR-48	48" double speed rail	\$657	24#
C-LSA-D	Left side splash for C-DBA models	\$189	4#
C-RSA-D	Right side splash for C-DBA models	\$189	4#
C-LSB-D	Left side splash for C-DBB models	\$220	5#
C-RSB-D	Right side splash for C-DBB models	\$220	5#

\*NOTE: These items are manufactured to order and are not returnable

Corner Inside Rectangle Drainboards are for 90° inside turns only. The dimensions of the corner are specified in the model number. If the dimensions of each side are not the same, the longest dimension is specified second along with its location.

Corner drainboards are designed to mount between two pieces of Choice underbar. However, they can also be mounted between any two stable vertical surfaces. Corners should not be mounted to objects that are mobile or on casters.

Configurable leg set options are available for one-side mounting. Because they are intended to mount between two vertical surfaces, corner drainboards do not come standard with legs. If one side of the corner does not have a vertical surface on which to mount, then a leg set must be ordered.



**CORNER INSIDE RECTANGLE DRAINBOARDS WITH CHAMFERED BACK CORNER**

**PLAN VIEWS**

CORNER INSIDE RECTANGLE DRAINBOARDS WITH CHAMFERED BACK CORNER				
C-CIR-19/19-N*	\$1,244	19"	19"	40#
C-CIR-24/24-N*	\$1,377	24"	24"	50#
C-CIR-24/24-LN*	\$1,267	24"	24"	45#

**Bar Fabrication - Choice**

CORNER INSIDE RECTANGLE DRAINBOARDS				
MODEL	LIST	LEFT	RIGHT	WEIGHT
C-CIR-19/19*	\$1,206	19"	19"	40#
C-CIR-19/24L*	\$1,271	24"	19"	45#
C-CIR-19/24R*	\$1,271	19"	24"	45#
C-CIR-19/30L*	\$1,349	30"	19"	50#
C-CIR-19/30R*	\$1,349	19"	30"	50#
C-CIR-24/24	\$1,344	24"	24"	50#
C-CIR-24/30L	\$1,429	30"	24"	55#
C-CIR-24/30R	\$1,429	24"	30"	55#

**PRODUCT INFORMATION**  
(see C-CIR Spec Sheet for complete details)

**STANDARD FEATURES**

- All stainless steel construction
- Designed to mount between two adjacent pieces of Choice underbar equipment
- Corrugated work surface features 1/4" radius corners for easy cleaning

**CONFIGURABLE LEG SET OPTION**

DESCRIPTION	LIST
Leg set, one-side mounting	\$149

\*NOTE: These items are manufactured to order and are not returnable

Corner outside wedge drainboards and inside wedge fillerboards are 24" deep and designed to mount between two pieces of Choice underbar. However, they can be mounted between any two stable vertical surfaces. Corners should not be mounted to objects that are mobile or on casters.

Configurable leg set options are available for one-side mounting for C-COWB-45 and C-CIWB-45 only. Because they are intended to mount between two vertical surfaces, these models do not come standard with legs. If one side of either C-COWB-45 or C-CIWB-45 does not have a vertical surface on which to mount, then a leg set must be ordered.



C-COWB-45



C-CIWB-15

## 24" DEEP CORNER OUTSIDE WEDGE DRAINBOARDS

MODEL	LIST	DEGREE	TURN	WEIGHT
C-COWB-45	\$1,176	45°	Outside	40#

\*NOTE: Choice Corner Outside Wedge Drainboards are manufactured to order and are not returnable

### PRODUCT INFORMATION

(see C-COW Spec Sheet for complete details)

### STANDARD FEATURES

- All stainless steel construction
- Designed to mount between two adjacent pieces of Choice underbar equipment
- Corrugated work surface features 1/4" radius corners for easy cleaning

## 24" DEEP CORNER INSIDE WEDGE FILLERBOARDS

MODEL	LIST	DEGREE	TURN	WEIGHT
C-CIWB-5	\$477	5°	Inside	25#
C-CIWB-10	\$501	10°	Inside	27#
C-CIWB-15	\$651	15°	Inside	29#
C-CIWB-20	\$668	20°	Inside	31#
C-CIWB-25	\$686	25°	Inside	33#
C-CIWB-30	\$704	30°	Inside	35#
C-CIWB-45	\$1,202	45°	Inside	38#

\*NOTE: Choice Corner Inside Wedge Fillerboards are manufactured to order and are not returnable

### PRODUCT INFORMATION

(see C-CIWB Spec Sheet for complete details)

### STANDARD FEATURES

- All stainless steel construction
- Designed to mount between two adjacent pieces of Choice underbar equipment
- Flat work surface excluding 45° model which features a corrugated work surface

## CONFIGURABLE LEG SET OPTION

APPLICABLE MODEL	DESCRIPTION	LIST
C-COWB-45	Leg set, one-side mounting	\$149
C-CIWB-45	Leg set, one-side mounting	\$149

Glassracks are designed to hold racks of glassware stacked on top of each other. The 24" wide model holds 20" by 20" racks and the 18" wide models hold the 16" round racks used with the Glastender GT-18 glasswashers. Optional shelves are available as an accessory.

### PRODUCT INFORMATION

(see C-GR Spec Sheet for complete details)

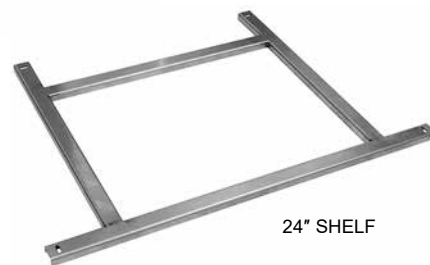
#### STANDARD FEATURES

- All stainless steel construction
- Adjustable stainless steel bullet feet
- Full bottom shelf includes drain

\*NOTE: Choice Open Glassracks are manufactured to order and are not returnable



C-GRA-24



24" SHELF

#### 19" DEEP OPEN GLASSRACKS

MODEL	LIST	LENGTH	WEIGHT
C-GRA-18	\$1,396	18"	55#
C-GRA-24	\$1,558	24"	65#

#### 24" DEEP OPEN GLASSRACKS

C-GRB-18	\$1,600	18"	65#
C-GRB-24	\$1,774	24"	75#

#### OPEN GLASSRACK ACCESSORY

MODEL	DESCRIPTION	LIST	WEIGHT
03013601	Shelf kit for 18" wide model, includes two shelves and eight clips	\$515	7#
03013602	Shelf kit for 24" wide model, includes two shelves and eight clips	\$536	8#

# Choice Drainboard Glassracks



C-DBG3-24

Drainboard Glassracks are designed to hold racks for glassware. All models are 24" deep. The 24" wide model holds 20" by 20" racks and the 18" wide model holds the 16" round racks used with Glastender GT-18 glasswashers.

### PRODUCT INFORMATION

(see C-DBG Spec Sheet for complete details)

#### STANDARD FEATURES

- All stainless steel construction
- Adjustable stainless steel bullet feet
- One-piece seamless top and backsplash featuring 1/4" radius corners for easy cleaning
- Corrugated work surface
- Includes bottom floor and two sets of rack slides for storing up to three glass racks below the work surface

NOTE: Three racks up to 7" high or two racks up to 10-1/2" high.

#### 24" DEEP DRAINBOARD GLASSRACKS

MODEL	LIST	LENGTH	WEIGHT
C-DBG3-18	\$1,840	18"	70#
C-DBG3-24	\$2,018	24"	80#

#### DRAINBOARD GLASSRACK ACCESSORIES

MODEL	DESCRIPTION	LIST	WGT
C-LSB-D	Left side splash for 24"d (B) models	\$220	5#
C-RSB-D	Right side splash for 24"d (B) models	\$220	5#

Drainboard Cabinets have a bottom shelf and drainboard work surface. An adjustable intermediate shelf is available as an accessory. They are available with or without doors. The models with doors come with a lock standard. The 12", 18", and 24" wide models only have one door and all other models have two doors.



C-DBC-24

### PRODUCT INFORMATION

(see C-DBC Spec Sheet for complete details)

#### STANDARD FEATURES

- All stainless steel construction
- Adjustable stainless steel bullet feet
- One-piece seamless top and backsplash featuring 1/4" radius corners for easy cleaning
- Corrugated work surface
- Lock(s) standard on models with a door(s)
- Units with a single door come hinged left, but the door is field reversible
- Plumbing connection is made underneath the unit and does not interfere with shelf or floor

#### DRAINBOARD CABINET ACCESSORIES

MODEL	DESCRIPTION	LIST	WEIGHT
03013585	Shelf kit for C-DBCA-12	\$259	5#
03013586	Shelf kit for C-DBCA-18	\$272	6#
03013587	Shelf kit for C-DBCA-24	\$286	7#
03013588	Shelf kit for C-DBCA-30	\$301	8#
03013589	Shelf kit for C-DBCA-36	\$315	10#
03013590	Shelf kit for C-DBCA-42	\$330	11#
03013591	Shelf kit for C-DBCA-48	\$345	12#
03013592	Shelf kit for C-DBC-12	\$268	5#
03013593	Shelf kit for C-DBC-18	\$287	7#
03013594	Shelf kit for C-DBC-24	\$305	8#
03013595	Shelf kit for C-DBC-30	\$324	10#
03013596	Shelf kit for C-DBC-36	\$342	12#
03013597	Shelf kit for C-DBC-42	\$360	13#
03013598	Shelf kit for C-DBC-48	\$379	15#
C-LSA-D	Left side splash for 19"d (A) models	\$189	4#
C-RSA-D	Right side splash for 19"d (A) models	\$189	4#
C-LSB-D	Left side splash for 24"d (B) models	\$220	5#
C-RSB-D	Right side splash for 24"d (B) models	\$220	5#

#### 19" DRAINBOARD CABINETS\*

MODEL	LIST	LENGTH	WEIGHT
C-DBCA-12	\$2,004	12"	65#
C-DBCA-18	\$2,244	18"	75#
C-DBCA-24	\$2,484	24"	85#
C-DBCA-30	\$2,884	30"	95#
C-DBCA-36	\$3,121	36"	105#
C-DBCA-42	\$3,361	42"	115#
C-DBCA-48	\$3,601	48"	125#

#### 19" DRAINBOARD CABINETS LESS DOORS\*

C-DBCA-12-LD	\$1,448	12"	59#
C-DBCA-18-LD	\$1,602	18"	66#
C-DBCA-24-LD	\$1,756	24"	73#
C-DBCA-30-LD	\$1,911	30"	80#
C-DBCA-36-LD	\$2,066	36"	87#
C-DBCA-42-LD	\$2,220	42"	94#
C-DBCA-48-LD	\$2,373	48"	101#

#### 24" DRAINBOARD CABINETS

C-DBC-12	\$1,998	12"	75#
C-DBC-18	\$2,240	18"	85#
C-DBC-24	\$2,481	24"	95#
C-DBC-30*	\$2,876	30"	105#
C-DBC-36*	\$3,117	36"	115#
C-DBC-42*	\$3,358	42"	125#
C-DBC-48*	\$3,602	48"	135#

#### 24" DRAINBOARD CABINETS LESS DOORS

C-DBC-12-LD	\$1,476	12"	69#
C-DBC-18-LD	\$1,640	18"	76#
C-DBC-24-LD	\$1,804	24"	83#
C-DBC-30-LD*	\$1,967	30"	90#
C-DBC-36-LD*	\$2,128	36"	97#
C-DBC-42-LD*	\$2,291	42"	104#
C-DBC-48-LD*	\$2,457	48"	111#

\*NOTE: These items are manufactured to order and are not returnable



C-HSA-12-D



C-DHSB-12

### CONFIGURABLE OPTIONS

MODEL	DESCRIPTION	LIST	WEIGHT
C-LSA-D	Left side splash for 19"deep (A) models	\$189	4#
C-RSA-D	Right side splash for 19"deep (A) models	\$189	4#
C-LSB-D	Left side splash for 24"deep (B) models	\$220	5#
C-RSB-D	Right side splash for 24"deep (B) models	\$220	5#
FOF-D	Foot-operated deck faucet for C-DHSB-12, C-HSA-12, C-HSA-12-D, C-HSB-12, C-HSB-12-D, C-SWA-12, and C-SWB-12	\$532	3#
KOF-D	Knee-operated deck faucet for C-HSB-12 and C-SWB-12	\$550	3#



FOF-D  
Optional foot-operated deck faucet



KOF-D  
Optional knee-operated deck faucet

NOTE: FOF and KOF - see table for applicable models

### ACCESSORIES

MODEL	DESCRIPTION	LIST	WEIGHT
C-SR-12	12" single speed rail, cannot mount to "-D" models	\$207	5#
C-DR-12	12" double speed rail, cannot mount to "-D" models	\$416	9#
C-DWR-S	Dry waste rail, aligns with single speed rail, cannot mount to "-D" models	\$231	5#
C-DWR-D	Dry waste rail, aligns with double speed rail, cannot mount to "-D" models	\$472	9#
03000483	Wet waste sink strainer (standard on "C-SW" models)	\$70	2#
03000511	Wrist handles, set of two	\$59	2#
TR	Towel ring	\$25	1#
DWC	Trash receptacle, stainless steel	\$618	10#
03005491	Trash receptacle, 28½ qt., gray plastic	\$88	5#
TD-C	Paper towel dispenser, C-fold	\$338	5#
03001873	Liquid soap dispenser, hand-pump	\$98	1#
03014739	Aerator, faucet, 1.5 GPM	\$18	1#
03014738	Aerator, faucet, 0.5 GPM	\$18	1#
03014737	Aerator, faucet, 0.2 GPM	\$18	1#

### 19" DEEP HAND SINKS

MODEL	LIST	LENGTH	WEIGHT
C-HSA-12	\$1,867	12"	45#
C-HSA-12-D	\$2,224	12"	50#

### 19" DEEP WET WASTE SINK

C-SWA-12	\$1,937	12"	47#
----------	---------	-----	-----

### 24" DEEP HAND SINKS

C-DHSB-12	\$2,460	12"	60#
C-HSB-12	\$1,968	12"	50#
C-HSB-12-D	\$2,333	12"	55#

### 24" DEEP WET WASTE SINK

C-SWB-12	\$2,038	12"	52#
----------	---------	-----	-----

### PRODUCT INFORMATION

(see C-DHSB, C-HS, and C-SW Spec Sheets for complete details)

**⚠ WARNING:** The plastic wet waste strainer included with this product can expose you to chemicals including Bisphenol A (BPA), which is known to the State of California to cause birth defects or other reproductive harm. For more information, go to [www.P65Warnings.ca.gov](http://www.P65Warnings.ca.gov). **Part #03000483**  
**Warning applies to State of California only.**



03000483

All Sink Cabinets are 24" deep and available with or without a locking door. The 12" wide chemical storage cabinet holds three 1-gallon chemical containers. The 18" wide dry waste cabinet holds a trash receptacle and has a 6" round trash chute in the work surface. The trash receptacle is not included.

The two 24" wide models include a 12" drainboard section with corrugated work surface. A vertical center divider allows three 1-gallon chemical containers to be stored below the sink with the other side of the cabinet available for additional storage. An intermediate shelf for the cabinet storage below the drainboard is available as an accessory. The sink may be located to the left or right, which is signified by the L or R in the model number.



C-SC-12



C-SC-18



C-SC-24R

Bar Fabrication - Choice

### 12" WIDE X 24" DEEP SINK CABINETS

MODEL	LIST	LTH	WGT
C-SC-12	\$2,820	12"	70#
C-SC-12-LD	\$2,334	12"	64#

### 18" WIDE X 24" DEEP SINK CABINETS

MODEL	LIST	LTH	WGT
C-SC-18	\$2,996	18"	80#
C-SC-18-LD	\$2,406	18"	71#

### 24" WIDE X 24" DEEP SINK CABINETS

MODEL	LIST	LTH	WGT
C-SC-24L*	\$3,607	24"	95#
C-SC-24R*	\$3,607	24"	95#
C-SC-24L-LD*	\$2,878	24"	83#
C-SC-24R-LD*	\$2,878	24"	83#

\* = L = Sink Left, R = Sink Right

### PRODUCT INFORMATION

(see C-SC Spec Sheet for complete details)

#### STANDARD FEATURES

- Manufactured with total welded construction to meet NSF® standards
- All stainless steel construction
- One-piece seamless top and backsplash featuring 1/4" radius corners for easy cleaning
- Adjustable stainless steel feet
- 9-1/4" by 11-1/2" by 6" deep sink bowl with hot and cold water gooseneck faucet
- Cabinet base with front hinged access door (available less door - specify "-LD" suffix in model number)

Optional foot-operated faucet

FOF-D

- C-SC-12
- C-SC-12-LD
- C-SC-18
- C-SC-18-LD
- C-SC-24L
- C-SC-24R
- C-SC-24L-LD
- C-SC-24R-LD



### CONFIGURABLE OPTIONS

MODEL	DESCRIPTION	LIST	WEIGHT
C-LSB-D	Left side splash	\$220	5#
C-RSB-D	Right side splash	\$220	5#
FOF-D	Convert to foot-operated deck faucet for C-SC-12, C-SC-12-LD, C-SC-18, C-SC-18-LD, C-SC-24L, C-SC-24R, C-SC-24L-LD, & C-SC-24R-LD models	\$532	3#

### ACCESSORIES

MODEL	DESCRIPTION	LIST	WEIGHT
03000483	Wet waste strainer	\$70	2#
DWC	Trash receptacle, stainless steel, for C-SC-18 models	\$618	10#
03005491	Trash receptacle, 28-1/2 qt, plastic, for C-SC-18 models	\$88	5#
TR	Towel ring	\$25	1#
03013600	Shelf kit for storage area below drainboard on C-SC-24 models	\$281	5#
03000511	Wrist handles (set of two)	\$59	2#

**WARNING:** The plastic wet waste strainer included with this product can expose you to chemicals including Bisphenol A (BPA), which is known to the State of California to cause birth defects or other reproductive harm. For more information, go to [www.P65Warnings.ca.gov](http://www.P65Warnings.ca.gov). **Warning applies to State of California only.** Part #03000483

**All faucets are certified low lead compliant**

### C-MFS-12 MIXOLOGY UNIT\*

Includes backsplash faucet, a lift-out perforated plastic sink strainer, and a 8" x 11" cutting board that is securely mounted but easily removable for cleaning

MODEL	LIST	LTH	WGT
C-MFS-12	\$2,707	12"	55#

\*NOTE: This unit is manufactured to order and is not returnable

### C-MFT-8 MIXOLOGY UNIT\*

Includes push-down rinser faucet to rinse shaker cans, a 6" diameter seamless welded draining dipper well and faucet for mixology tools, and a 7-1/2" x 7-1/2" cutting board that is securely mounted but easily removable for cleaning. NOTE: No legs. Must mount to adjacent underbar.

MODEL	LIST	LTH	WGT
C-MFT-8	\$2,735	8"	40#

\*NOTE: This unit is manufactured to order and is not returnable

### C-MFT-20 MIXOLOGY UNIT

Includes backsplash faucet, push-down rinser faucet to rinse shaker cans, a lift-out perforated plastic sink strainer, a 6" diameter seamless welded draining dipper well and faucet for mixology tools, a 8" x 11" cutting board that is securely mounted but easily removable for cleaning, and an ice scoop well

MODEL	LIST	LTH	WGT
C-MFT-20	\$4,454	20"	65#

### C-MRS-12 MIXOLOGY UNIT

Includes backsplash faucet, push-down rinser faucet to rinse shaker cans, and a lift-out perforated plastic sink strainer

MODEL	LIST	LTH	WGT
C-MRS-12	\$2,720	12"	55#

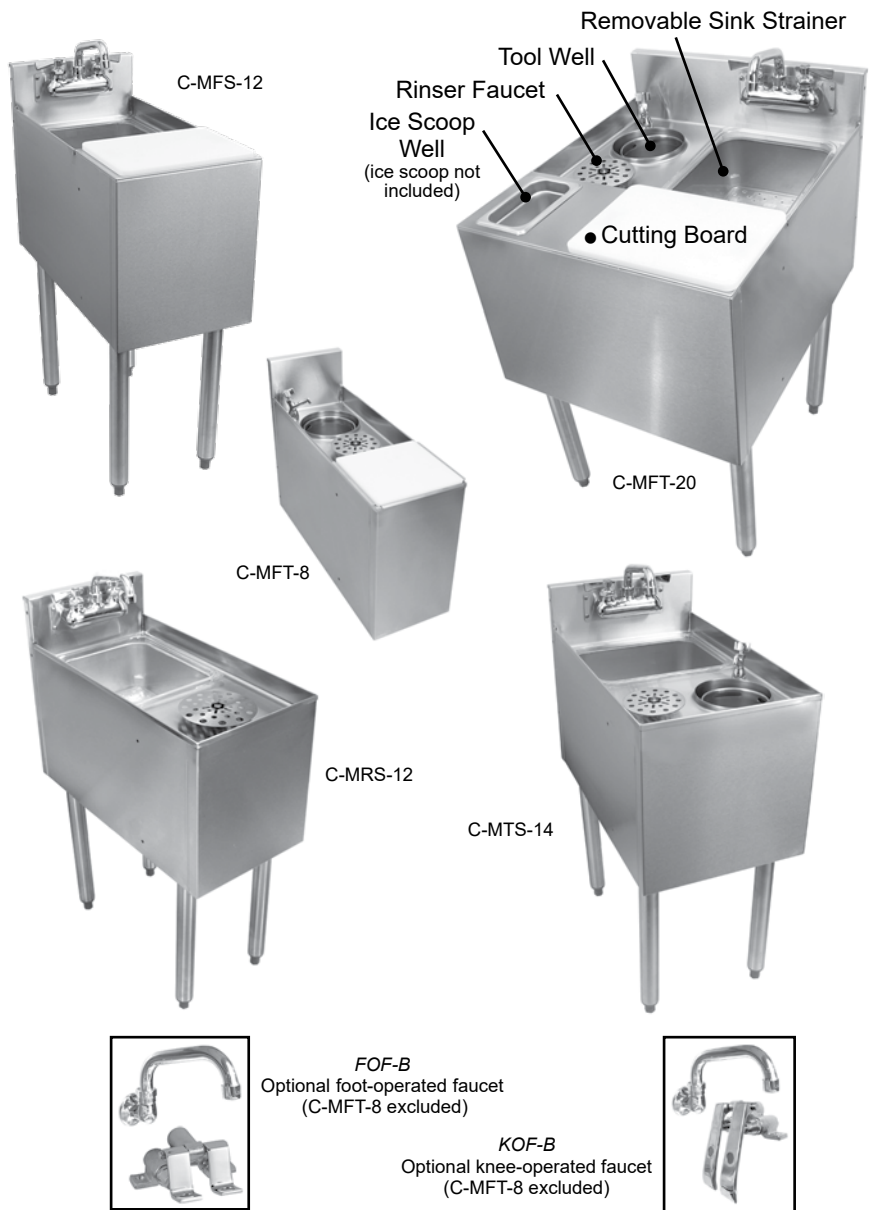
### C-MTS-14 MIXOLOGY UNIT

Includes backsplash faucet, push-down rinser faucet to rinse shaker cans, a lift-out perforated plastic sink strainer, a 6" diameter seamless welded draining dipper well and faucet for mixology tools

MODEL	LIST	LTH	WGT
C-MTS-14	\$4,049	14"	55#

Rinser faucet installation notes:

- Important: Unit must be installed in conformance with applicable federal, state, and local plumbing codes, including adequate backflow when required.
- Must install backflow prevention device conforming to ANSI/ASSE 1022 or ANSI/ASSE 1024 to meet plumbing code (not included).
- Install in-line water regulator (included).
- A separate shut-off valve is recommended (not included).



### CONFIGURABLE OPTIONS

MODEL	DESCRIPTION	LIST	WGT
C-LSM	Left side splash, C-MFS-12, C-MFT-8, C-MFT-20	\$189	4#
C-RSM	Right side splash, C-MFS-12, C-MFT-8, C-MFT-20	\$189	4#
C-LSB-D	Left side splash, C-MRS12, C-MTS-14	\$220	5#
C-RSB-D	Right side splash, C-MRS12, C-MTS-14	\$220	5#
FOF-B	Foot-operated backsplash faucet (C-MFT-8 excluded)	\$697	3#
KOF-B	Knee-operated backsplash faucet (C-MFT-8 excluded)	\$713	3#

**WARNING:** The plastic wet waste strainer included with this product can expose you to chemicals including Bisphenol A (BPA), which is known to the State of California to cause birth defects or other reproductive harm. For more information, go to [www.P65Warnings.ca.gov](http://www.P65Warnings.ca.gov). **Warning applies to State of California only.** Part #03000483

**Bar Fabrication - Choice**

## Two Compartment Sinks

19" DEEP		24" DEEP		OVERALL LENGTH	SINK LOCATION	DRAINBOARD LENGTH	WEIGHT
MODEL	LIST	MODEL	LIST				
C-DSA-24*	\$3,334	C-DSB-24*	\$3,341	24"	Center	N/A	90#
C-DSA-36L*	\$3,500	C-DSB-36L*	\$3,562	36"	Left	12"	100#
C-DSA-36R*	\$3,500	C-DSB-36R*	\$3,562	36"	Right	12"	100#
C-DSA-48*	\$3,757	C-DSB-48*	\$3,835	48"	Center	2 @ 12"	110#

## Three Compartment Sinks

C-TSA-36*	\$3,794	C-TSB-36*	\$3,784	36"	Center	N/A	110#
C-TSA-48L*	\$4,030	C-TSB-48L*	\$4,067	48"	Left	12"	120#
C-TSA-48R*	\$4,030	C-TSB-48R*	\$4,067	48"	Right	12"	120#
C-TSA-60	\$4,255	C-TSB-60	\$4,281	60"	Center	2 @ 12"	130#
C-TSA-72*	\$4,365	C-TSB-72*	\$4,441	72"	Center	2 @ 18"	145#
C-TSA-84*	\$4,648	C-TSB-84*	\$4,789	84"	Center	2 @ 24"	160#
C-TSA-96*	\$4,781	C-TSB-96*	\$5,013	96"	Center	2 @ 30"	175#

## Four Compartment Sinks

C-FSA-48*	\$4,703	C-FSB-48*	\$4,790	48"	Center	N/A	125#
C-FSA-72	\$5,038	C-FSB-72	\$5,058	72"	Center	2 @ 12"	155#
C-FSA-84*	\$5,244	C-FSB-84*	\$5,453	84"	Center	2 @ 18"	170#
C-FSA-96*	\$5,441	C-FSB-96*	\$5,602	96"	Center	2 @ 24"	185#

## Multiple Sink Accessories

MODEL	DESCRIPTION	LIST	WGT
C-SR-24	24" single speed rail	\$251	7#
C-SR-36	36" single speed rail	\$296	10#
C-SR-42	42" single speed rail	\$318	12#
C-SR-48	48" single speed rail	\$340	13#
C-SR-60	60" single speed rail	\$445	18#
C-SR-72	72" single speed rail	\$490	23#
C-DR-24	24" double speed rail	\$496	14#
C-DR-36	36" double speed rail	\$577	18#
C-DR-42	42" double speed rail	\$617	21#
C-DR-48	48" double speed rail	\$657	24#
C-DR-60	60" double speed rail	\$840	32#
C-DR-72	72" double speed rail	\$933	40#

NOTE: For 84" sink order two 42" speed rails or for 96" sink order two 48" speed rails.

C-LSA-D	Left side splash for 19"d (A) models	\$189	4#
C-RSA-D	Right side splash for 19"d (A) models	\$189	4#
C-LSB-D	Left side splash for 24"d (B) models	\$220	5#
C-RSB-D	Right side splash for 24"d (B) models	\$220	5#
TR	Towel ring	\$25	1#
LWS	Large wet waste strainer	\$93	3#
03002552	Sink cover, perforated, for C-DS models	\$181	5#
03002553	Sink cover, perforated, for C-TS models	\$271	8#
03002554	Sink cover, perforated, for C-FS models	\$365	12#

## PRODUCT INFORMATION

(see C-DS, C-TS, and C-FS Spec Sheets for complete details)

## STANDARD FEATURES

- All stainless steel construction and adjustable stainless steel bullet feet
- One-piece seamless top and backsplash featuring 1/4" radius corners for easy cleaning
- 20 gauge stainless steel fabricated sink bowls are 70% thicker than the competition's 20 gauge drawn bowls
- 11" by 14" by 10-1/4" deep sink bowl with hot and cold water faucet
- Extra wide sink bowl easily accommodates brush washer
- Perforated stainless steel inserts are available to cover sinks when not in use
- One over-flow tube per sink bowl included



Compartment Sinks come in three different varieties: two, three, and four compartment. They feature a one-piece stainless steel top that is seamless all the way through the backsplash. Each variety is offered with or without built-in drainboards on one or both sides of the sink compartment. The corrugated drainboards, where included, are a seamless and integral part of the work surface. The seamless welded bowls are 20 gauge fabricated stainless steel. An 'L' or 'R' suffix in the model number designates the location of the sink compartment as left or right when there is only one drainboard.

\*NOTE: These compartment sinks are manufactured to order and are not returnable



C-LD-18

**24" DEEP LIQUOR STEPS**

MODEL	WITHOUT LOCKING COVER		WITH LOCKING COVER		LENGTH
	LIST	WEIGHT	LIST	WEIGHT	
C-LD-12	\$1,655	50#	\$2,625	50#	12"
C-LD-18	\$1,770	55#	\$2,827	55#	18"
C-LD-24	\$1,896	60#	\$3,023	60#	24"



Locking cover configurable option (shown on C-LD-12)

**PRODUCT INFORMATION**

(see C-LD Spec Sheet for complete details)

**CONFIGURABLE OPTION**

Locking Cover - The removable locking cover is one-piece and foldable for easy storage. The liquor steps are lowered 4" to accommodate the locking cover.

NOTE: Locking covers must be specified at time of order, cannot be added in the field.



C-PCB-24

**PRODUCT INFORMATION**

(see C-PCB Spec Sheet for complete details)

**STANDARD FEATURES**

- All stainless steel construction
- Adjustable stainless steel bullet feet
- One-piece seamless top and backsplash
- Louvered door for air flow on models with a door
- Lock standard on models with a door
- Special 26" high work surface height to accommodate cash drawer and POS monitor
- Grommated cord access hole in work surface
- Large access hole in back wall of unit

**24" DEEP POS CABINETS**

MODEL	LIST	LENGTH	WEIGHT
C-PCB-18	\$2,742	18"	71#
C-PCB-24	\$3,022	24"	81#

**24" DEEP POS CABINETS LESS DOORS**

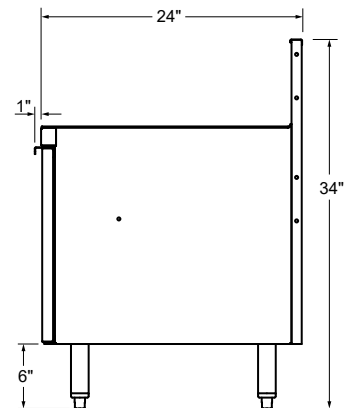
C-PCB-18-LD	\$1,909	18"	62#
C-PCB-24-LD	\$2,106	24"	69#

**CONFIGURABLE OPTIONS\***

MODEL	DESCRIPTION	LIST	WEIGHT
C-LSP	Left side splash	\$189	3#
C-RSP	Right side splash	\$189	3#



C-LSP-3 & C-RSP-3 Accessories (shown on C-PCB-24)



Installation Side Elevation

\*NOTE: Verify cash drawer width before ordering side splash options

## PRODUCT INFORMATION

(see C-IOS Spec Sheet for complete details)

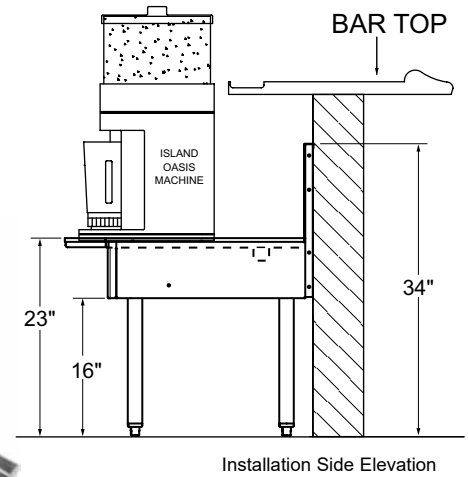
The Choice Island Oasis® Stand is designed for use with the model number SB-3X Island Oasis® machine. The 18" wide by 29" deep stand has a lowered draining work surface and extended front to allow the machine to be stored at a convenient and usable height. In most bar applications, the clear plastic ice container will be visible above the bar top.

### STANDARD FEATURES

- All stainless steel construction
- Adjustable stainless steel bullet feet
- 1" deep drain pan work surface to capture excess moisture
- One-piece seamless top and backsplash featuring 1/4" radius corners for easy cleaning
- Lowered work surface with extended front
- Designed to keep the majority of the Island Oasis® (model #SB-3X) below the bar top with only the clear plastic ice tub visible above the bar top
- Chamfered front to eliminate "knee knockers"



C-IOS-18



Installation Side Elevation

\*NOTE: Choice Island Oasis Stands are manufactured to order and are not returnable

### ISLAND OASIS® STAND

MODEL	LIST	LENGTH	WEIGHT
C-IOS-18	\$1,606	18"	50#

Bar Fabrication - Choice

# Choice Beer Drainers\*

Pricing effective January 1, 2026

## PRODUCT INFORMATION

(see C-BD Spec Sheet for complete details)

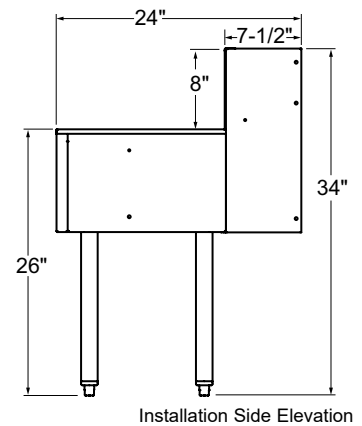
Beer Drainers have a 26" high, lowered work surface and are designed specifically for use with undercounter mounting beverage dispensers. The work surface includes a drain pan with perforated insert to serve as the drip pan for the dispenser and the backsplash is pulled forward 5" to provide access for beverage lines.

### 24" DEEP BEER DRAINERS

MODEL	LIST	LENGTH	WEIGHT
C-BD-18	\$1,211	18"	55#
C-BD-24	\$1,349	24"	60#
C-BD-30	\$1,487	30"	65#
C-BD-36	\$1,625	36"	70#



C-BD-18



Installation Side Elevation

\*NOTE: Beer drainers are manufactured to order and are not returnable

### STANDARD FEATURES

- All stainless steel construction
- Designed with lowered work surface to work in conjunction with undercounter mounting beverage dispensers
- Adjustable stainless steel bullet feet
- Backsplash pulled forward 5" to create large chaseway for beverage line access
- Front drain pan with lift-out stainless steel perforated insert



C-DW-15L

### PRODUCT INFORMATION

(see C-DW Spec Sheet for complete details)

There are four different Dry Waste Chute models to meet various installation requirements.

### STANDARD FEATURES

- Lift-up top for emptying the trash receptacle
- Completely removable top for thorough cleaning
- C-DW-12 mounts between two adjacent pieces of Choice underbar and has no legs
- C-DW-15L and C-DW-15R include a single leg set and mount to an adjacent piece of Choice underbar
- C-DW-14-C† is freestanding
- All models are designed to house a Rubbermaid Slim Jim® trash receptacle

† Patent Pending

24" DEEP DRY WASTE CHUTES					CONFIGURABLE OPTIONS			
MODEL	LIST	LEG POSITION	LENGTH	WEIGHT	MODEL	DESCRIPTION	LIST	WEIGHT
C-DW-12	\$747	N/A	12"	30#	C-LSDW	Left side splash (C-DW-14-C†)	\$189	4#
C-DW-14-C†	\$2,459	N/A	14"	64#	C-RSDW	Right side splash (C-DW-14-C†)	\$189	4#
C-DW-15L	\$1,188	Left	15"	45#	<b>ACCESSORY</b>			
C-DW-15R	\$1,188	Right	15"	45#	MODEL	DESCRIPTION	LIST	WEIGHT
					03000497	Rubbermaid Slim Jim®	\$299	10#

## Choice Clip-On Dry Waste Rails

### PRODUCT INFORMATION

(see C-DWR Spec Sheet for complete details)

There are three different Clip-On Dry Waste Rail models to meet various installation requirements. For all three versions, the dry waste chute portion easily lifts off for thorough cleaning.



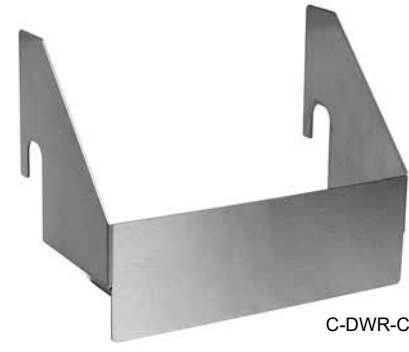
C-DWR-S

The C-DWR-S is 5" deep front-to-back and designed to align with adjacent equipment that has a single speed rail.



C-DWR-D

The C-DWR-D model is 10" deep front-to-back and designed to align with adjacent equipment that has a double speed rail. The C-DWR-D has a speed rail step in the back with the dry waste chute at the front.



C-DWR-C

The C-DWR-C model is designed to clip to another speed rail and adds 5" to the front-to-back depth.

### STANDARD FEATURES

- All stainless steel construction
- Matches speed rail profile for continuity of design
- Bolts to the front skirt of non-cabinet base underbar equipment or clips to the rail of an underbar speed rails
- Stainless steel chute is removable for cleaning

### CLIP-ON DRY WASTE RAILS

MODEL	LIST	LENGTH	DEPTH	WEIGHT
C-DWR-S	\$231	12"	5"	5#
C-DWR-D	\$472	12"	10"	9#
C-DWR-C	\$237	12"	5"	5#

## PRODUCT INFORMATION

(see C-SR and C-DR Spec Sheets for complete details)



C-SR-18



C-DR-24



C-SRC-18



C-SRC-18  
Shown installed  
on speed rail

### SINGLE SPEED RAILS

MODEL	LIST	LENGTH	WEIGHT
C-SR-12	\$207	12"	5#
C-SR-13 to 18	\$229	13" to 18"	6#
C-SR-19 to 24	\$251	19" to 24"	7#
C-SR-25 to 30	\$273	25" to 30"	9#
C-SR-31 to 36	\$296	31" to 36"	10#
C-SR-37 to 42	\$318	37" to 42"	12#
C-SR-43 to 48	\$340	43" to 48"	13#
C-SR-49 to 54	\$423	49" to 54"	16#
C-SR-55 to 60	\$445	55" to 60"	18#
C-SR-61 to 66	\$467	61" to 66"	21#
C-SR-67 to 72	\$490	67" to 72"	23#

### DOUBLE SPEED RAILS

MODEL	LIST	LENGTH	WEIGHT
C-DR-12	\$416	12"	9#
C-DR-13 to 18	\$456	13" to 18"	11#
C-DR-19 to 24	\$496	19" to 24"	14#
C-DR-25 to 30	\$536	25" to 30"	16#
C-DR-31 to 36	\$577	31" to 36"	18#
C-DR-37 to 42	\$617	37" to 42"	21#
C-DR-43 to 48	\$657	43" to 48"	24#
C-DR-49 to 54	\$794	49" to 54"	28#
C-DR-55 to 60	\$840	55" to 60"	32#
C-DR-61 to 66	\$886	61" to 66"	36#
C-DR-67 to 72	\$933	67" to 72"	40#

### LOCKING SPEED RAIL COVERS

MODEL	LIST	LENGTH	WEIGHT
C-SRC-12	\$352	12"	7#
C-SRC-13 to 18	\$381	13" to 18"	9#
C-SRC-19 to 24	\$408	19" to 24"	11#
C-SRC-25 to 30	\$438	25" to 30"	13#
C-SRC-31 to 36	\$470	31" to 36"	16#
C-SRC-37 to 42	\$498	37" to 42"	18#
C-SRC-43 to 48	\$528	43" to 48"	21#

Model number C-MD-41 Choice modular bar die has an overall height of 41", which provides the appropriate overall height for most bar applications. However, some interior designs require an extra thick bar top, so Choice modular bar die is also available with an overall height of 38". See model C-MD-38.

With the Choice Modular Bar Die, underbar equipment is mounted to and supported on the bar die. All the underbar equipment is pre-assembled and mounted to the bar die at the factory, then broken down into shippable sections. Installation of the bar die is very simple - easier than a conventional style underbar with a millwork bar die. The result is a beautiful, innovative underbar line up that is sealed to the floor, stainless from floor to bar top, eliminates all underbar leg sets, and hides the soda, beer, electrical, and plumbing lines.

### PRODUCT INFORMATION

(see C-MD Spec Sheet for complete details)

### FEATURES

- 16 gauge galvanized steel structure with stainless steel bartender side finishing
- 20A GFI outlets built into bar die wall based on customer preference (wiring not provided)
- LED lights built into bar die wall above underbar equipment (wiring not provided)
- Built in chaseways for beer, soda, plumbing, and electrical lines

The total Number of feet required is calculated by determining the overall outside dimension of the bar die wall. Please round up to the nearest whole foot.

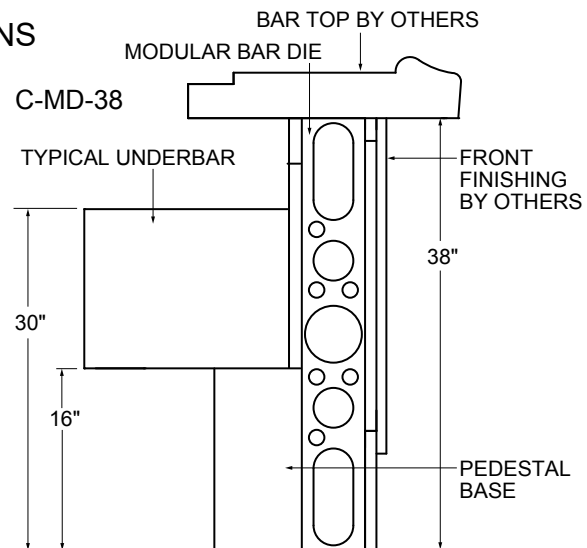
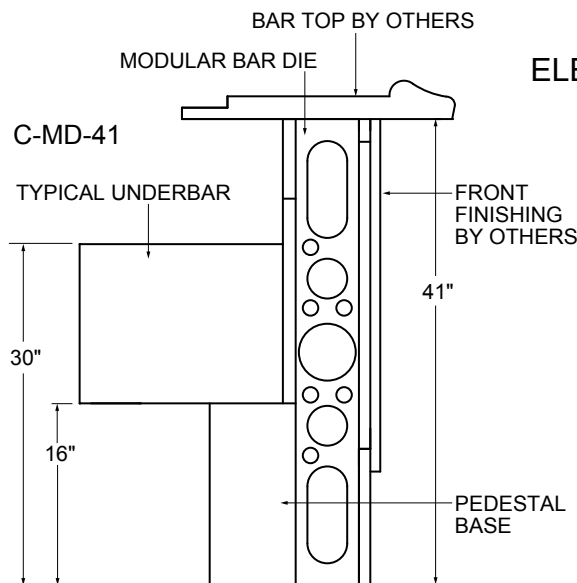
### BENEFITS

- Stainless steel from floor to bar top on bartender side
- Floor can be sealed to the bar die to prevent moisture from seeping from the bartender side to the customer side of the bar
- Galvanized steel structure will not rot
- Built-in chaseways hide beer, soda, plumbing, and electrical lines for a cleaner, more attractive bar
- Arrives pre-assembled from factory in sections up to 6 feet for easy installation - lowers installation costs. Just bolt the sections together, level, and attach the floor.
- Pre-engineered to exact dimensions to ensure a precise fit
- Can be used in conjunction with removable front millwork finishing panels to provide easy access to soda, beer, plumbing, and electrical lines for future modification, maintenance, or repair
- Millwork bar top and front panels can be pre-fabricated and easily attached
- Eliminates all underbar legs for easy cleaning



Bar Fabrication - Choice

### SIDE ELEVATIONS



#### 41" HIGH MODULAR BAR DIE

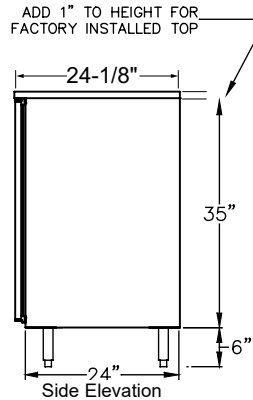
MODEL	DESCRIPTION	LIST	WEIGHT
C-MD-41	Price per foot	\$511	15#
MDT	48" wide vinyl template - price per foot	\$37	

#### 38" HIGH MODULAR BAR DIE

MODEL	DESCRIPTION	LIST	WEIGHT
C-MD-38	Price per foot	\$511	15#
MDT	48" wide vinyl template - price per foot	\$37	



C1FB60 with compressor left, stainless doors and top



## PRODUCT INFORMATION

(see C1FB Spec Sheet for complete details)

### STANDARD FEATURES:

- Self-contained
- All stainless steel interior construction
- Draft beverage compatible - see page 92
- Listed to NSF Standard 7 for open food as a storage refrigerator

## COOLERS - ONE ZONE, FRONT SERVICED, BAR PROFILE

MODEL	LIST	LENGTH	DOORS	DOOR				LONG NECK 750ML WINE				
				OPENING	WEIGHT	AMPS	HP	CASES	BOTTLES**	1/2 BARREL KEGS	1/6 BARREL KEGS	
C1FB32	\$7,102	32"	1	16" W	235#	3.0	1/8	5.8	65	N/A	2	
C1FB36	\$7,169	36"	1	20" W	250#	3.0	1/8	7.8	87	1	4	
C1FB52	\$9,388	52"	2	16" W	330#	7.0	1/4	13.3	151	N/A	7	
C1FB60	\$9,638	60"	2	20" W	360#	7.0	1/4	17.3	180	2	8	
C1FB72	\$11,154	72"	3	16" W	410#	7.0	1/4	21.1	240	N/A	11	
C1FB84	\$11,601	84"	3	20" W	490#	7.0	1/4	27.1	282	4	14 †	
C1FB92	\$13,438	92"	4	16" W	545#	7.0	1/4	28.8	329	N/A	15	
C1FB108	\$13,864	108"	4	20" W	590#	7.0	1/4	36.8	384	5	18	

Base price only. See next page for configurable options.

\*\*Wine bottle capacity is based on adjustable shelves. Drawers will hold less. NOTE: Coolers with drawers are not returnable.

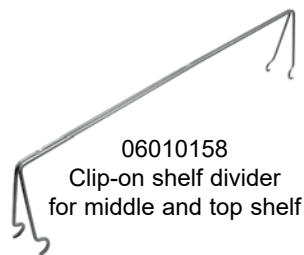
† If CO<sub>2</sub> tank is stored internally, reduce capacity by one keg

## Bar Refrigeration

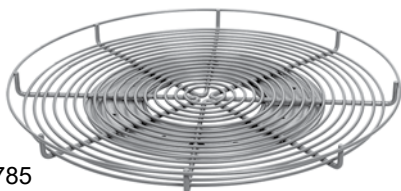
The CO-RR shelf retention rail should be used on all shelves adjacent to drawers and/or kegs. (CO-RR shown installed on shelf)



CWS-20  
Wine rack shelf for 20" door opening



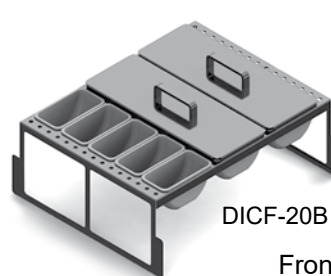
06010158  
Clip-on shelf divider for middle and top shelf



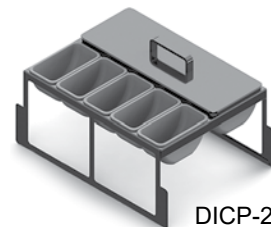
06009785

In a typical cooler, only the front row of bottles is easy to access. Glastender's rotary wine shelf increases access by 270% (16 vs. 6 bottles).

The rotary wine shelf is for use with C1FB36, C1FB60, C1FB84, and C1FB108 model coolers. Two rotary shelves can be used behind each 20" cooler door opening, where they sit on two standard cooler shelves. Each rotary shelf holds up to 29 wine bottles (750ml).



DICF-20B



DICP-20B

Front covers removed for illustrative purposes

## ACCESSORIES

MODEL	DESCRIPTION	LIST
06009785	Rotary wine shelf (20" door opening ONLY)	\$301
CO-RR	Shelf retention rail	\$77
CWS-16	Wine rack shelf for 16" door opening, 5 bottle	\$181
CWS-20	Wine rack shelf for 20" door opening, 7 bottle	\$205
DICF-16B	Drawer insert, garnishes, full, 16" door opening, bar-profile cooler, 12 cups	\$623
DICP-16B	Drawer insert, garnishes, partial, 16" door opening, bar-profile cooler, 8 cups	\$470
DICF-20B	Drawer insert, garnishes, full, 20" door opening, bar-profile cooler 15 cups	\$734
DICP-20B	Drawer insert, garnishes, partial, 20" door opening, bar-profile cooler, 10 cups	\$543
DIP-20	Drawer insert for food pans	\$287
06010158	Clip-on shelf divider for middle and top shelf	\$48
06006013	Clip-on shelf divider for bottom shelf only	\$48



**Draft Beverage Compatible**

**Select Configurable Options:**

**VOLTAGE**

120V/60HZ	No charge
220V/50HZ (export voltage)	\$307

**TEMPERATURE**

Beer / Food, 34° to 40°, standard	No charge
White wine, 50° to 55°	No charge
Red wine, 60° to 65°	No charge

**REFRIGERATION COMPARTMENT LOCATION**

Left	No charge
Right	No charge

**REFRIGERATION COMPARTMENT COVER FINISH**

Black vinyl-clad	No charge
Unlaminated	No charge
Stainless steel	\$39
Jeweled stainless steel	\$232
Laminated	\$270

**DOOR/DRAWER OPTIONS**

NOTE: Select options for EACH Door/Drawer Section

**STYLE AND FINISH - PER SECTION**

Door - Black vinyl-clad	No charge
Door - Unlaminated	No charge
Door - Stainless steel	\$48
Door - Jeweled stainless	\$252
Door - Laminated	\$288
Door - Glass, black vinyl-clad	\$559
Door - Glass, stainless steel	\$607
Door - Glass, jeweled stainless	\$811
Door - Glass, laminated	\$847
Drawers* - Black vinyl-clad	\$2,314
Drawers* - Unlaminated	\$2,314
Drawers* - Stainless steel	\$2,362
Drawers* - Jeweled stainless	\$2,566
Drawers* - Laminated	\$2,602

\*NOTE: Units with drawers are manufactured to order and are not returnable.

**DOOR HINGE LOCATION - PER DOOR**

Left	No charge
Right	No charge

**SHELVING - PER DOOR**

Three adjustable shelves	No charge
Keg rack (deduct shelves)	(\$99)
Pull-out wine shelves:	
• w/upright & horizontal storage	\$2,559
• w/upright storage	\$1,708
• w/horizontal storage*	\$3,199

\*NOTE: Not available for door next to compressor compartment

**DOOR HANDLE - PER DOOR/DRAWER**

Signature handle (doors only)	No charge
Pull-tab handle - stainless or black to match door/drawer; black for laminate	No charge
Tube handle	No charge

NOTE: All coolers with drawers are manufactured to order and are not returnable.

**TOP STYLE**

	32"	36"	52"	60"	72"	84"	92"	108"
No finished top	No charge							
Stainless top	\$493	\$519	\$629	\$683	\$764	\$846	\$900	\$1,011

**LEFT SIDE FINISH**

Black vinyl-clad	No charge
Stainless Steel	\$48

**RIGHT SIDE FINISH**

Black vinyl-clad	No charge
Stainless Steel	\$48

**BACK FINISH**

	32"	36"	52"	60"	72"	84"	92"	108"
Galvanized steel	No charge							
Stainless steel*	\$392	\$404	\$460	\$488	\$528	\$568	\$598	\$652

\*NOTE: Stainless steel back option also includes stainless steel sides.

**LED LIGHTING STYLE**

Bright white (7,000k), standard	No charge
Warm white (3,500k)	No charge
Amber (2,700k)	No charge
Blue	No charge

**LEG AND STAINLESS STEEL KICK RAILS**

NOTE: Legs are required if kick rails are ordered.

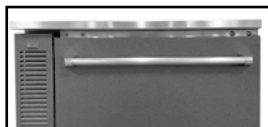
	32"	36"	52"	60"	72"	84"	92"	108"
6" legs	\$253	\$253	\$204	\$204	\$305	\$305	\$305	\$305
Front kick rail	\$137	\$142	\$162	\$173	\$190	\$204	\$215	\$233
Left side kick rail	\$127	\$127	\$127	\$127	\$127	\$127	\$127	\$127
Right side kick rail	\$127	\$127	\$127	\$127	\$127	\$127	\$127	\$127

**CASTERS**

	32"	36"	52"	60"	72"	84"	92"	108"
4-1/8" casters	\$223	\$223	\$182	\$182	\$275	\$275	\$275	\$275
2-7/8" casters	\$220	\$220	\$176	\$176	\$264	\$264	\$264	\$264
1-1/2" casters	\$387	\$387	\$310	\$310	\$464	\$464	\$464	\$464



Drawer pull-tab handle



Drawer tube handle



Signature handle



Pull-tab handle



Optional drawers include adjustable divider walls



Optional pull-out wine shelves Horizontal (left) and upright (right) storage shown

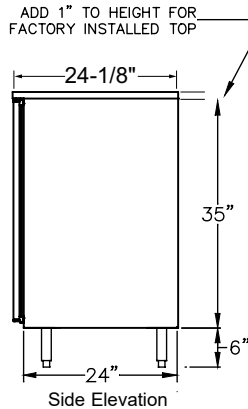


Tube handle

Bar Refrigeration



C2FB60 with compressor left, stainless doors, and stainless top



**Draft Beverage Compatible**



### PRODUCT INFORMATION

(see C2FB Spec Sheet for complete details)

#### STANDARD FEATURES:

- Self-contained
- Available in three different configurations: beer/white wine, beer/red wine, or white/red wine
- The warmer compartment is always a single door located opposite the compressor end
- All stainless steel interior construction
- Draft beverage compatible - see page 92
- Listed to NSF Standard 7 for closed container products

\*NOTE: C2FB coolers are manufactured to order and are not returnable.

## COOLERS - TWO ZONE, FRONT SERVICED, BAR PROFILE

MODEL	LIST	LENGTH	DOORS	DOOR				LONG NECK 750ML WINE 1/2 BARREL 1/6 BARREL			
				OPENING	WEIGHT	AMPS	HP	CASES	BOTTLES**	KEGS	KEGS
C2FB52*	\$10,981	52"	2	16" W	365#	7.0	1/4	13.3	127	N/A	4
C2FB60*	\$11,228	60"	2	20" W	375#	7.0	1/4	17.3	160	2	8 †
C2FB72*	\$12,750	72"	3	16" W	475#	7.0	1/4	21.1	216	N/A	9
C2FB84*	\$13,086	84"	3	20" W	490#	7.0	1/4	27.1	258	3	12
C2FB92*	\$15,029	92"	4	16" W	585#	7.0	1/4	28.8	305	N/A	13
C2FB108*	\$15,457	108"	4	20" W	605#	7.0	1/4	36.8	360	5	18 †

Base price only. See next page for configurable options.

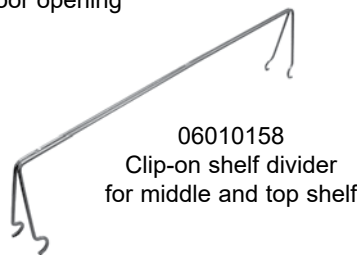
\*\*Wine bottle capacity is based on adjustable shelves. Drawers will hold less.

† If CO<sub>2</sub> tank is stored internally, reduce capacity by one keg

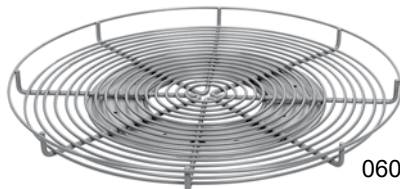
Bar Refrigeration



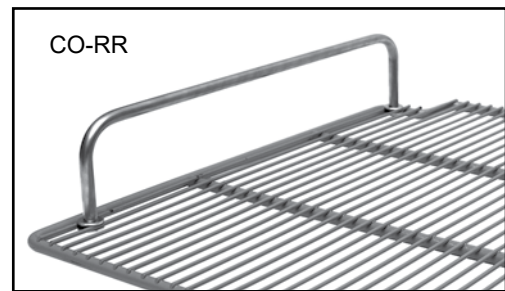
CWS-20  
Wine rack shelf for 20" door opening



06010158  
Clip-on shelf divider for middle and top shelf



06009785



CO-RR

The CO-RR shelf retention rail should be used on all shelves adjacent to drawers and/or kegs. (CO-RR shown installed on shelf)

In a typical cooler, only the front row of bottles is easy to access. Glastender's rotary wine shelf increases access by 270% (16 vs. 6 bottles).

The rotary wine shelf is for use with C2FB60, C2FB84, and C2FB108 model coolers. Two rotary shelves can be used behind each 20" cooler door opening, where they sit on two standard cooler shelves. Each rotary shelf holds up to 29 wine bottles (750ml).

### ACCESSORIES

MODEL	DESCRIPTION	LIST
06009785	Rotary wine shelf (20" door opening ONLY)	\$301
CO-RR	Shelf retention rail	\$77
CWS-16	Wine rack shelf for 16" door opening, 5 bottle	\$181
CWS-20	Wine rack shelf for 20" door opening, 7 bottle	\$205
06010158	Clip-on shelf divider for middle and top shelf	\$48
06006013	Clip-on shelf divider for bottom shelf only	\$48

**Draft Beverage Compatible**



\*NOTE: C2FB coolers are manufactured to order and are not returnable.

**Select Configurable Options:**

VOLTAGE	
120V/60HZ	No charge
220V/50HZ (export voltage)	\$307

TEMPERATURE	
Beer/White wine - 34° to 40°/ 50° to 55°	No charge
Beer/Red wine - 34° to 40°/ 60° to 65°	No charge
White/Red wine - 50° to 55°/ 60° to 65°	No charge

REFRIGERATION COMPARTMENT LOCATION	
Left	No charge
Right	No charge

REFRIGERATION COMPARTMENT COVER FINISH	
Black vinyl-clad	No charge
Unlaminated	No charge
Stainless steel	\$39
Jeweled stainless steel	\$232
Laminated	\$270

**DOOR/DRAWER OPTIONS**  
NOTE: Select options for EACH Door/Drawer Section

STYLE AND FINISH - PER SECTION	
Door - Black vinyl-clad	No charge
Door - Unlaminated	No charge
Door - Stainless steel	\$48
Door - Jeweled stainless	\$252
Door - Laminated	\$288
Door - Glass, black vinyl-clad	\$559
Door - Glass, stainless steel	\$607
Door - Glass, jeweled stainless	\$811
Door - Glass, laminated	\$847
Drawers - Black vinyl-clad	\$2,314
Drawers - Unlaminated	\$2,314
Drawers - Stainless steel	\$2,362
Drawers - Jeweled stainless	\$2,566
Drawers - Laminated	\$2,602

DOOR HINGE LOCATION - PER DOOR	
Left	No charge
Right	No charge

SHELVING - PER DOOR	
Three adjustable shelves	No charge
Keg rack (deduct shelves)	(\$99)
Pull-out wine shelves:	
• w/upright & horizontal storage	\$2,559
• w/upright storage	\$1,708
• w/horizontal storage*	\$3,199

\*NOTE: Not available for door next to compressor compartment

DOOR HANDLE - PER DOOR	
Signature handle (doors only)	No charge
Pull-tab handle - stainless or black to match door/drawer; black for laminate	No charge
Tube handle	No charge



Optional pull-out wine shelves Horizontal (left) and upright (right) storage shown



TOP STYLE						
	52"	60"	72"	84"	92"	108"

No finished top	No charge					
Stainless top	\$629	\$683	\$764	\$846	\$900	\$1,011

LEFT SIDE FINISH	
Black vinyl-clad	No charge
Stainless Steel	\$48

RIGHT SIDE FINISH	
Black vinyl-clad	No charge
Stainless Steel	\$48

BACK FINISH						
	52"	60"	72"	84"	92"	108"
Galvanized steel	No charge					
Stainless steel*	\$460	\$488	\$528	\$568	\$598	\$652

\*NOTE: Stainless steel back option also includes stainless steel sides.

LED LIGHTING STYLE	
Bright white (7,000k), standard	No charge
Warm white (3,500k)	No charge
Amber (2,700k)	No charge
Blue	No charge

**LEG AND STAINLESS STEEL KICK RAILS**

NOTE: Legs are required if kick rails are ordered.

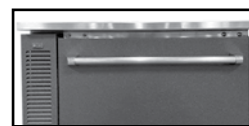
	52"	60"	72"	84"	92"	108"
6" legs	\$204	\$204	\$305	\$305	\$305	\$305
Front kick rail	\$162	\$173	\$190	\$204	\$215	\$233
Left side kick rail	\$127	\$127	\$127	\$127	\$127	\$127
Right side kick rail	\$127	\$127	\$127	\$127	\$127	\$127

**CASTERS**

	52"	60"	72"	84"	92"	108"
4-1/8" casters	\$182	\$182	\$275	\$275	\$275	\$275
2-7/8" casters	\$176	\$176	\$264	\$264	\$264	\$264
1-1/2" casters	\$310	\$310	\$464	\$464	\$464	\$464



Drawer pull-tab handle



Drawer tube handle



Optional drawers include adjustable divider walls



Signature handle



Pull-tab handle



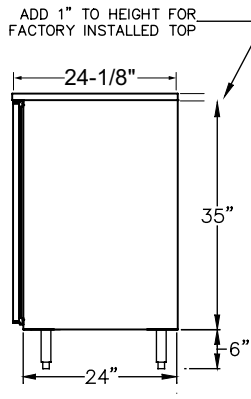
Tube handle

NOTE: All coolers with drawers are manufactured to order and are not returnable.

Bar Refrigeration



C1RB48 with refrigeration hook up right, stainless doors, and stainless top



Side Elevation



**PRODUCT INFORMATION**

(see C1RB Spec Sheet for complete details)

**STANDARD FEATURES:**

- Remote unit
- All stainless steel interior construction
- Draft beverage compatible - see page 92
- Listed to NSF Standard 7 for open food as a storage refrigerator

**COOLERS - ONE ZONE, REMOTE, BAR PROFILE**

MODEL	LIST	LENGTH	DOOR		WEIGHT	BTU /HR	LONG NECK 750ML WINE			
			DOORS	OPENING			CASES	BOTTLES	1/2 BARREL KEGS	1/6 BARREL KEGS
C1RB24	\$5,036	24" W	1	20"	175#	800	8.0	60	1	2
C1RB40*	\$6,678	40" W	2	16"	275#	1,100	12.3	126	N/A	6
C1RB48	\$6,996	48" W	2	20"	285#	1,200	16.2	152	2	7
C1RB60*	\$8,867	60" W	3	16"	390#	1,400	19.9	216	N/A	10
C1RB72	\$9,204	72" W	3	20"	405#	1,500	25.9	256	4	11
C1RB80*	\$11,272	80" W	4	16"	500#	1,700	27.7	294	N/A	14
C1RB96	\$11,631	96" W	4	20"	520#	1,900	35.7	354	5	17

Base price only. See next page for configurable options.

\*C1RB40, C1RB60, AND C1RB80 are manufactured to order and are not returnable.

Bar Refrigeration



CO-RR

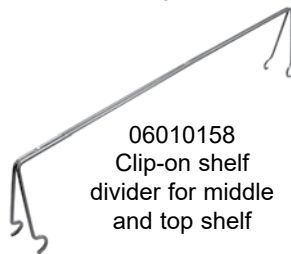
The CO-RR shelf retention rail should be used on all shelves adjacent to kegs. (CO-RR shown installed on shelf)



CWS-20 Wine rack shelf for 20" door opening



CWS-16 Wine rack shelf for 16" door opening



06010158 Clip-on shelf divider for middle and top shelf

**ACCESSORIES**

MODEL	DESCRIPTION	LIST
CO-RR	Shelf retention rail	\$77
CWS-16	Wine rack shelf for 16" door opening, 5 bottle	\$181
CWS-20	Wine rack shelf for 20" door opening, 7 bottle	\$205
06010158	Clip-on shelf divider for middle and top shelf	\$48
06006013	Clip-on shelf divider for bottom shelf only	\$48

**ACCESSORY FOR REMOTE COOLER CABINET**

MODEL	DESCRIPTION	LIST	WT
SVC	Solenoid valve and coil kit, for remote unit	\$316	6#
SVC-L	Solenoid valve and coil kit with factory installation, for remote unit	\$668	6#



\*NOTE: C1RB40, C1RB60, and C1RB80 coolers are manufactured to order and are not returnable.

## Select Configurable Options:

VOLTAGE	
120V/60HZ	No charge
220V/50HZ (export voltage)	\$156

TEMPERATURE	
Beer / Food, 34° to 40°, standard	No charge
White wine, 50° to 55°	No charge
Red wine, 60° to 65°	No charge

EXPANSION VALVE TYPE	
R448A or R449A	No charge
R134a or R513A	No charge
R404A or R452A	No charge
R407A or R407F	No charge

REFRIGERATION HOOK-UP LOCATION	
Left	No charge
Right	No charge

### DOOR OPTIONS

NOTE: Select options for EACH Door Section

STYLE AND FINISH - PER DOOR	
Door - Black vinyl-clad	No charge
Door - Unlaminated	No charge
Door - Stainless steel	\$48
Door - Jeweled stainless	\$252
Door - Laminated	\$288
Door - Glass, black vinyl-clad	\$559
Door - Glass, stainless steel	\$607
Door - Glass, jeweled stainless	\$811
Door - Glass, laminated	\$847

DOOR HINGE LOCATION - PER DOOR	
Left	No charge
Right	No charge

SHELVING - PER DOOR	
Three adjustable shelves	No charge
Keg rack (deduct shelving)	(\$99)
Pull-out wine shelves w/upright & horizontal storage	\$2,427

DOOR HANDLE - PER DOOR	
Signature handle	No charge
Pull-tab handle - stainless or black to match door; black for laminate	No charge
Tube handle	No charge

TOP STYLE							
	24"	40"	48"	60"	72"	80"	96"
No finished top	No charge						
Stainless top	\$440	\$546	\$601	\$683	\$764	\$819	\$928

LEFT SIDE FINISH	
Black vinyl-clad	No charge
Stainless Steel	\$48

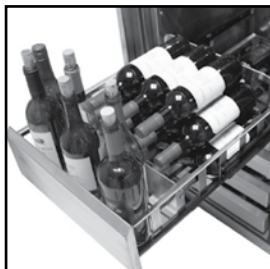
RIGHT SIDE FINISH	
Black vinyl-clad	No charge
Stainless Steel	\$48

BACK FINISH							
	24"	40"	48"	60"	72"	80"	96"
Galvanized steel	No charge						
Stainless steel*	\$365	\$417	\$446	\$488	\$528	\$555	\$610

\*NOTE: Stainless steel back option also includes stainless steel sides.

LED LIGHTING STYLE	
Bright white (7,000k), standard	No charge
Warm white (3,500k)	No charge
Amber (2,700k)	No charge
Blue	No charge

LEG AND STAINLESS STEEL KICK RAILS							
	24"	40"	48"	60"	72"	80"	96"
NOTE: Legs are required if kick rails are ordered.							
6" legs	\$204	\$204	\$204	\$305	\$305	\$305	\$305
Front kick rail	\$127	\$145	\$158	\$173	\$190	\$199	\$220
Left side kick rail	\$127	\$127	\$127	\$127	\$127	\$127	\$127
Right side kick rail	\$127	\$127	\$127	\$127	\$127	\$127	\$127



Optional pull-out wine shelves  
Horizontal (left) and upright  
(right) storage shown



Signature handle



Pull-tab handle

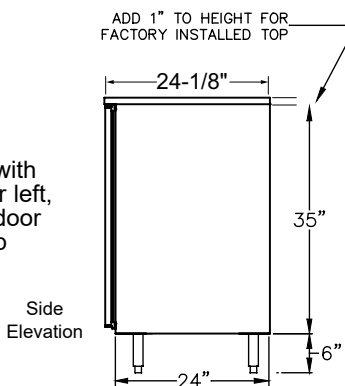


Tube handle

Bar Refrigeration



C1SB24 with compressor left, stainless door and top



## PRODUCT INFORMATION

(see C1SB Spec Sheet for complete details)

### STANDARD FEATURES:

- Self-contained
- All stainless steel interior construction
- Draft beverage compatible - see page 92
- Listed to NSF Standard 7 for open food as a storage refrigerator

## COOLERS - ONE ZONE, SIDE SERVICED, BAR PROFILE

MODEL	LIST	LENGTH	DOOR		WEIGHT	AMPS	HP	LONG NECK	750ML WINE	1/2 BARREL	1/6 BARREL
			DOORS	OPENING				CASES	BOTTLES**	KEGS	KEGS
C1SB20*	\$6,551	20"	1	12" W	185#	2.75	1/8	3.3	52	0	2†♠
C1SB24	\$6,357	24"	1	17.5" W	200#	2.75	1/8	5.8	74	1	3♠
C1SB28*	\$6,676	28"	1	20" W	220#	2.75	1/8	6.6	87	1	4†▲
C1SB36*	\$8,883	36"	2	12" W	255#	2.75	1/8	8.9	111	N/A	5▲
C1SB44*	\$9,269	44"	2	16" W	280#	2.75	1/8	12.0	150	N/A	7▲
C1SB48	\$9,463	48"	2	18" W	300#	2.75	1/8	13.2	177	2	8†▲

Base price only. See next page for configurable options.

\*NOTE: C1SB20, C1SB28, C1SB36, and C1SB44 coolers are manufactured to order and are not returnable.

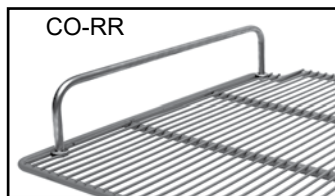
\*\* Wine bottle capacity is based on adjustable shelves. Drawers will hold fewer. NOTE: Coolers with drawers are not returnable.

† If CO<sub>2</sub> tank is stored internally, reduce capacity by one keg

♠ Requires one 05001026 low profile Sanke keg tap - see page 92

▲ Requires two 05001026 low profile Sanke keg taps - see page 92

Bar Refrigeration

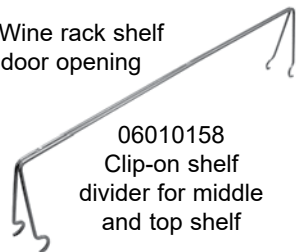


CO-RR

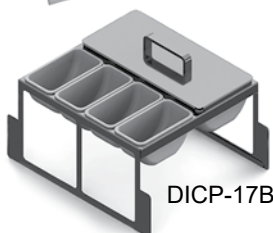
The CO-RR shelf retention rail should be used on all shelves adjacent to kegs. (CO-RR shown installed on shelf)



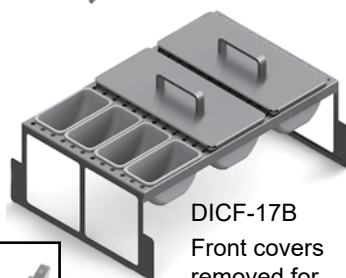
CWS-20 Wine rack shelf for 20" door opening



06010158 Clip-on shelf divider for middle and top shelf



DICF-17B



DICF-17B Front covers removed for illustrative purposes



DIP-18 Pans not included

## ACCESSORIES

MODEL	DESCRIPTION	LIST
CO-RR	Shelf retention rail	\$77
CWS-12	Wine rack shelf for 12" door opening, 3 bottle	\$156
CWS-16	Wine rack shelf for 16" door opening, 5 bottle	\$181
CWS-17	Wine rack shelf for 17.5" door opening, 5 bottle	\$194
CWS-18	Wine rack shelf for 18" door opening, 5 bottle	\$196
CWS-20	Wine rack shelf for 20" door opening, 7 bottle	\$205
DICF-12B	Drawer insert, garnishes, full, 12" door opening, bar-profile cooler, 8 cups	\$485
DICP-12B	Drawer insert, garnishes, partial, 12" door opening, bar-profile cooler, 6 cups	\$391
DICF-16B	Drawer insert, garnishes, full, 16" door opening, bar-profile cooler, 12 cups	\$623
DICP-16B	Drawer insert, garnishes, partial, 16" door opening, bar-profile cooler, 8 cups	\$470
DICF-17B	Drawer insert, garnishes, full, 17.5" door opening, bar-profile cooler, 12 cups	\$626
DICP-17B	Drawer insert, garnishes, partial, 17.5" door opening, bar-profile cooler, 8 cups	\$473
DICF-18B	Drawer insert, garnishes, full, 18" door opening, bar-profile cooler, 12 cups	\$630
DICP-18B	Drawer insert, garnishes, partial, 18" door opening, bar-profile cooler, 8 cups	\$475
DICF-20B	Drawer insert, garnishes, full, 20" door opening, bar-profile cooler, 15 cups	\$734
DICP-20B	Drawer insert, garnishes, partial, 20" door opening, bar-profile cooler, 10 cups	\$543
DIP-17	Drawer insert for fractional stainless pans, 17.5" door opening (pans not included)	\$258
DIP-18	Drawer insert for fractional stainless pans, 18" door opening (pans not included)	\$264
DIP-20	Drawer insert for fractional stainless pans, 20" door opening (pans not included)	\$287
06010158	Clip-on shelf divider for middle and top shelf	\$48
06006013	Clip-on shelf divider for bottom shelf only	\$48



**Draft Beverage Compatible**

**Select Configurable Options:**

**VOLTAGE**

120V/60HZ	No charge
220V/50HZ (export voltage)	\$307

**TEMPERATURE**

Beer / Food, 34° to 40°, standard	No charge
White wine, 50° to 55°	No charge
Red wine, 60° to 65°	No charge

**REFRIGERATION COMPARTMENT LOCATION**

Left	No charge
Right	No charge

**REFRIGERATION COMPARTMENT COVER FINISH**

Black vinyl-clad	No charge
Stainless steel	\$39
Jeweled stainless steel	\$232

**DOOR/DRAWER OPTIONS**  
NOTE: Select options for EACH Door/Drawer Section

**STYLE AND FINISH - PER SECTION**

Door - Black vinyl-clad	No charge
Door - Unlaminated	No charge
Door - Stainless steel	\$48
Door - Jeweled stainless	\$252
Door - Laminated	\$288
Door - Glass, black vinyl-clad	\$559
Door - Glass, stainless steel	\$607
Door - Glass, jeweled stainless	\$811
Door - Glass, laminated	\$847
Drawers* - Black vinyl-clad	\$2,314
Drawers* - Unlaminated	\$2,314
Drawers* - Stainless steel	\$2,362
Drawers* - Jeweled stainless	\$2,566
Drawers* - Laminated	\$2,602

\*NOTE: Units with drawers are manufactured to order and are not returnable.

**DOOR HINGE LOCATION - PER DOOR**

Left	No charge
Right	No charge

**SHELVING - PER DOOR**

Three adjustable shelves	No charge
Keg rack (deduct shelves)	(\$99)
Pull-out wine shelves:	
• w/upright & horizontal storage*	\$2,559
• w/upright storage*	\$1,708
• w/horizontal storage*	\$3,199

\*NOTE: Not available for 12" door opening models

**DOOR HANDLE - PER DOOR/DRAWER**

Signature handle (doors only)	No charge
Pull-tab handle - stainless or black to match door; black for laminate	No charge
Tube handle	No charge

NOTE: All coolers with drawers are manufactured to order and are not returnable.

\*NOTE: C1SB20, C1SB28, C1SB36, and C1SB44 coolers are manufactured to order and are not returnable.

**TOP STYLE**

	20"	24"	28"	36"	44"	48"
No finished top	No charge					
Stainless top	\$412	\$440	\$465	\$519	\$575	\$601

**LEFT SIDE FINISH**

Black vinyl-clad	No charge
Stainless Steel	\$48

**RIGHT SIDE FINISH**

Black vinyl-clad	No charge
Stainless Steel	\$48

**BACK FINISH**

	20"	24"	28"	36"	44"	48"
Galvanized steel	No charge					
Stainless steel*	\$351	\$365	\$377	\$404	\$431	\$446

\*NOTE: Stainless steel back option also includes stainless steel sides.

**LED LIGHTING STYLE**

Bright white (7,000k), standard	No charge
Warm white (3,500k)	No charge
Amber (2,700k)	No charge
Blue	No charge

**LEG AND STAINLESS STEEL KICK RAILS**  
NOTE: Legs are required if kick rails are ordered.

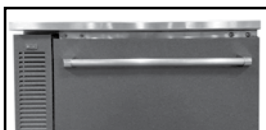
	20"	24"	28"	36"	44"	48"
6" legs	\$204	\$204	\$204	\$204	\$204	\$204
Front kick rail	\$123	\$127	\$133	\$142	\$153	\$158
Left side kick rail	\$127	\$127	\$127	\$127	\$127	\$127
Right side kick rail	\$127	\$127	\$127	\$127	\$127	\$127

**CASTERS**

	24"	28"	36"	44"	48"
4-1/8" casters	\$182	\$182	\$182	\$182	\$182
2-7/8" casters	\$176	\$176	\$176	\$176	\$176
1-1/2" casters	\$310	\$310	\$310	\$310	\$310



Drawer pull-tab handle



Drawer tube handle



Signature handle



Pull-tab handle



Optional drawers include adjustable divider walls



Optional pull-out wine shelves Horizontal (left) and upright (right) storage shown



Tube handle

**Bar Refrigeration**



C2SB48 with compressor left, stainless doors, and stainless top



### PRODUCT INFORMATION

(see C2SB Spec Sheet for complete details)

#### STANDARD FEATURES:

- Self-contained
- All stainless steel interior construction
- Available in three different configurations: beer/white wine, beer/red wine, or white/red wine
- The warmer compartment is always a single door located opposite the compressor end
- Draft beverage compatible - see page 92
- Listed to NSF Standard 7 for closed container products

\*NOTE: C2SB coolers are manufactured to order and are not returnable.

## COOLERS - TWO ZONE, SIDE SERVICED, BAR PROFILE

MODEL	LIST	LENGTH	DOORS	DOOR				LONGNECK	750MLWINE	1/2BARREL	1/6BARREL
				OPENING	WEIGHT	AMPS	HP	CASES	BOTTLES**	KEGS	KEGS
C2SB36	\$10,303	36"	2	12" W	317#	2.75	1/8	6.5	63	N/A	4† ♠
C2SB44	\$10,702	44"	2	16" W	347#	2.75	1/8	9.7	109	N/A	4 ♠
C2SB48	\$10,904	48"	2	18" W	360#	2.75	1/8	12.5	109	2	6 ♠

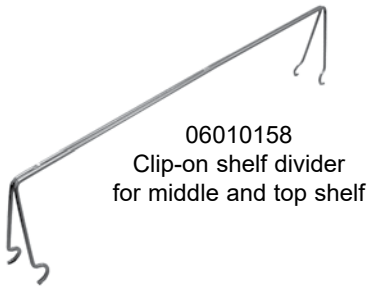
Base price only. See next page for configurable options.

\*\*Wine bottle capacity is based on adjustable shelves. Drawers will hold fewer.

† If CO<sub>2</sub> tank is stored internally, reduce capacity by one keg

♠ Requires one 05001026 low profile Sanke keg tap - see page 92

Bar Refrigeration

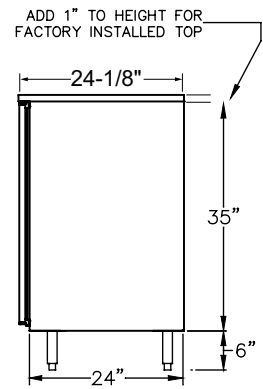


Optional drawers include adjustable divider walls

\*NOTE: All coolers with drawers are manufactured to order and are not returnable.



CWS-16  
Wine rack shelf for 16" door opening



Side Elevation

### ACCESSORIES

MODEL	DESCRIPTION	LIST
CWS-12	Wine rack shelf for 12" door opening, 3 bottle	\$156
CWS-16	Wine rack shelf for 16" door opening, 5 bottle	\$181
CWS-18	Wine rack shelf for 18" door opening, 5 bottle	\$196
06010158	Clip-on shelf divider for middle and top shelf	\$48
06006013	Clip-on shelf divider for bottom shelf only	\$48

**Draft Beverage  
Compatible**



\*NOTE: C2SB coolers are manufactured to order and are not returnable.

### Select Configurable Options:

#### VOLTAGE

120V/60HZ	No charge
220V/50HZ (export voltage)	\$307

#### TEMPERATURE

Beer/White wine - 34° to 40°/ 50° to 55°	No charge
Beer/Red wine - 34° to 40°/ 60° to 65°	No charge
White/Red wine - 50° to 55°/ 60° to 65°	No charge

#### REFRIGERATION COMPARTMENT LOCATION

Left	No charge
Right	No charge

#### REFRIGERATION COMPARTMENT COVER FINISH

Black vinyl-clad	No charge
Stainless steel	\$39
Jeweled stainless steel	\$232

#### DOOR/DRAWER OPTIONS

NOTE: Select options for EACH Door/Drawer Section

##### STYLE AND FINISH - PER SECTION

Door - Black vinyl-clad	No charge
Door - Unlaminated	No charge
Door - Stainless steel	\$48
Door - Jeweled stainless	\$252
Door - Laminated	\$288
Door - Glass, black vinyl-clad	\$559
Door - Glass, stainless steel	\$607
Door - Glass, jeweled stainless	\$811
Door - Glass, laminated	\$847
Drawers - Black vinyl-clad	\$2,314
Drawers - Unlaminated	\$2,314
Drawers - Stainless steel	\$2,362
Drawers - Jeweled stainless	\$2,566
Drawers - Laminated	\$2,602

##### DOOR HINGE LOCATION - PER DOOR

Left	No charge
Right	No charge

##### SHELVING - PER DOOR

Three adjustable shelves	No charge
Keg rack (deduct shelves)	(\$99)

Pull-out wine shelves:

- w/upright & horizontal storage\* \$2,559
- w/upright storage\* \$1,708
- w/horizontal storage\* \$3,199

\*NOTE: Not available for 12" door opening models

##### DOOR HANDLE - PER DOOR/DRAWER

Signature handle (doors only)	No charge
Pull-tab handle - stainless or black to match door; black for laminate	No charge
Tube handle	No charge



Optional pull-out wine shelves Horizontal (left) and upright (right) storage shown



#### TOP STYLE

		36"	44"	48"
No finished top	No charge			
Stainless top	\$519	\$575	\$601	

#### LEFT SIDE FINISH

Black vinyl-clad	No charge
Stainless Steel	\$48

#### RIGHT SIDE FINISH

Black vinyl-clad	No charge
Stainless Steel	\$48

#### BACK FINISH

		36"	44"	48"
Galvanized steel	No charge			
Stainless steel*	\$404	\$431	\$446	

\*NOTE: Stainless steel back option also includes stainless steel sides.

#### LED LIGHTING STYLE

Bright white (7,000k), standard	No charge
Warm white (3,500k)	No charge
Amber (2,700k)	No charge
Blue	No charge

#### LEG AND STAINLESS STEEL KICK RAILS

NOTE: Legs are required if kick rails are ordered.

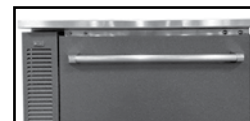
		36"	44"	48"
6" legs	\$204	\$204	\$204	
Front kick rail	\$142	\$153	\$158	
Left side kick rail	\$127	\$127	\$127	
Right side kick rail	\$127	\$127	\$127	

#### CASTERS

		36"	44"	48"
4-1/8" casters	\$182	\$182	\$182	
2-7/8" casters	\$176	\$176	\$176	
1-1/2" casters	\$310	\$310	\$310	



Drawer pull-tab handle



Drawer tube handle



Optional drawers include adjustable divider walls



Signature handle

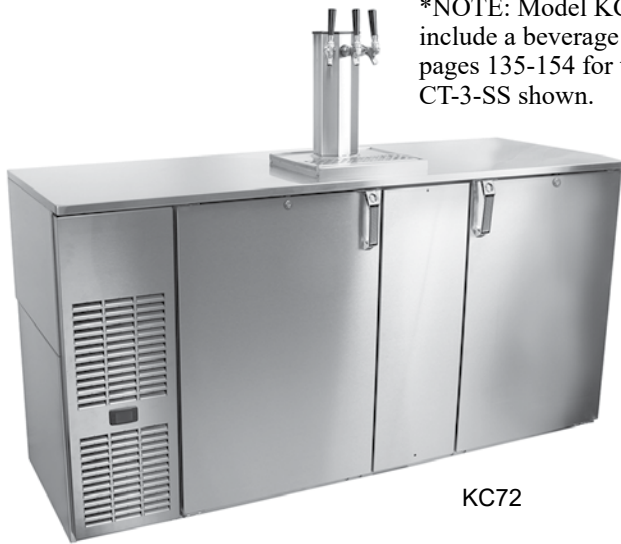


Pull-tab handle



Tube handle

Bar Refrigeration



\*NOTE: Model KC72 does not include a beverage tower. See pages 135-154 for tower options. CT-3-SS shown.

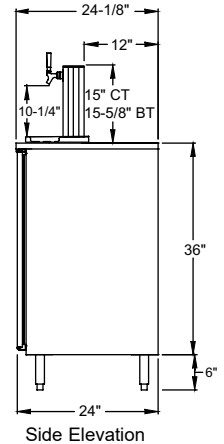


### PRODUCT INFORMATION

(see KC72 Spec Sheet for complete details)

#### STANDARD FEATURES:

- Self-contained
- Galvanized interior construction with stainless steel floor
- Stainless steel keg racks and 1/2" thick high-impact polypropylene threshold scuff plates
- Wide center mullion provides additional storage capacity
- Listed to NSF Standard 7 for closed container products



## 72" KEG COOLER

MODEL	LIST	LENGTH	DOOR		WEIGHT	AMPS	HP	1/2 BARREL 1/6 BARREL	
			DOORS	OPENING				KEGS	KEGS
KC72*	\$9,772	72"	2	20" W	410#	7.0	1/4	3	11

Base price only. See below for configurable options.

## Select Configurable Options:

Bar Refrigeration

#### VOLTAGE

120V/60HZ	No charge
220V/50HZ (export voltage)	\$307

#### TEMPERATURE

Beer, 34° to 40°, standard	No charge
White wine, 50° to 55°	No charge
Red wine, 60° to 65°	No charge

#### REFRIGERATION COMPARTMENT LOCATION

Left	No charge
Right	No charge

#### FRONT FINISH

Black vinyl-clad	No charge
Stainless steel	\$174

#### DOOR OPTIONS

NOTE: Select options for EACH Door Section

#### DOOR HINGE LOCATION - PER DOOR

Left	No charge
Right	No charge

#### DOOR HANDLE - PER DOOR

Signature handle	No charge
Pull-tab handle - stainless or black to match door; black for laminate	No charge
Tube handle	No charge

#### TOP STYLE

No finished top	No charge
Stainless top	\$764

#### LEFT SIDE FINISH

Black vinyl-clad	No charge
Stainless Steel	\$48

#### RIGHT SIDE FINISH

Black vinyl-clad	No charge
Stainless Steel	\$48

#### BACK FINISH

Galvanized steel	No charge
Stainless steel*	\$528

\*NOTE: Stainless steel back option also includes stainless steel sides.

#### LEG AND STAINLESS STEEL KICK RAILS

NOTE: Legs are required if kick rails are ordered.

6" legs	\$305
Front kick rail	\$190
Left side kick rail	\$127
Right side kick rail	\$127

#### CASTERS

4-1/8" casters	\$275
2-7/8" casters	\$264
1-1/2" casters	\$464



Signature handle



Pull-tab handle



Tube handle



## Configuring Bar Profile Coolers for Draft Beverage Dispensing

All Glastender bar profile coolers can be configured for draft beverage dispensing. Please note that a minimum 17" wide door opening is required for full size (i.e., 16" diameter) 1/2 barrel kegs. Refer to the capacity statements in the Product Directory or Specification Sheet for the sizes and quantities of kegs each unit will hold.

## Direct Draw Draft Beverage Towers

Glastender Beverage Towers include the stainless steel faucets and shanks necessary to dispense keg beer, wine, soda, coffee, or cocktails. See individual price pages for complete information.

Tee Tower shown  
See pages 135 - 154 for  
complete information

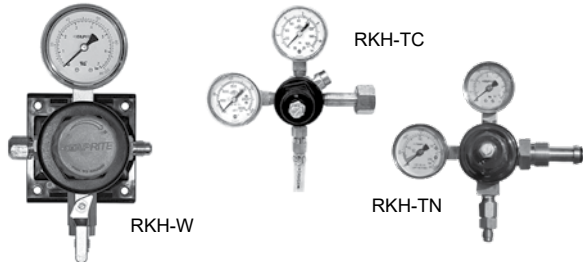
Look for the Draft Beer  
Compatible logo



### HIGH PRESSURE REGULATOR KITS

High pressure regulators reduce the gas pressure from the primary source. A tank mount regulator attaches directly to a gas cylinder, while a wall mount regulator splices into gas tubing when the gas supply is used for more than one system. RKH-TN regulator kits are used if pre-blended CO<sub>2</sub> and nitrogen or pure nitrogen cylinders are being used. All high pressure regulator kits include 50 feet of braided nylon gas tubing.

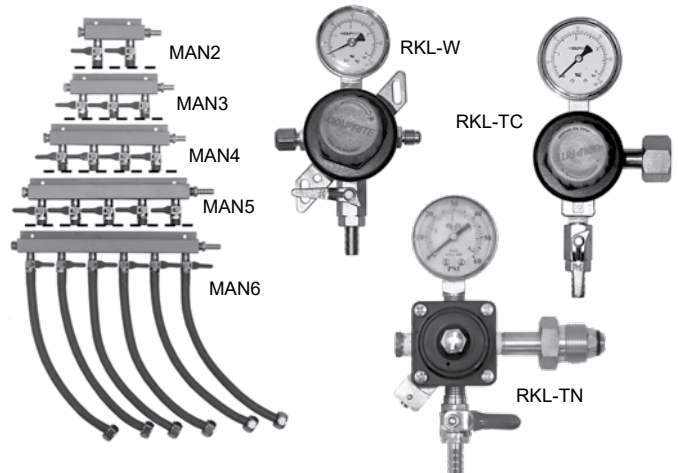
MODEL	DESCRIPTION	LIST	WGT
RKH-W	Wall mount, CO <sub>2</sub> or Nitrogen, single gauge	\$371	15#
RKH-TC	Tank mount, CO <sub>2</sub> , double gauge	\$318	15#
RKH-TN	Tank mount, Nitrogen, double gauge	\$430	15#



### LOW PRESSURE REGULATOR KITS

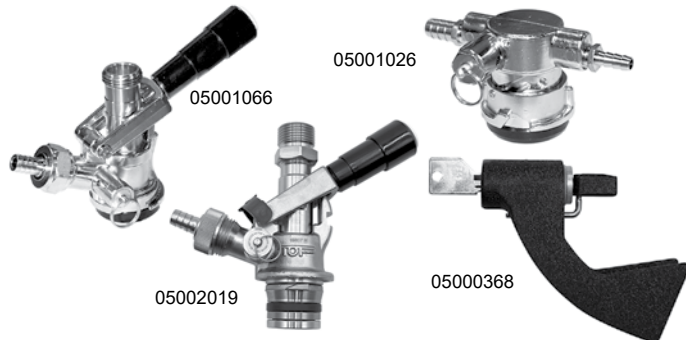
Low pressure regulator kits connect to the gas tubing exiting a high pressure regulator. If a 5 pound gas cylinder will be kept inside the cooler, a single gauge tank mounted RKL-TC or -TN will be required depending on the gas being used. All low pressure regulator kits include 6 feet of red gas tubing. For installations requiring more than one keg on tap, also order the appropriate size manifold kit. All manifold kits include 6 feet of red gas tubing per product, and the clamps required for connecting to keg couplers (sold separately).

MODEL	DESCRIPTION	LIST	WGT
RKL-W	Wall mount, CO <sub>2</sub> or Nitrogen, single gauge	\$337	7#
RKL-TC	Tank mount, CO <sub>2</sub> , single gauge	\$283	7#
RKL-TN	Tank mount, Nitrogen, single gauge	\$375	7#
MAN2	Two product manifold kit	\$201	2#
MAN3	Three product manifold kit	\$255	3#
MAN4	Four product manifold kit	\$317	4#
MAN5	Five product manifold kit	\$432	5#
MAN6	Six product manifold kit	\$513	6#



### ADDITIONAL ACCESSORIES

MODEL	DESCRIPTION	LIST	WGT
03004240	1/2" ID black drain line, per foot	\$3.00	N/A
05000400	5/16" ID red vinyl air line, per foot	\$2.60	N/A
05000386	1/4" ID nylon braided gas tubing, per foot	\$1.35	N/A
05001066	D system keg coupler w/ss probe	\$123.00	2#
05001026	D system keg coupler, low profile	\$461.00	2#
05003763	S system keg coupler w/ss probe, for select imports	\$123.00	2#
05002019	U System Keg Coupler, stainless probe, for Guinness & Harp	\$361.00	2#
05000368	Lock for beer faucet	\$143.00	2#
05000636	5# CO <sub>2</sub> tank (unfilled)	\$471.00	15#
LCK	Line cleaning kit	\$278.00	3#
06007084	Drain bottle	\$57.00	2#



### Tower Cooling Kits

Direct draw beverage towers are chilled by air from inside the host cooler. This is especially important for draft beer, as warm faucets cause the beer to foam.

### TOWER COOLING KITS

MODEL	DESCRIPTION	LIST	WGT
TCK12-1	For 1 & 2-door coolers w/ one tower column	\$268	3#
TCK12-2	For 1 & 2-door coolers w/ two tower columns	\$535	6#
TCK34-1	For 3 & 4-door coolers w/ one tower column	\$456	8#
TCK34-2	For 3 & 4-door coolers w/ two tower columns	\$586	11#
TCKR-1	For remote coolers w/ one tower column	\$268	3#
TCKR-2	For remote coolers w/ two tower columns	\$535	6#

Bar Refrigeration



CS1FB60 with compressor left, stainless doors and top

**COOLERS - SHALLOW DEPTH, ONE ZONE, FRONT SERVICED, BAR PROFILE**

MODEL	LIST	LENGTH	DOOR		WEIGHT	AMPS	HP	LONGNECK	750MLWINE
			DOORS	OPENING				CASES	BOTTLES
CS1FB52	\$9,094	52"	2	16" W	300#	3.5	1/8	8.1	77
CS1FB60	\$9,344	60"	2	20" W	325#	3.5	1/8	10.6	102
CS1FB72	\$10,814	72"	3	16" W	370#	3.5	1/8	12.8	121
CS1FB84	\$11,265	84"	3	20" W	410#	3.5	1/8	16.6	162

Base price only. See next page for configurable options.

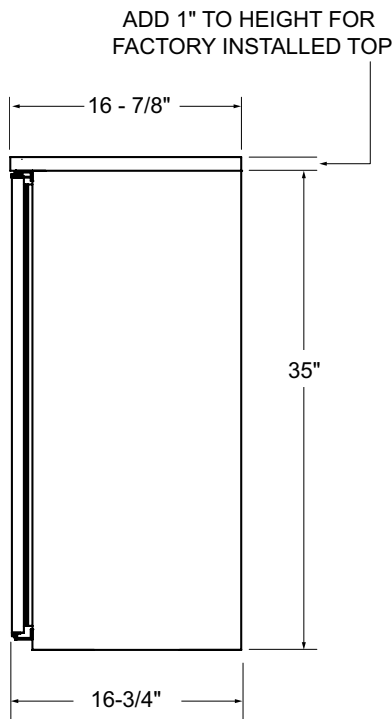
\*NOTE: CS1FB units are manufactured to order and are not returnable.

**PRODUCT INFORMATION**

(see CS1FB Spec Sheet for complete details)

**STANDARD FEATURES:**

- Self contained
- All stainless steel interior construction
- Three adjustable coated shelves per door included
- Listed as NSF Standard 7 for open food as a display refrigerator



Side Elevation

\*NOTE: CS1FB units are manufactured to order and are not returnable.

## Select Configurable Options:

### VOLTAGE

120V/60HZ	No charge
220V/50HZ (export voltage)	\$307

### TEMPERATURE

Beer / Food, 34° to 40°, standard	No charge
White wine, 50° to 55°	No charge
Red wine, 60° to 65°	No charge

### REFRIGERATION COMPARTMENT LOCATION

Left	No charge
Right	No charge

### REFRIGERATION COMPARTMENT COVER FINISH

Black vinyl-clad	No charge
Unlaminated	No charge
Stainless steel	\$39
Jeweled stainless steel	\$232
Laminated	\$270

### DOOR OPTIONS

NOTE: Select options for EACH Door Section

### STYLE AND FINISH - PER SECTION

Door - Black vinyl-clad	No charge
Door - Unlaminated	No charge
Door - Stainless steel	\$48
Door - Jeweled stainless	\$252
Door - Laminated	\$288
Door - Glass, black vinyl-clad	\$559
Door - Glass, stainless steel	\$607
Door - Glass, jeweled stainless	\$811
Door - Glass, laminated	\$847

### DOOR HINGE LOCATION - PER DOOR

Left	No charge
Right	No charge

### DOOR HANDLE - PER DOOR

Signature handle	No charge
Pull-tab handle - stainless or black to match door; black for laminate	No charge
Tube handle	No charge

### TOP STYLE

	52"	60"	72"	84"
No finished top	No charge			
Stainless top	\$629	\$683	\$764	\$846

### LEFT SIDE FINISH

Black vinyl-clad	No charge
Stainless Steel	\$48

### RIGHT SIDE FINISH

Black vinyl-clad	No charge
Stainless Steel	\$48

### BACK FINISH

	52"	60"	72"	84"
Galvanized steel	No charge			
Stainless steel*	\$460	\$488	\$528	\$568

\*NOTE: Stainless steel back option also includes stainless steel sides.

### LED LIGHTING STYLE

Bright white (7,000k), standard	No charge
Warm white (3,500k)	No charge
Amber (2,700k)	No charge
Blue	No charge

### LEG AND STAINLESS STEEL KICK RAILS

NOTE: Legs are required if kick rails are ordered.

	52"	60"	72"	84"
6" legs	\$204	\$204	\$305	\$305
Front kick rail	\$162	\$173	\$190	\$204
Left side kick rail	\$127	\$127	\$127	\$127
Right side kick rail	\$127	\$127	\$127	\$127

### CASTERS

	52"	60"	72"	84"
4-1/8" casters	\$182	\$182	\$275	\$275
2-7/8" casters	\$176	\$176	\$264	\$264
1-1/2" casters	\$310	\$310	\$464	\$464



Signature handle



Pull-tab handle



Tube handle

Bar Refrigeration



CS1RB60 with refrigeration hook up left, stainless doors and top

**PRODUCT INFORMATION**

(see CS1RB Spec Sheet for complete details)

**STANDARD FEATURES:**

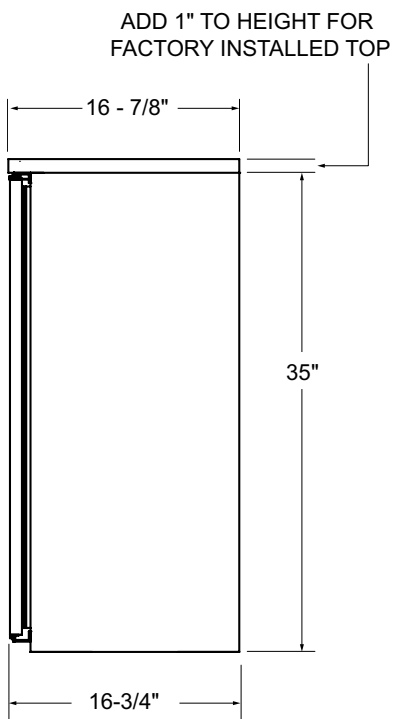
- DOE 2017 compliant
- Remote unit
- All stainless steel interior construction
- Three adjustable coated shelves per door included
- Listed to NSF Standard 7 for open food as a storage refrigerator

**COOLERS - SHALLOW DEPTH, ONE ZONE, REMOTE, BAR PROFILE\***

MODEL	LIST	LENGTH	DOORS	WEIGHT	BTU/HR	LONG NECK 750ML WINE	
						CASES	BOTTLES
CS1RB40*	\$6,362	40"	2	260#	1,075	7.1	66
CS1RB48*	\$6,805	48"	2	270#	1,175	8.8	86
CS1RB60*	\$8,446	60"	3	370#	1,350	11.8	110
CS1RB72*	\$9,194	72"	3	385#	1,450	14.3	146
CS1RB80*	\$10,736	80"	4	475#	1,650	16.4	152

Base price only. See next page for configurable options.

Bar Refrigeration



Side Elevation

\*NOTE: CS1RB units are manufactured to order and are not returnable.

**ACCESSORY FOR REMOTE COOLER CABINET**

MODEL	DESCRIPTION	LIST	WT
SVC	Solenoid valve and coil kit, for remote unit	\$316	6#
SVC-L	Solenoid valve and coil kit with factory installation, for remote unit	\$668	6#

\*NOTE: CS1RB units are manufactured to order and are not returnable.

### Select Configurable Options:

#### VOLTAGE

120V/60HZ	No charge
220V/50HZ (export voltage)	\$156

#### TEMPERATURE

Beer / Food, 34° to 40°, standard	No charge
White wine, 50° to 55°	No charge
Red wine, 60° to 65°	No charge

#### EXPANSION VALVE TYPE

R448A or R449A	No charge
R134a or R513A	No charge
R404A or R452A	No charge
R407A or R407F	No charge

#### REFRIGERATION HOOK-UP LOCATION

Left	No charge
Right	No charge

#### DOOR OPTIONS

NOTE: Select options for EACH Door Section

#### STYLE AND FINISH - PER DOOR

Door - Black vinyl-clad	No charge
Door - Unlaminated	No charge
Door - Stainless steel	\$48
Door - Jeweled stainless	\$252
Door - Laminated	\$288
Door - Glass, black vinyl-clad	\$559
Door - Glass, stainless steel	\$607
Door - Glass, jeweled stainless	\$811
Door - Glass, laminated	\$847

#### DOOR HINGE LOCATION - PER DOOR

Left	No charge
Right	No charge

#### DOOR HANDLE - PER DOOR

Signature handle	No charge
Pull-tab handle - stainless or black to match door; black for laminate	No charge
Tube handle	No charge

#### TOP STYLE

	40"	48"	60"	72"	80"
No finished top	No charge				
Stainless top	\$546	\$601	\$683	\$764	\$819

#### LEFT SIDE FINISH

Black vinyl-clad	No charge
Stainless Steel	\$48

#### RIGHT SIDE FINISH

Black vinyl-clad	No charge
Stainless Steel	\$48

#### BACK FINISH

	40"	48"	60"	72"	80"
Galvanized steel	No charge				
Stainless steel*	\$417	\$446	\$488	\$528	\$555

\*NOTE: Stainless steel back option also includes stainless steel sides.

#### LED LIGHTING STYLE

Bright white (7,000k), standard	No charge
Warm white (3,500k)	No charge
Amber (2,700k)	No charge
Blue	No charge

#### LEG AND STAINLESS STEEL KICK RAILS

NOTE: Legs are required if kick rails are ordered.

	40"	48"	60"	72"	80"
6" legs	\$204	\$204	\$305	\$305	\$305
Front kick rail	\$145	\$158	\$173	\$190	\$199
Left side kick rail	\$127	\$127	\$127	\$127	\$127
Right side kick rail	\$127	\$127	\$127	\$127	\$127



Signature handle



Pull-tab handle



Tube handle

Bar Refrigeration



C1FL60 with compressor left, and stainless doors and top

**PRODUCT INFORMATION**

(see C1FL Spec Sheet for complete details)

**STANDARD FEATURES:**

- Self-contained
- All stainless steel interior construction
- Listed to NSF Standard 7 for open food as a storage refrigerator

\*NOTE: C1FL units are manufactured to order and are not returnable.

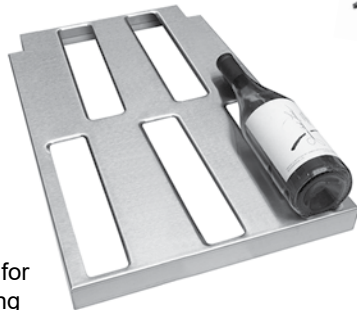
**COOLERS - ONE ZONE, FRONT SERVICED, LOW PROFILE\***

MODEL	LIST	LENGTH	DOOR		LONG NECK 750ML WINE				
			DOORS	OPENING	WEIGHT	AMPS	HP	CASES	BOTTLES
C1FL32*	\$6,838	32"	1	16" W	220#	3.0	1/8	3.8	30
C1FL36*	\$6,906	36"	1	20" W	235#	3.0	1/8	5.2	42
C1FL52*	\$8,968	52"	2	16" W	300#	7.0	1/4	8.8	72
C1FL60*	\$9,151	60"	2	20" W	320#	7.0	1/4	11.5	84
C1FL72*	\$10,782	72"	3	16" W	390#	7.0	1/4	14.0	114
C1FL84*	\$11,004	84"	3	20" W	420#	7.0	1/4	18.0	132
C1FL92*	\$12,947	92"	4	16" W	550#	7.0	1/4	19.2	156
C1FL108*	\$13,211	108"	4	20" W	570#	7.0	1/4	24.5	180

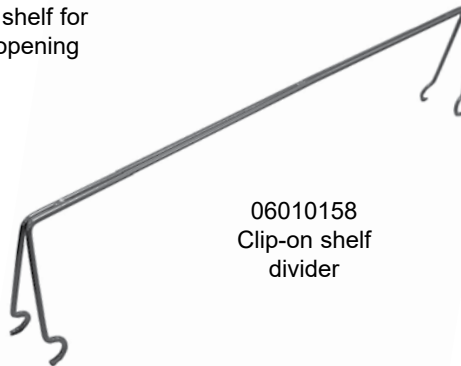
Base price only. See next page for configurable options.



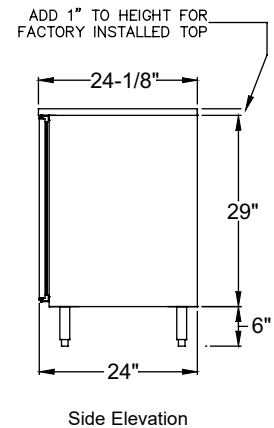
CWS-20  
Wine rack shelf for  
20" door opening



CWS-16  
Wine rack shelf for  
16" door opening



06010158  
Clip-on shelf  
divider



**ACCESSORIES**

MODEL	DESCRIPTION	LIST
CWS-16	Wine rack shelf for 16" door opening, 5 bottle	\$181
CWS-20	Wine rack shelf for 20" door opening, 7 bottle	\$205
06010158	Clip-on shelf divider	\$48

Bar Refrigeration

\*NOTE: C1FL units are manufactured to order and are not returnable.

## Select Configurable Options:

### VOLTAGE

120V/60HZ	No charge
220V/50HZ (export voltage)	\$307

### TEMPERATURE

Beer / Food, 34° to 40°, standard	No charge
White wine, 50° to 55°	No charge
Red wine, 60° to 65°	No charge

### REFRIGERATION COMPARTMENT LOCATION

Left	No charge
Right	No charge

### REFRIGERATION COMPARTMENT COVER FINISH

Black vinyl-clad	No charge
Unlaminated	No charge
Stainless steel	\$39
Jeweled stainless steel	\$232
Laminated	\$270

### DOOR OPTIONS

NOTE: Select options for EACH Door Section

#### STYLE AND FINISH - PER SECTION

Door - Black vinyl-clad	No charge
Door - Unlaminated	No charge
Door - Stainless steel	\$48
Door - Jeweled stainless	\$252
Door - Laminated	\$288
Door - Glass, black vinyl-clad	\$559
Door - Glass, stainless steel	\$607
Door - Glass, jeweled stainless	\$811
Door - Glass, laminated	\$847

#### DOOR HINGE LOCATION - PER DOOR

Left	No charge
Right	No charge

#### SHELVING - PER DOOR

Two adjustable shelves	No charge
Pull-out wine shelves:	
• w/upright and horizontal storage	\$2,101
• w/horizontal storage*	\$2,802

\*Note: Not available for door next to the compressor compartment

#### DOOR HANDLE - PER DOOR

Signature handle	No charge
Pull-tab handle - stainless or black to match door; black for laminate	No charge
Tube handle	No charge

### TOP STYLE

	32"	36"	52"	60"	72"	84"	92"	108"
No finished top	No charge							
Stainless top	\$493	\$519	\$629	\$683	\$764	\$846	\$900	\$1,011
Drainboard top	\$819	\$869	\$1,058	\$1,154	\$1,293	\$1,436	\$1,533	\$1,721

### 4" HIGH STAINLESS SPLASHES

	32"	36"	52"	60"	72"	84"	92"	108"
NOTE: Can only be ordered with stainless steel top								
Backsplash	\$174	\$186	\$217	\$231	\$257	\$280	\$297	\$329
Left side splash	\$161	\$161	\$161	\$161	\$161	\$161	\$161	\$161
Right side splash	\$161	\$161	\$161	\$161	\$161	\$161	\$161	\$161

### LEFT SIDE FINISH

Black vinyl-clad	No charge
Stainless Steel	\$48

### RIGHT SIDE FINISH

Black vinyl-clad	No charge
Stainless Steel	\$48

### BACK FINISH

	32"	36"	52"	60"	72"	84"	92"	108"
Galvanized steel	No charge							
Stainless steel*	\$392	\$404	\$460	\$488	\$528	\$568	\$598	\$652

\*NOTE: Stainless steel back option also includes stainless steel sides.

### LED LIGHTING STYLE

Bright white (7,000k), standard	No charge
Warm white (3,500k)	No charge
Amber (2,700k)	No charge
Blue	No charge

### LEG AND STAINLESS STEEL KICK RAILS

NOTE: Legs are required if kick rails are ordered.

	32"	36"	52"	60"	72"	84"	92"	108"
6" legs	\$253	\$253	\$204	\$204	\$305	\$305	\$305	\$305
Front kick rail	\$137	\$142	\$162	\$173	\$190	\$204	\$215	\$233
Left side kick rail	\$127	\$127	\$127	\$127	\$127	\$127	\$127	\$127
Right side kick rail	\$127	\$127	\$127	\$127	\$127	\$127	\$127	\$127

### CASTERS

	32"	36"	52"	60"	72"	84"	92"	108"
4-1/8" casters	\$223	\$223	\$182	\$182	\$275	\$275	\$275	\$275
2-7/8" casters	\$220	\$220	\$176	\$176	\$264	\$264	\$264	\$264
1-1/2" casters	\$387	\$387	\$310	\$310	\$464	\$464	\$464	\$464



Optional pull-out wine shelves Horizontal (left) and upright (right) storage shown



Signature handle



Pull tab handle



Tube handle

Bar Refrigeration



C1RL96 with refrigeration hook up left, stainless doors and top

**PRODUCT INFORMATION**

(see C1RL Spec Sheets for complete details)

**STANDARD FEATURES:**

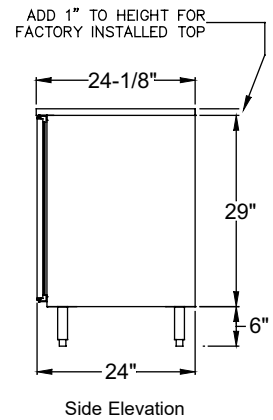
- Remote unit
- All stainless steel interior construction
- Listed to NSF Standard 7 for open food as a storage refrigerator

**COOLERS - ONE ZONE, REMOTE, LOW PROFILE\***

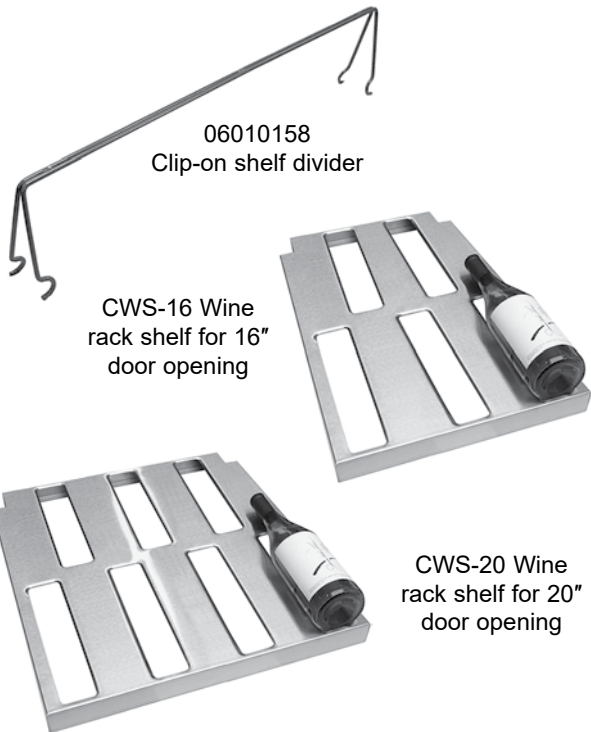
MODEL	LIST	LENGTH	DOOR			BTU /HR	LONG NECK 750ML WINE	
			DOORS	OPENING	WEIGHT		CASES	BOTTLES
C1RL24*	\$5,180	24" W	1	20"	170#	800	4.3	36
C1RL40*	\$6,416	40" W	2	16"	270#	1,000	8.2	72
C1RL48*	\$6,548	48" W	2	20"	275#	1,000	10.3	84
C1RL60*	\$8,573	60" W	3	16"	380#	1,300	12.8	120
C1RL72*	\$8,749	72" W	3	20"	390#	1,300	16.8	132
C1RL80*	\$10,637	80" W	4	16"	485#	1,600	18.0	166
C1RL96*	\$10,854	96" W	4	20"	500#	1,600	23.3	180

Base price only. See next page for configurable options.

\*C1RL coolers are manufactured to order and are not returnable.



Bar Refrigeration



06010158  
Clip-on shelf divider

CWS-16 Wine rack shelf for 16" door opening

CWS-20 Wine rack shelf for 20" door opening

**ACCESSORIES**

MODEL	DESCRIPTION	LIST
CWS-16	Wine rack shelf for 16" door opening, 5 bottle	\$181
CWS-20	Wine rack shelf for 20" door opening, 7 bottle	\$205
06010158	Clip-on shelf divider	\$48

**ACCESSORY FOR REMOTE COOLER CABINET**

MODEL	DESCRIPTION	LIST	WT
SVC	Solenoid valve and coil kit, for remote unit	\$316	6#
SVC-L	Solenoid valve and coil kit with factory installation, for remote unit	\$668	6#

\*NOTE: C1RL coolers are manufactured to order and are not returnable.

### Select Configurable Options:

#### VOLTAGE

120V/60HZ	No charge
220V/50HZ (export voltage)	\$156

#### TEMPERATURE

Beer / Food, 34° to 40°, standard	No charge
White wine, 50° to 55°	No charge
Red wine, 60° to 65°	No charge

#### EXPANSION VALVE TYPE

R448A or R449A	No charge
R134a or R513A	No charge
R404A or R452A	No charge
R407A or R407F	No charge

#### REFRIGERATION HOOK-UP LOCATION

Left	No charge
Right	No charge

#### DOOR OPTIONS

NOTE: Select options for EACH Door Section

#### STYLE AND FINISH - PER DOOR

Door - Black vinyl-clad	No charge
Door - Unlaminated	No charge
Door - Stainless steel	\$48
Door - Jeweled stainless	\$252
Door - Laminated	\$288
Door - Glass, black vinyl-clad	\$559
Door - Glass, stainless steel	\$607
Door - Glass, jeweled stainless	\$811
Door - Glass, laminated	\$847

#### DOOR HINGE LOCATION - PER DOOR

Left	No charge
Right	No charge

#### SHELVING - PER DOOR

Two adjustable shelves	No charge
Pull-out wine shelves w/upright and horizontal storage	\$1,929

#### DOOR HANDLE - PER DOOR

Signature handle	No charge
Pull-tab handle - stainless or black to match door; black for laminate	No charge
Tube handle	No charge

#### TOP STYLE

	24"	40"	48"	60"	72"	80"	96"
No finished top	No charge						
Stainless top	\$440	\$546	\$601	\$683	\$764	\$819	\$928

#### 4" HIGH STAINLESS SPLASHES

	24"	40"	48"	60"	72"	80"	96"
NOTE: Can only be ordered with stainless steel top							
Backsplash	\$161	\$192	\$206	\$231	\$257	\$271	\$304
Left side splash	\$161	\$161	\$161	\$161	\$161	\$161	\$161
Right side splash	\$161	\$161	\$161	\$161	\$161	\$161	\$161

#### LEFT SIDE FINISH

Black vinyl-clad	No charge
Stainless Steel	\$48

#### RIGHT SIDE FINISH

Black vinyl-clad	No charge
Stainless Steel	\$48

#### BACK FINISH

	24"	40"	48"	60"	72"	80"	96"
Galvanized steel	No charge						
Stainless steel*	\$365	\$417	\$446	\$488	\$528	\$555	\$610

\*NOTE: Stainless steel back option also includes stainless steel sides.

#### LED LIGHTING STYLE

Bright white (7,000k), standard	No charge
Warm white (3,500k)	No charge
Amber (2,700k)	No charge
Blue	No charge

#### LEG AND STAINLESS STEEL KICK RAILS

NOTE: Legs are required if kick rails are ordered.

	24"	40"	48"	60"	72"	80"	96"
6" legs	\$204	\$204	\$204	\$305	\$305	\$305	\$305
Front kick rail	\$127	\$145	\$158	\$173	\$190	\$199	\$220
Left side kick rail	\$127	\$127	\$127	\$127	\$127	\$127	\$127
Right side kick rail	\$127	\$127	\$127	\$127	\$127	\$127	\$127



Optional pull-out wine shelves  
Horizontal (left) and upright (right) storage shown



Signature handle



Pull-tab handle



Tube handle

Bar Refrigeration



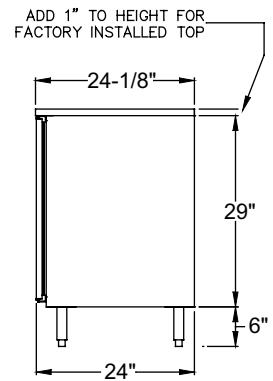
C1SL48  
with compressor left,  
stainless doors and top

**PRODUCT INFORMATION**

(see C1SL Spec Sheet for complete details)

**STANDARD FEATURES:**

- Self-contained
- All stainless steel interior construction
- Listed to NSF Standard 7 for open food as a storage refrigerator



Side Elevation

**COOLERS - ONE ZONE, SIDE SERVICED, LOW PROFILE**

MODEL	LIST	LENGTH	DOOR		WEIGHT	AMPS	HP	LONG NECK 750ML WINE	
			DOORS	OPENING				CASES	BOTTLES**
C1SL20	\$6,373	20"	1	12" W	165#	2.75	1/8	2.8	28
C1SL24	\$6,179	24"	1	17.5" W	180#	2.75	1/8	4.5	36
C1SL28	\$6,413	28"	1	20" W	195#	2.75	1/8	5.1	42
C1SL36	\$8,363	36"	2	12" W	230#	2.75	1/8	6.9	54
C1SL44	\$8,698	44"	2	16" W	255#	2.75	1/8	8.9	72
C1SL48	\$8,867	48"	2	18" W	280#	2.75	1/8	10.3	84

\*\*Wine bottle capacity is based on adjustable shelves. Drawers are not intended for upright storage of wine bottles.

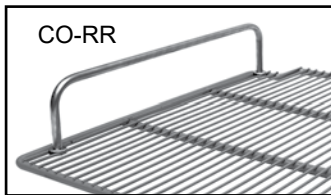
\*NOTE: C1SL units are manufactured to order and are not returnable.

Base price only. See next page for configurable options.

**ACCESSORIES**

MODEL	DESCRIPTION	LIST
CO-RR	Shelf retention rail	\$77
CWS-12	Wine rack shelf for 12" door opening, 3 bottle	\$156
CWS-16	Wine rack shelf for 16" door opening, 5 bottle	\$181
CWS-17	Wine rack shelf for 17.5" door opening, 5 bottle	\$194
CWS-18	Wine rack shelf for 18" door opening, 5 bottle	\$196
CWS-20	Wine rack shelf for 20" door opening, 7 bottle	\$205
DICF-12L	Drawer insert, garnishes, full, 12" door opening, low-profile cooler, 6 cups	\$386
DICP-12L	Drawer insert, garnishes, partial, 12" door opening, low-profile cooler, 4 cups	\$290
DICF-16L	Drawer insert, garnishes, full, 16" door opening, low-profile cooler, 12 cups	\$568
DICP-16L	Drawer insert, garnishes, partial, 16" door opening, low-profile cooler, 8 cups	\$412
DICF-17L	Drawer insert, garnishes, full, 17.5" door opening, low-profile cooler, 12 cups	\$572
DICP-17L	Drawer insert, garnishes, partial, 17.5" door opening, low-profile cooler, 8 cups	\$414
DICF-18L	Drawer insert, garnishes, full, 18" door opening, low-profile cooler, 12 cups	\$578
DICP-18L	Drawer insert, garnishes, partial, 18" door opening, low-profile cooler, 8 cups	\$417
DICF-20L	Drawer insert, garnishes, full, 20" door opening, low-profile cooler, 15 cups	\$668
DICP-20L	Drawer insert, garnishes, partial, 20" door opening, low-profile cooler, 10 cups	\$477
DIP-17	Drawer insert for fractional stainless pans, 17.5" door opening (pans not included)	\$258
DIP-18	Drawer insert for fractional stainless pans, 18" door opening (pans not included)	\$264
DIP-20	Drawer insert for fractional stainless pans, 20" door opening (pans not included)	\$287
06010158	Clip-on shelf divider	\$48

**Bar Refrigeration**

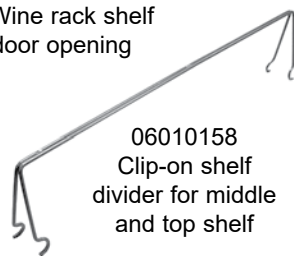


CO-RR

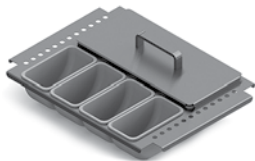
The CO-RR shelf retention rail should be used on all shelves adjacent to kegs. (CO-RR shown installed on shelf)



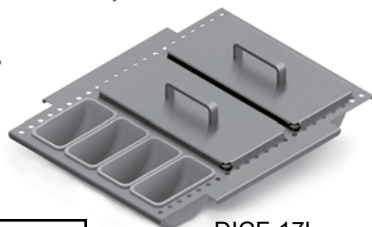
CWS-20 Wine rack shelf for 20" door opening



06010158  
Clip-on shelf divider for middle and top shelf



DICP-17L



DICF-17L

Front covers removed for illustrative purposes



DIP-18  
Pans not included

### Select Configurable Options:

#### VOLTAGE

120V/60HZ	No charge
220V/50HZ (export voltage)	\$307

#### TEMPERATURE

Beer / Food, 34° to 40°, standard	No charge
White wine, 50° to 55°	No charge
Red wine, 60° to 65°	No charge

#### REFRIGERATION COMPARTMENT LOCATION

Left	No charge
Right	No charge

#### REFRIGERATION COMPARTMENT COVER FINISH

Black vinyl-clad	No charge
Stainless steel	\$39
Jeweled stainless steel	\$232

#### DOOR/DRAWER OPTIONS

NOTE: Select options for EACH Door/Drawer Section

#### STYLE AND FINISH - PER SECTION

Door - Black vinyl-clad	No charge
Door - Unlaminated	No charge
Door - Stainless steel	\$48
Door - Jeweled stainless	\$252
Door - Laminated	\$288
Door - Glass, black vinyl-clad	\$559
Door - Glass, stainless steel	\$607
Door - Glass, jeweled stainless	\$811
Door - Glass, laminated	\$847
Drawers - Black vinyl-clad	\$2,314
Drawers - Unlaminated	\$2,314
Drawers - Stainless steel	\$2,362
Drawers - Jeweled stainless	\$2,566
Drawers - Laminated	\$2,602

#### DOOR HINGE LOCATION - PER DOOR

Left	No charge
Right	No charge

#### SHELVING - PER DOOR

Two adjustable shelves	No charge
Pull-out wine shelves:	
• w/upright and horizontal storage*	\$2,101
• w/horizontal storage*	\$2,802

\*Note: Not available for 12" door opening models

#### DOOR HANDLE - PER DOOR/DRAWER

Signature handle (doors only)	No charge
Pull-tab handle - stainless or black to match door; black for laminate	No charge
Tube handle	No charge

\*NOTE: C1SL units are manufactured to order and are not returnable.



Optional pull-out wine shelves Horizontal (left) and upright (right) storage shown



#### TOP STYLE

	20"	24"	28"	36"	44"	48"
No finished top				No charge		
Stainless top	\$412	\$440	\$465	\$519	\$575	\$601
Drainboard top	\$677	\$725	\$772	\$869	\$962	\$1,011

#### 4" HIGH STAINLESS SPLASHES

	20"	24"	28"	36"	44"	48"
NOTE: Can only be ordered with stainless steel top						
Backsplash	\$156	\$161	\$170	\$186	\$200	\$206
Left side splash	\$161	\$161	\$161	\$161	\$161	\$161
Right side splash	\$161	\$161	\$161	\$161	\$161	\$161

#### LEFT SIDE FINISH

Black vinyl-clad	No charge
Stainless Steel	\$48

#### RIGHT SIDE FINISH

Black vinyl-clad	No charge
Stainless Steel	\$48

#### BACK FINISH

	20"	24"	28"	36"	44"	48"
Galvanized steel				No charge		
Stainless steel*	\$351	\$365	\$377	\$404	\$431	\$446

\*NOTE: Stainless steel back option also includes stainless steel sides.

#### LED LIGHTING STYLE

Bright white (7,000k), standard	No charge
Warm white (3,500k)	No charge
Amber (2,700k)	No charge
Blue	No charge

#### LEG AND STAINLESS STEEL KICK RAILS

NOTE: Legs are required if kick rails are ordered.

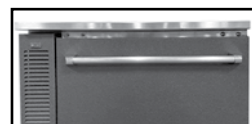
	20"	24"	28"	36"	44"	48"
6" legs	\$204	\$204	\$204	\$204	\$204	\$204
Front kick rail	\$123	\$127	\$133	\$142	\$153	\$158
Left side kick rail	\$127	\$127	\$127	\$127	\$127	\$127
Right side kick rail	\$127	\$127	\$127	\$127	\$127	\$127

#### CASTERS

	20"	24"	28"	36"	44"	48"
4-1/8" casters	\$182	\$182	\$182	\$182	\$182	\$182
2-7/8" casters	\$176	\$176	\$176	\$176	\$176	\$176
1-1/2" casters	\$310	\$310	\$310	\$310	\$310	\$310



Drawer pull-tab handle



Drawer tube handle



Tube handle



Optional drawers include adjustable divider walls



Signature handle



Pull-tab handle

Bar Refrigeration



C1TH24F  
with glass door  
and adjustable shelves

**PRODUCT INFORMATION**

(see C1TH24F Spec Sheet for complete details)

**STANDARD FEATURES:**

- Self-contained
- All stainless steel interior construction
- Tube handle
- Listed to NSF Standard 7 for open food as a storage refrigerator

**COOLERS - HIGH PROFILE - FULL DOOR**

LIST	LENGTH	DOOR	DOOR OPENING	WEIGHT	AMPS	HP
\$10,309**	24"	1	20" W	350#	3.0	1/6

\*High profile coolers are made to order and are not returnable  
\*\*Base price only. See below for configurable options

**CAPACITIES**

12 oz. bottles, cases	14.7
750ml wine bottles	132
750ml wine bottles (horizontal pull-out)	104

**Select Configurable Options:**

**VOLTAGE**

120V/60HZ	No charge
220V/50HZ (export voltage)	\$307

**TEMPERATURE**

Beer / Food, 34° to 40°, standard	No charge
White wine, 50° to 55°	No charge
Red wine, 60° to 65°	No charge

**REFRIGERATION COMPARTMENT FINISH**

Black vinyl-clad	No charge
Stainless steel	\$39

**DOOR OPTION**

**STYLE AND FINISH**

Black vinyl-clad	No charge
Unlaminated	No charge
Stainless steel	\$96
Laminated	\$576
Glass, black vinyl-clad	\$1,118
Glass, stainless steel	\$1,214
Glass, laminated	\$1,694

**DOOR HINGE LOCATION**

Left	No charge
Right	No charge

**SHELVING**

Adjustable, coated-wire shelves	No charge
Horizontal, pull-out wine shelves	\$6,797

**LEFT AND RIGHT SIDE FINISH**

Black vinyl-clad	No charge
Stainless Steel	\$192

**BACK FINISH**

Galvanized steel	No charge
Stainless steel*	\$542

\*NOTE: Stainless steel back option also includes stainless steel sides.

**LED LIGHTING STYLE**

Bright white (7,000k), standard	No charge
Warm white (3,500k)	No charge
Amber (2,700k)	No charge
Blue	No charge

**LEG AND STAINLESS STEEL KICK RAILS**

NOTE: Legs are required if kick rails are ordered.

6" legs	\$204
Front kick rail	\$127
Left side kick rail	\$127
Right side kick rail	\$127

**CASTERS**

4-1/8" casters	\$182
2-7/8" casters	\$176
1-1/2" casters	\$310



C1TH24H  
with glass doors and  
wine shelves

**HIGH PROFILE - ONE ZONE - TWO HALF HEIGHT DOORS**

LIST	LENGTH	DOOR		WEIGHT	AMPS	HP
		DOOR	OPENING			
\$10,309**	24"	2	20" W	350#	3.0	1/6

\*High profile coolers are made to order and are not returnable  
\*\*Base price only. See below for configurable options

**PRODUCT INFORMATION**

(see C1TH24H Spec Sheet for complete details)

**STANDARD FEATURES:**

- Self-contained
- All stainless steel interior construction
- Tube handle
- Listed to NSF Standard 7 for open food as a storage refrigerator

**CAPACITIES**

	Upper	Lower
12 oz. bottles, cases	6.7	8
750ml wine bottles	60	72
750ml wine bottles (horizontal pull-out)	48	48

**Select Configurable Options:**

**VOLTAGE**

120V/60HZ	No charge
220V/50HZ (export voltage)	\$307

**TEMPERATURE**

Beer / Food, 34° to 40°, standard	No charge
White wine, 50° to 55°	No charge
Red wine, 60° to 65°	No charge

**REFRIGERATION COMPARTMENT FINISH**

Black vinyl-clad	No charge
Stainless steel	\$39

**DOOR/DRAWER OPTION**

**STYLE AND FINISH - PER SECTION**

Door - Black vinyl-clad	No charge
Door - Unlaminated	No charge
Door - Stainless steel	\$48
Door - Laminated	\$288
Door - Glass, black vinyl-clad	\$559
Door - Glass, stainless steel	\$607
Door - Glass, laminated	\$847
Drawers* - Black vinyl-clad	\$2,314
Drawers* - Unlaminated	\$2,314
Drawers* - Stainless steel	\$2,362
Drawers* - Laminated	\$2,602

\*NOTE: Drawers are for lower section only

**DOOR HINGE LOCATION**

Left	No charge
Right	No charge

**SHELVING - PER SECTION**

Adjustable, coated-wire shelves	No charge
Horizontal, pull-out wine shelves (upper)	\$3,199
Horizontal, pull-out wine shelves (lower)	\$3,199

**LEFT AND RIGHT SIDE FINISH**

Black vinyl-clad	No charge
Stainless Steel	\$192

**BACK FINISH**

Galvanized steel	No charge
Stainless steel*	\$542

\*NOTE: Stainless steel back option also includes stainless steel sides.

**LED LIGHTING STYLE**

Bright white (7,000k), standard	No charge
Warm white (3,500k)	No charge
Amber (2,700k)	No charge
Blue	No charge

**LEG AND STAINLESS STEEL KICK RAILS**

NOTE: Legs are required if kick rails are ordered.

6" legs	\$204
Front kick rail	\$127
Left side kick rail	\$127
Right side kick rail	\$127

**CASTERS**

4-1/8" casters	\$182
2-7/8" casters	\$176
1-1/2" casters	\$310

Bar Refrigeration



C2TH24H  
with glass doors  
and adjustable shelves

**HIGH PROFILE - TWO ZONE - TWO HALF HEIGHT DOORS**

LIST	LENGTH	DOOR		WEIGHT	AMPS	HP
		DOOR	OPENING			
\$11,915**	74"	2	20" W	360#	3.0	1/6

\*High profile coolers are made to order and are not returnable

\*\*Base price only. See below for configurable options

**PRODUCT INFORMATION**  
(see C2TH24H Spec Sheet for complete details)

**STANDARD FEATURES:**

- Self-contained
- All stainless steel interior construction
- Tube handle
- Listed to NSF Standard 7 for open food as a storage refrigerator

**CAPACITIES**

	Upper	Lower
12 oz. bottles, cases	7.3	
750ml wine bottles	66	
750ml wine bottles (horizontal pull-out)	40	
12 oz. bottles, cases		N/A
750ml wine bottles		72
750ml wine bottles (horizontal pull-out)		48

**Select Configurable Options:**

**VOLTAGE**

120V/60HZ	No charge
220V/50HZ (export voltage)	\$307

**TEMPERATURE**

Beer / Food, 34° to 40°, standard	No charge
White wine, 50° to 55°	No charge
Red wine, 60° to 65°	No charge

**REFRIGERATION COMPARTMENT FINISH**

Black vinyl-clad	No charge
Stainless steel	\$39

**DOOR/DRAWER OPTION**

**STYLE AND FINISH - PER SECTION**

Door - Black vinyl-clad	No charge
Door - Unlaminated	No charge
Door - Stainless steel	\$48
Door - Laminated	\$288
Door - Glass, black vinyl-clad	\$559
Door - Glass, stainless steel	\$607
Door - Glass, laminated	\$847
Drawers* - Black vinyl-clad	\$2,314
Drawers* - Unlaminated	\$2,314
Drawers* - Stainless steel	\$2,362
Drawers* - Laminated	\$2,602

\*NOTE: Drawers are for lower section only

**DOOR HINGE LOCATION**

Left	No charge
Right	No charge

**SHELVING - PER SECTION**

Adjustable, coated-wire shelves	No charge
Horizontal, pull-out wine shelves (upper)	\$2,802
Horizontal, pull-out wine shelves (lower)	\$3,199

**LEFT AND RIGHT SIDE FINISH**

Black vinyl-clad	No charge
Stainless Steel	\$192

**BACK FINISH**

Galvanized steel	No charge
Stainless steel*	\$542

\*NOTE: Stainless steel back option also includes stainless steel sides.

**LED LIGHTING STYLE**

Bright white (7,000k), standard	No charge
Warm white (3,500k)	No charge
Amber (2,700k)	No charge
Blue	No charge

**LEG AND STAINLESS STEEL KICK RAILS**

NOTE: Legs are required if kick rails are ordered.

6" legs	\$204
Front kick rail	\$127
Left side kick rail	\$127
Right side kick rail	\$127

**CASTERS**

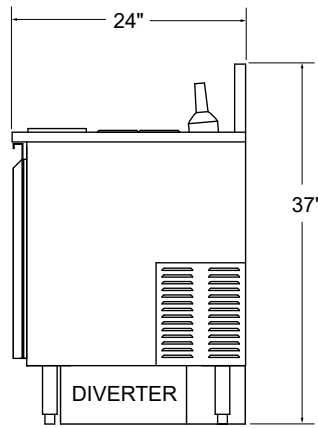
4-1/8" casters	\$182
2-7/8" casters	\$176
1-1/2" casters	\$310

Bar Refrigeration

**CPC24 - Patented.**  
 For more information visit:  
<https://www.glastender.com/patents>



CPC24  
 Bottles not included



Side Elevation



**PRODUCT INFORMATION**

(see CPC Spec Sheet for complete details)

**STANDARD FEATURES:**

- Self-contained
- Drink rail top with removable perforated insert
- Chilled garnish rail for 6 - 1/9 pans (4" deep)
- Bottle rail for 8 elixir bottles
- Removable cutting board
- Locking drawer
- Interior drawer with capacity for 6 - 1/9 pans (4" deep)
- 12 - 1/9 pans with lids included
- Insulated night cover
- 6" legs with adjustable stainless steel bullet feet
- Listed to NSF Standard 7 as a refrigerated food preparation unit
- Base mount airflow diverter

**COCKTAIL PREP COOLER**

LIST	LENGTH	WEIGHT	AMPS	HP
\$9,892	24"	186#	2.20	1/8

**Elevation Cocktail Prep Cooler**



**Patented**

E-CPC24  
 Bottles not included



**PRODUCT INFORMATION**

(see E-CPC Spec Sheet for complete details)

- Self-contained
- Drink rail top with removable perforated insert
- Chilled garnish rail for six 1/9 pans (4" deep)
- Removable cutting board
- Locking drawer
- Interior drawer with capacity for six 1/9 pans (4" deep)
- 1/9 pans with lids included
- Insulated night cover
- Adjustable stainless steel bullet feet

**ELEVATION COCKTAIL PREP COOLER**

MODEL	LIST	LENGTH	WEIGHT
E-CPC24	\$10,423	24"	186#

**Bar Refrigeration**

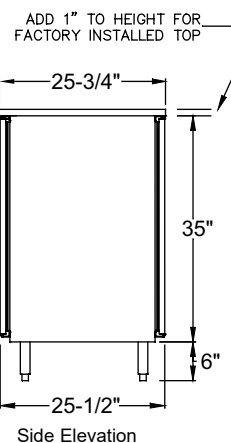


CP1FB72 with compressor left, stainless doors and top

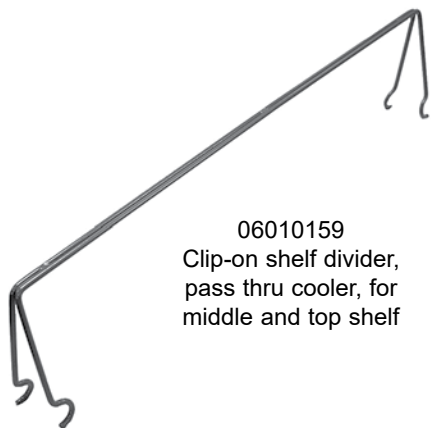
**COOLERS - PASS-THRU, ONE ZONE, FRONT SERVICED, BAR PROFILE\***

MODEL	LIST	LENGTH	DOOR		WEIGHT	AMPS	HP	LONGNECK	750MLWINE
			DOORS	OPENING				CASES	BOTTLES
CP1FB32*	\$9,383	32"	2	16" w	320#	3.0	1/8	6.6	67
CP1FB36*	\$9,480	36"	2	20" w	325#	3.0	1/8	8.8	79
CP1FB52*	\$12,433	52"	4	16" w	435#	7.0	1/4	14.6	129
CP1FB60*	\$12,816	60"	4	20" w	445#	7.0	1/4	19.1	177
CP1FB72*	\$16,231	72"	6	16" w	580#	7.0	1/4	23.1	209
CP1FB84*	\$16,733	84"	6	20" w	595#	7.0	1/4	29.9	271

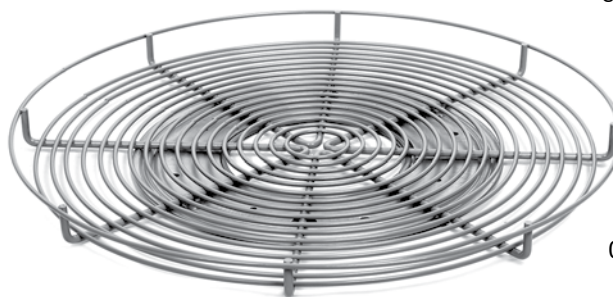
Base price only. See next page for configurable options.



\*NOTE: CP1FB coolers are manufactured to order and are not returnable.



06010159  
Clip-on shelf divider, pass thru cooler, for middle and top shelf



06009785

In a typical cooler, only the front row of bottles is easy to access. Glastender's rotary wine shelf increases access by 270% (16 vs. 6 bottles).

The rotary wine shelf is for use with CP1FB36, CP1FB60, and CP1FB84 model coolers. Two rotary shelves can be used behind each 20" door opening, where they sit on two standard cooler shelves. Each rotary shelf holds up to 29 wine bottles (750ml).

**PRODUCT INFORMATION**

(see CP1FB Spec Sheet for complete details)

**STANDARD FEATURES:**

- Self-contained
- All stainless steel interior construction
- Three adjustable coated shelves per section
- Listed to NSF Standard 7 for open food as a storage refrigerator

**ACCESSORIES**

MODEL	DESCRIPTION	LIST
06009785	Rotary wine shelf (20" door opening ONLY)	\$301
CWS-16P	Wine rack shelf for 16" door opening, 5 bottle	\$196
CWS-20P	Wine rack shelf for 20" door opening, 7 bottle	\$223
06010159	Clip-on shelf divider for middle and top shelf	\$48
06006013	Clip-on shelf divider for bottom shelf only	\$48

Bar Refrigeration

## Select Configurable Options:

\*NOTE: CP1FB coolers are manufactured to order and are not returnable.

### VOLTAGE

120V/60HZ	No charge
220V/50HZ (export voltage)	\$307

### TEMPERATURE

Beer / Food, 34° to 40°, standard	No charge
White wine, 50° to 55°	No charge
Red wine, 60° to 65°	No charge

### REFRIGERATION COMPARTMENT LOCATION

Left	No charge
Right	No charge

### REFRIGERATION COMPARTMENT COVER FINISH

NOTE: Specify and add for both the front and the back

Black vinyl-clad	No charge
Unlaminated	No charge
Stainless steel	\$39
Jeweled stainless steel	\$232
Laminated	\$270

### DOOR OPTIONS

NOTE: Select options for EACH Door

#### STYLE AND FINISH - PER DOOR

Door - Black vinyl-clad	No charge
Door - Unlaminated	No charge
Door - Stainless steel	\$48
Door - Jeweled stainless	\$252
Door - Laminated	\$288
Door - Glass, black vinyl-clad	\$559
Door - Glass, stainless steel	\$607
Door - Glass, jeweled stainless	\$811
Door - Glass, laminated	\$847

#### DOOR HINGE LOCATION - PER DOOR

Left	No charge
Right	No charge

#### DOOR HANDLE - PER DOOR

Signature handle	No charge
Pull-tab handle - stainless or black to match door; black for laminate	No charge
Tube handle	No charge

### TOP STYLE

	32"	36"	52"	60"	72"	84"
No finished top	No charge					
Stainless top	\$562	\$595	\$728	\$793	\$894	\$991

### LEFT SIDE FINISH

Black vinyl-clad	No charge
Stainless Steel	\$48

### RIGHT SIDE FINISH

Black vinyl-clad	No charge
Stainless Steel	\$48

### LED LIGHTING STYLE

Bright white (7,000k), standard	No charge
Warm white (3,500k)	No charge
Amber (2,700k)	No charge
Blue	No charge

### LEG AND STAINLESS STEEL KICK RAILS

NOTE: Legs are required if kick rails are ordered.

	32"	36"	52"	60"	72"	84"
6" legs	\$253	\$253	\$204	\$204	\$305	\$305
Front kick rail	\$137	\$142	\$162	\$173	\$190	\$204
Back kick rail	\$137	\$142	\$162	\$173	\$190	\$204
Left side kick rail	\$127	\$127	\$127	\$127	\$127	\$127
Right side kick rail	\$127	\$127	\$127	\$127	\$127	\$127

### CASTERS

	32"	36"	52"	60"	72"	84"
4-1/8" casters	\$223	\$223	\$182	\$182	\$275	\$275
2-7/8" casters	\$220	\$220	\$176	\$176	\$264	\$264
1-1/2" casters	\$387	\$387	\$310	\$310	\$464	\$464



Signature handle



Pull-tab handle



Tube handle

Bar Refrigeration



CP1RB72 with refrigeration hook up left, stainless doors and top

**PRODUCT INFORMATION**

(see CP1RB Spec Sheet for complete details)

**STANDARD FEATURES:**

- Remote unit
- All stainless steel interior construction
- Three adjustable coated shelves per section
- Listed to NSF Standard 7 for open food as a storage refrigerator

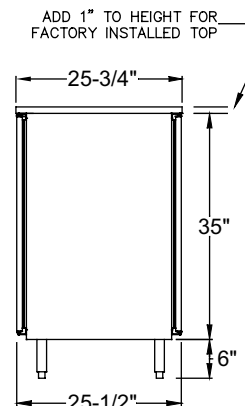
**COOLERS - PASS-THRU, ONE ZONE, REMOTE, BAR PROFILE\***

MODEL	LIST	LENGTH	DOOR		WEIGHT	BTU /HR	LONGNECK	750MLWINE
			DOORS	OPENING			CASES	BOTTLES**
CP1RB24*	\$6,735	24"	2	20"	225#	950	7.7	72
CP1RB40*	\$8,518	40"	4	16"	355#	1,600	13.1	114
CP1RB48*	\$8,785	48"	4	20"	365#	1,600	17.6	156
CP1RB60*	\$12,157	60"	6	16"	495#	2,000	21.6	194
CP1RB72*	\$12,532	72"	6	20"	510#	2,000	28.3	253

Base price only. See next page for configurable options.

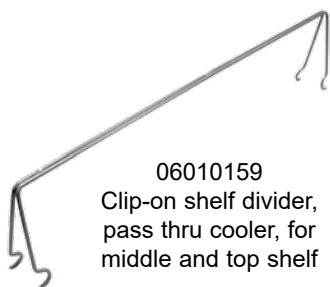
**\*NOTE:**

CP1RB coolers are manufactured to order and are not returnable.



Side Elevation

Bar Refrigeration



06010159  
Clip-on shelf divider, pass thru cooler, for middle and top shelf

**ACCESSORIES**

MODEL	DESCRIPTION	LIST
CWS-16P	Wine rack shelf for 16" door opening, 5 bottles	\$196
CWS-20P	Wine rack shelf for 20" door opening, 7 bottles	\$223
06010159	Clip-on shelf divider for middle and top shelf	\$48
06006013	Clip-on shelf divider for bottom shelf only	\$48

**ACCESSORY FOR REMOTE COOLER CABINET**

MODEL	DESCRIPTION	LIST	WT
SVC	Solenoid valve and coil kit, for remote unit	\$316	6#
SVC-L	Solenoid valve and coil kit with factory installation, for remote unit	\$668	6#

\*NOTE: CP1RB coolers are manufactured to order and are not returnable.

### Select Configurable Options:

#### VOLTAGE

120V/60HZ	No charge
220V/50HZ (export voltage)	\$156

#### TEMPERATURE

Beer / Food, 34° to 40°, standard	No charge
White wine, 50° to 55°	No charge
Red wine, 60° to 65°	No charge

#### EXPANSION VALVE TYPE

R448A or R449A	No charge
R134a or R513A	No charge
R404A or R452A	No charge
R407A or R407F	No charge

#### REFRIGERATION HOOK-UP LOCATION

Left	No charge
Right	No charge

#### DOOR OPTIONS

NOTE: Select options for EACH Door Section

#### STYLE AND FINISH - PER DOOR

Door - Black vinyl-clad	No charge
Door - Unlaminated	No charge
Door - Stainless steel	\$48
Door - Jeweled stainless	\$252
Door - Laminated	\$288
Door - Glass, black vinyl-clad	\$559
Door - Glass, stainless steel	\$607
Door - Glass, jeweled stainless	\$811
Door - Glass, laminated	\$847

#### DOOR HINGE LOCATION - PER DOOR

Left	No charge
Right	No charge

#### DOOR HANDLE - PER DOOR

Signature handle	No charge
Pull-tab handle - stainless or black to match door; black for laminate	No charge
Tube handle	No charge

#### TOP STYLE

	<u>24"</u>	<u>40"</u>	<u>48"</u>	<u>60"</u>	<u>72"</u>
No finished top	No charge				
Stainless top	\$495	\$629	\$694	\$793	\$894

#### LEFT SIDE FINISH

Black vinyl-clad	No charge
Stainless Steel	\$48

#### RIGHT SIDE FINISH

Black vinyl-clad	No charge
Stainless Steel	\$48

#### LED LIGHTING STYLE

Bright white (7,000k), standard	No charge
Warm white (3,500k)	No charge
Amber (2,700k)	No charge
Blue	No charge

#### LEG AND STAINLESS STEEL KICK RAILS

NOTE: Legs are required if kick rails are ordered.

	<u>24"</u>	<u>40"</u>	<u>48"</u>	<u>60"</u>	<u>72"</u>
6" legs	\$204	\$204	\$204	\$305	\$305
Front kick rail	\$127	\$145	\$158	\$173	\$190
Back kick rail	\$127	\$145	\$158	\$173	\$190
Left side kick rail	\$127	\$127	\$127	\$127	\$127
Right side kick rail	\$127	\$127	\$127	\$127	\$127



Signature handle



Pull-tab handle



Tube handle

Bar Refrigeration



CP1FL84 with compressor left, stainless doors and top

**COOLERS - PASS-THRU, ONE ZONE, FRONT SERVICED, LOW PROFILE\***

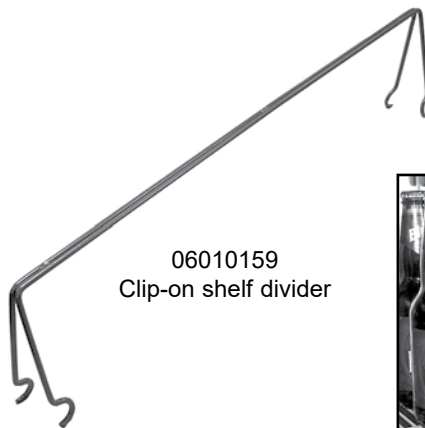
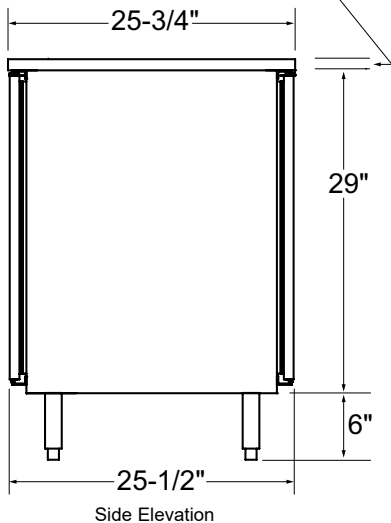
MODEL	LIST	LENGTH	DOOR		WEIGHT	AMPS	HP	LONGNECK CASES	750ML WINE BOTTLES
			DOORS	OPENING					
CP1FL32*	\$9,099	32"	2	16" W	315#	3.0	1/8	4.4	35
CP1FL36*	\$9,194	36"	2	20" W	320#	3.0	1/8	5.8	42
CP1FL52*	\$11,921	52"	4	16" W	425#	7.0	1/4	9.7	66
CP1FL60*	\$12,178	60"	4	20" W	435#	7.0	1/4	12.7	90
CP1FL72*	\$15,560	72"	6	16" W	565#	7.0	1/4	15.4	106
CP1FL84*	\$15,897	84"	6	20" W	580#	7.0	1/4	19.9	137

Base price only. See next page for configurable options.

\*NOTE: CPIFL units are manufactured to order and are not returnable.

Bar Refrigeration

ADD 1" TO HEIGHT FOR FACTORY INSTALLED TOP



06010159  
Clip-on shelf divider



**PRODUCT INFORMATION**

(see CPIFL Spec Sheet for complete details)

**STANDARD FEATURES:**

- Self-contained
- All stainless steel interior construction
- Two adjustable coated shelves per section
- Listed to NSF Standard 7 for open food as a storage refrigerator

**ACCESSORIES**

MODEL	DESCRIPTION	LIST
CWS-16P	Wine rack shelf for 16" door opening, 5 bottle	\$196
CWS-20P	Wine rack shelf for 20" door opening, 7 bottle	\$223
06010159	Clip-on shelf divider	\$48

\*NOTE: CP1FL units are manufactured to order and are not returnable.

### Select Configurable Options:

#### VOLTAGE

120V/60HZ	No charge
220V/50HZ (export voltage)	\$307

#### TEMPERATURE

Beer / Food, 34° to 40°, standard	No charge
White wine, 50° to 55°	No charge
Red wine, 60° to 65°	No charge

#### REFRIGERATION COMPARTMENT LOCATION

Left	No charge
Right	No charge

#### REFRIGERATION COMPARTMENT COVER FINISH

NOTE: Specify and add for both the front and the back

Black vinyl-clad	No charge
Unlaminated	No charge
Stainless steel	\$39
Jeweled stainless steel	\$232
Laminated	\$270

#### DOOR OPTIONS

NOTE: Select options for EACH Door Section

#### STYLE AND FINISH - PER SECTION

Door - Black vinyl-clad	No charge
Door - Unlaminated	No charge
Door - Stainless steel	\$48
Door - Jeweled stainless	\$252
Door - Laminated	\$288
Door - Glass, black vinyl-clad	\$559
Door - Glass, stainless steel	\$607
Door - Glass, jeweled stainless	\$811
Door - Glass, laminated	\$847

#### DOOR HINGE LOCATION - PER DOOR

Left	No charge
Right	No charge

#### DOOR HANDLE - PER DOOR

Signature handle	No charge
Pull-tab handle - stainless or black to match door; black for laminate	No charge
Tube handle	No charge

#### TOP STYLE

	32"	36"	52"	60"	72"	84"
No finished top	No charge					
Stainless top	\$562	\$595	\$728	\$793	\$894	\$991

#### LEFT SIDE FINISH

Black vinyl-clad	No charge
Stainless Steel	\$48

#### RIGHT SIDE FINISH

Black vinyl-clad	No charge
Stainless Steel	\$48

#### LED LIGHTING STYLE

Bright white (7,000k), standard	No charge
Warm white (3,500k)	No charge
Amber (2,700k)	No charge
Blue	No charge

#### LEG AND STAINLESS STEEL KICK RAILS

NOTE: Legs are required if kick rails are ordered.

	32"	36"	52"	60"	72"	84"
6" legs	\$253	\$253	\$204	\$204	\$305	\$305
Front kick rail	\$137	\$142	\$162	\$173	\$190	\$204
Back kick rail	\$137	\$142	\$162	\$173	\$190	\$204
Left side kick rail	\$127	\$127	\$127	\$127	\$127	\$127
Right side kick rail	\$127	\$127	\$127	\$127	\$127	\$127

#### CASTERS

	32"	36"	52"	60"	72"	84"
4-1/8" casters	\$223	\$223	\$182	\$182	\$275	\$275
2-7/8" casters	\$220	\$220	\$176	\$176	\$264	\$264
1-1/2" casters	\$387	\$387	\$310	\$310	\$464	\$464



Signature handle



Pull-tab handle



Tube handle

Bar Refrigeration



CP1RL72 with refrigeration hook up left, stainless doors and top

**PRODUCT INFORMATION**

(see CP1RL Spec Sheet for complete details)

**STANDARD FEATURES:**

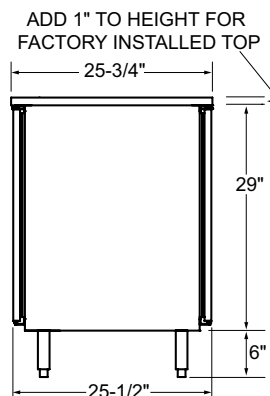
- Remote unit
- All stainless steel interior construction
- Two adjustable coated shelves per section
- Listed to NSF Standard 7 for open food as a storage refrigerator

**COOLERS - PASS-THRU, ONE ZONE, REMOTE, LOW PROFILE\***

MODEL	LIST	LENGTH	DOOR			BTU /HR	LONGNECK	750MLWINE
			DOORS	OPENING	WEIGHT		CASES	BOTTLES**
CP1RL24*	\$6,534	24"	2	20"	220#	850	4.7	42
CP1RL40*	\$8,168	40"	4	16"	350#	1,600	8.2	66
CP1RL48*	\$8,345	48"	4	20"	355#	1,600	11.8	90
CP1RL60*	\$11,655	60"	6	16"	485#	2,000	13.8	106
CP1RL72*	\$11,906	72"	6	20"	495#	2,000	18.3	137

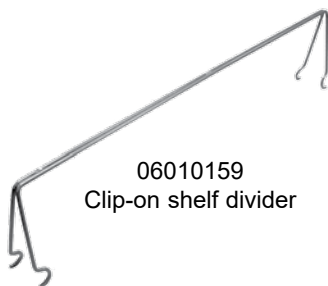
Base price only. See next page for configurable options.

\*NOTE:  
CP1RL coolers are manufactured to order and are not returnable.



Side Elevation

Bar Refrigeration



06010159  
Clip-on shelf divider

**ACCESSORIES**

MODEL	DESCRIPTION	LIST
CWS-16P	Wine rack shelf for 16" door opening, 5 bottle	\$196
CWS-20P	Wine rack shelf for 20" door opening, 7 bottle	\$223
06010159	Clip-on shelf divider	\$48

**ACCESSORY FOR REMOTE COOLER CABINET**

MODEL	DESCRIPTION	LIST	WT
SVC	Solenoid valve and coil kit, for remote unit	\$316	6#
SVC-L	Solenoid valve and coil kit with factory installation, for remote unit	\$668	6#

\*NOTE: CP1RL coolers are manufactured to order and are not returnable.

### Select Configurable Options:

#### VOLTAGE

120V/60HZ	No charge
220V/50HZ (export voltage)	\$156

#### TEMPERATURE

Beer / Food, 34° to 40°, standard	No charge
White wine, 50° to 55°	No charge
Red wine, 60° to 65°	No charge

#### EXPANSION VALVE TYPE

R448A or R449A	No charge
R134a or R513A	No charge
R404A or R452A	No charge
R407A or R407F	No charge

#### REFRIGERATION HOOK-UP LOCATION

Left	No charge
Right	No charge

#### DOOR OPTIONS

NOTE: Select options for EACH Door Section

#### STYLE AND FINISH - PER DOOR

Door - Black vinyl-clad	No charge
Door - Unlaminated	No charge
Door - Stainless steel	\$48
Door - Jeweled stainless	\$252
Door - Laminated	\$288
Door - Glass, black vinyl-clad	\$559
Door - Glass, stainless steel	\$607
Door - Glass, jeweled stainless	\$811
Door - Glass, laminated	\$847

#### DOOR HINGE LOCATION - PER DOOR

Left	No charge
Right	No charge

#### DOOR HANDLE - PER DOOR

Signature handle	No charge
Pull-tab handle - stainless or black to match door; black for laminate	No charge
Tube handle	No charge

#### TOP STYLE

	<u>24"</u>	<u>40"</u>	<u>48"</u>	<u>60"</u>	<u>72"</u>
No finished top	No charge				
Stainless top	\$495	\$629	\$694	\$793	\$894

#### LEFT SIDE FINISH

Black vinyl-clad	No charge
Stainless Steel	\$48

#### RIGHT SIDE FINISH

Black vinyl-clad	No charge
Stainless Steel	\$48

#### LED LIGHTING STYLE

Bright white (7,000k), standard	No charge
Warm white (3,500k)	No charge
Amber (2,700k)	No charge
Blue	No charge

#### LEG AND STAINLESS STEEL KICK RAILS

NOTE: Legs are required if kick rails are ordered.

	<u>24"</u>	<u>40"</u>	<u>48"</u>	<u>60"</u>	<u>72"</u>
6" legs	\$204	\$204	\$204	\$305	\$305
Front kick rail	\$127	\$145	\$158	\$173	\$190
Back kick rail	\$127	\$145	\$158	\$173	\$190
Left side kick rail	\$127	\$127	\$127	\$127	\$127
Right side kick rail	\$127	\$127	\$127	\$127	\$127



Signature handle



Pull-tab handle



Tube handle

Bar Refrigeration

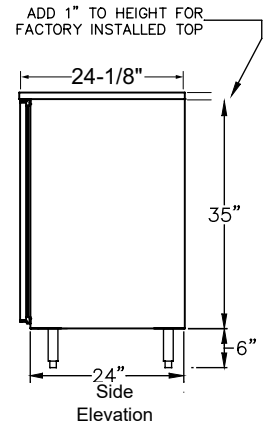


**PRODUCT INFORMATION**  
(see F1FB Spec Sheet for complete details)

**STANDARD FEATURES:**

- Self-contained
- All stainless steel interior construction
- Models with door include three coated adjustable shelves
- Listed to NSF Standard 7

F1FB36 with compressor left and stainless steel door and top



\*NOTE: F1FB units are manufactured to order and are not returnable.

**FROSTERS - ONE ZONE, FRONT SERVICED, BAR PROFILE**

MODEL	LIST	LENGTH	DOOR				AMPS	HP	10 Oz.	6" High
			DOORS	OPENING	WEIGHT	MUGS			PINTGLASSES	
F1FB32	\$7,668	32"	1	16" W	235#	6.5	1/3	120	96	
F1FB36	\$7,754	36"	1	20" W	250#	6.5	1/3	168	120	

Base price only. See next page for configurable options.

Bar Refrigeration



DIP-18 shown  
Pans not included

**ACCESSORIES**

MODEL	DESCRIPTION	LIST
DIP-20	Drawer insert for fractional stainless pans, 20" door opening (pans not included)	\$287



Capable of storing specialty cocktail ice

\*NOTE: F1FB units are manufactured to order and are not returnable.

### Select Configurable Options:

VOLTAGE	
120V/60HZ	No charge
220V/50HZ (export voltage)	\$307

REFRIGERATION COMPARTMENT LOCATION	
Left	No charge
Right	No charge

REFRIGERATION COMPARTMENT COVER FINISH	
Black vinyl-clad	No charge
Unlaminated	No charge
Stainless steel	\$39
Jeweled stainless steel	\$232
Laminated	\$270

**DOOR/DRAWER OPTIONS**  
NOTE: Select options for EACH Door/Drawer Section

STYLE AND FINISH - PER SECTION	
Door - Black vinyl-clad	No charge
Door - Unlaminated	No charge
Door - Stainless steel	\$48
Door - Jeweled stainless	\$252
Door - Laminated	\$288
Door - Glass, black vinyl-clad	\$734
Door - Glass, stainless steel	\$782
Door - Glass, jeweled stainless	\$986
Door - Glass, laminated	\$1,022
Drawers - Black vinyl-clad	\$2,381
Drawers - Unlaminated	\$2,381
Drawers - Stainless steel	\$2,429
Drawers - Jeweled stainless	\$2,633
Drawers - Laminated	\$2,669

DOOR HINGE LOCATION - PER DOOR	
Left	No charge
Right	No charge

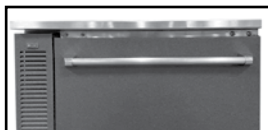
DOOR HANDLE - PER DOOR/DRAWER	
Signature handle (doors only)	No charge
Pull-tab handle - stainless or black to match door; black for laminate	No charge
Tube handle	No charge



Optional drawers include adjustable divider walls



Drawer pull-tab handle



Drawer tube handle

TOP STYLE		
	32"	36"
No finished top		No charge
Stainless top	\$493	\$519

LEFT SIDE FINISH	
Black vinyl-clad	No charge
Stainless Steel	\$48

RIGHT SIDE FINISH	
Black vinyl-clad	No charge
Stainless Steel	\$48

BACK FINISH		
	32"	36"
Galvanized steel		No charge
Stainless steel*	\$392	\$404

\*NOTE: Stainless steel back option also includes stainless steel sides.

LED LIGHTING STYLE	
Bright white (7,000k), standard	No charge
Warm white (3,500k)	No charge
Amber (2,700k)	No charge
Blue	No charge

LEG AND STAINLESS STEEL KICK RAILS		
NOTE: Legs are required if kick rails are ordered.		
	32"	36"
6" legs	\$253	\$253
Front kick rail	\$137	\$142
Left side kick rail	\$127	\$127
Right side kick rail	\$127	\$127

CASTERS		
	32"	36"
4-1/8" casters	\$223	\$223
2-7/8" casters	\$220	\$220
1-1/2" casters	\$387	\$387



Signature handle



Pull-tab handle



Tube handle

Bar Refrigeration



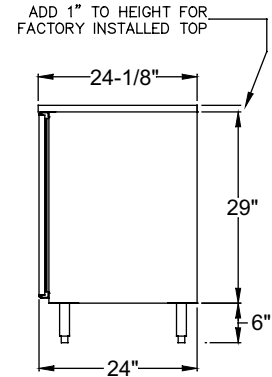
F1FL36 with compressor left and stainless steel door and top

**PRODUCT INFORMATION**

(see F1FL Spec Sheet for complete details)

**STANDARD FEATURES:**

- Self-contained
- All stainless steel interior construction
- Includes three adjustable coated shelves
- Listed to NSF Standard 7



Side Elevation

\*NOTE: F1FL units are manufactured to order and are not returnable.

Bar Refrigeration

**FROSTERS - ONE ZONE, FRONT SERVICED, LOW PROFILE**

MODEL	LIST	LENGTH	DOORS	DOOR OPENING	WEIGHT	AMPS	HP	10 Oz. MUGS	6" HIGH PINTGLASSES
F1FL32	\$7,451	32"	1	16" W	240#	6.5	1/3	90	72
F1FL36	\$7,534	36"	1	20" W	250#	6.5	1/3	126	90

Base price only. See next page for configurable options.



Capable of storing specialty cocktail ice

\*NOTE: FIFL units are manufactured to order and are not returnable.

## Select Configurable Options:

### VOLTAGE

120V/60HZ	No charge
220V/50HZ (export voltage)	\$307

### REFRIGERATION COMPARTMENT LOCATION

Left	No charge
Right	No charge

### REFRIGERATION COMPARTMENT COVER FINISH

Black vinyl-clad	No charge
Unlaminated	No charge
Stainless steel	\$39
Jeweled stainless steel	\$232
Laminated	\$270

### DOOR OPTIONS

#### STYLE AND FINISH

Door - Black vinyl-clad	No charge
Door - Unlaminated	No charge
Door - Stainless steel	\$48
Door - Jeweled stainless	\$252
Door - Laminated	\$288
Door - Glass, black vinyl-clad	\$734
Door - Glass, stainless steel	\$782
Door - Glass, jeweled stainless	\$966
Door - Glass, laminated	\$1,022

#### DOOR HINGE LOCATION

Left	No charge
Right	No charge

#### DOOR HANDLE

Signature handle	No charge
Pull-tab handle - stainless or black to match door; black for laminate	No charge
Tube handle	No charge

### TOP STYLE

	32"	36"
No finished top	No charge	
Stainless top	\$493	\$519
Drainboard top	\$819	\$869

### 4" HIGH STAINLESS SPLASHES

	32"	36"
NOTE: Can only be ordered with stainless steel top		
Backsplash	\$174	\$186
Left side splash	\$161	\$161
Right side splash	\$161	\$161

### LEFT SIDE FINISH

Black vinyl-clad	No charge
Stainless Steel	\$48

### RIGHT SIDE FINISH

Black vinyl-clad	No charge
Stainless Steel	\$48

### BACK FINISH

	32"	36"
Galvanized steel	No charge	
Stainless steel*	\$392	\$404

\*NOTE: Stainless steel back option also includes stainless steel sides.

### LED LIGHTING STYLE

Bright white (7,000k), standard	No charge
Warm white (3,500k)	No charge
Amber (2,700k)	No charge
Blue	No charge

### LEG AND STAINLESS STEEL KICK RAILS

NOTE: Legs are required if kick rails are ordered.

	32"	36"
6" legs	\$253	\$253
Front kick rail	\$137	\$142
Left side kick rail	\$127	\$127
Right side kick rail	\$127	\$127

### CASTERS

	32"	36"
4-1/8" casters	\$223	\$223
2-7/8" casters	\$220	\$220
1-1/2" casters	\$387	\$387



Tube handle



Signature handle



Pull-tab handle

Bar Refrigeration

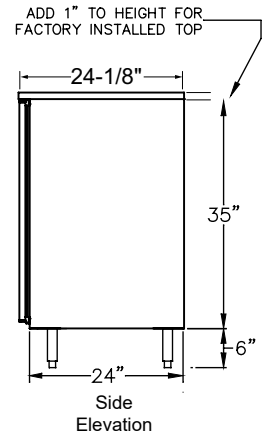


**PRODUCT INFORMATION**  
(see F1SB Spec Sheet for complete details)

**STANDARD FEATURES:**

- Self-contained
- All stainless steel interior construction
- Models with doors include three adjustable coated shelves per door
- Listed to NSF Standard 7

F1SB48 with compressor left, stainless steel doors and top



\*NOTE: F1SB28, F1SB36, and F1SB44 frosters and all units with drawers are manufactured to order and are not returnable.

**FROSTERS - ONE ZONE, SIDE SERVICED, BAR PROFILE**

MODEL	LIST	LENGTH	DOORS	DOOR OPENING	WEIGHT	AMPS	HP	10 Oz. MUGS	6" HIGH PINT GLASSES
F1SB24	\$7,142	24"	1	17.5" W	200#	5.0	1/3	132	97
F1SB28*	\$7,477	28"	1	20" W	220#	5.0	1/3	160	100
F1SB36*	\$9,780	36"	2	12" W	255#	5.0	1/3	223	155
F1SB44*	\$10,284	44"	2	16" W	280#	5.0	1/3	299	200
F1SB48	\$10,543	48"	2	18" W	300#	5.0	1/3	339	214

Base price only. See below for configurable options.

Bar Refrigeration

**ACCESSORIES**

MODEL	DESCRIPTION	LIST
DIP-17	Drawer insert for fractional stainless pans, 17.5" door opening (pans not included)	\$258
DIP-18	Drawer insert for fractional stainless pans, 18" door opening (pans not included)	\$264
DIP-20	Drawer insert for fractional stainless pans, 20" door opening (pans not included)	\$287



DIP-18  
Pans not included



Capable of storing specialty cocktail ice

\*NOTE: F1SB28, F1SB36, and F1SB44 frosters and all units with drawers are manufactured to order and are not returnable.

## Select Configurable Options:

VOLTAGE	
120V/60HZ	No charge
220V/50HZ (export voltage)	\$307

REFRIGERATION COMPARTMENT LOCATION	
Left	No charge
Right	No charge

REFRIGERATION COMPARTMENT COVER FINISH	
Black vinyl-clad	No charge
Stainless steel	\$39
Jeweled stainless steel	\$232

### DOOR/DRAWER OPTIONS

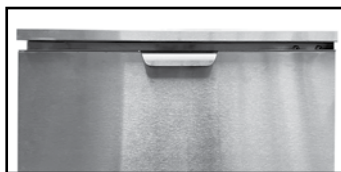
NOTE: Select options for EACH Door/Drawer Section

STYLE AND FINISH - PER SECTION	
Door - Black vinyl-clad	No charge
Door - Unlaminated	No charge
Door - Stainless steel	\$48
Door - Jeweled stainless	\$252
Door - Laminated	\$288
Door - Glass, black vinyl-clad	\$734
Door - Glass, stainless steel	\$782
Door - Glass, jeweled stainless	\$986
Door - Glass, laminated	\$1,022
Drawers* - Black vinyl-clad	\$2,381
Drawers* - Unlaminated	\$2,381
Drawers* - Stainless steel	\$2,429
Drawers* - Jeweled stainless	\$2,633
Drawers* - Laminated	\$2,669

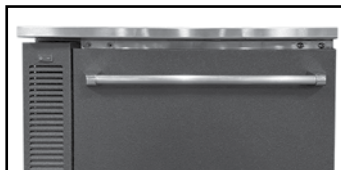
\*NOTE: Units with drawers are manufactured to order and are not returnable.

DOOR HINGE LOCATION - PER DOOR	
Left	No charge
Right	No charge

DOOR HANDLE - PER DOOR/DRAWER	
Signature handle (doors only)	No charge
Pull-tab handle - stainless or black to match door; black for laminate	No charge
Tube handle	No charge



Drawer pull-tab handle



Drawer tube handle



Optional drawers include adjustable divider walls

TOP STYLE					
	24"	28"	36"	44"	48"
No finished top			No charge		
Stainless top	\$440	\$465	\$519	\$575	\$601

LEFT SIDE FINISH	
Black vinyl-clad	No charge
Stainless Steel	\$48

RIGHT SIDE FINISH	
Black vinyl-clad	No charge
Stainless Steel	\$48

BACK FINISH					
	24"	28"	36"	44"	48"
Galvanized steel			No charge		
Stainless steel*	\$365	\$377	\$404	\$431	\$446

\*NOTE: Stainless steel back option also includes stainless steel sides.

LED LIGHTING STYLE	
Bright white (7,000k), standard	No charge
Warm white (3,500k)	No charge
Amber (2,700k)	No charge
Blue	No charge

LEG AND STAINLESS STEEL KICK RAILS					
NOTE: Legs are required if kick rails are ordered.					
	24"	28"	36"	44"	48"
6" legs	\$204	\$204	\$204	\$204	\$204
Front kick rail	\$127	\$133	\$142	\$153	\$158
Left side kick rail	\$127	\$127	\$127	\$127	\$127
Right side kick rail	\$127	\$127	\$127	\$127	\$127

CASTERS					
	24"	28"	36"	44"	48"
4-1/8" casters	\$182	\$182	\$182	\$182	\$182
2-7/8" casters	\$176	\$176	\$176	\$176	\$176
1-1/2" casters	\$310	\$310	\$310	\$310	\$310



Signature handle



Pull-tab handle



Tube handle

Bar Refrigeration



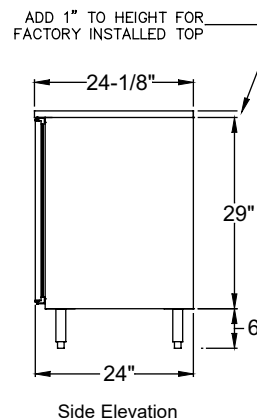
F1SL24 with compressor left, stainless door and top

**PRODUCT INFORMATION**

(see F1SL Spec Sheet for complete details)

**STANDARD FEATURES:**

- Self-contained
- All stainless steel interior construction
- Models with doors include three adjustable coated shelves per door
- Listed to NSF Standard 7



\*NOTE: F1SL units are manufactured to order and are not returnable.

**FROSTERS - ONE ZONE, SIDE SERVICED, LOW PROFILE\***

MODEL	LIST	LENGTH	DOORS	DOOR				10 Oz.	6" High
				OPENING	WEIGHT	AMPS	HP	MUGS	PINTGLASSES
F1SL24	\$7,089	24"	1	17.5" W	180#	5.0	1/3	101	72
F1SL28	\$7,314	28"	1	20" W	195#	5.0	1/3	123	75
F1SL36	\$9,410	36"	2	12" W	230#	5.0	1/3	171	115
F1SL44	\$9,859	44"	2	16" W	255#	5.0	1/3	231	151
F1SL48	\$10,093	48"	2	18" W	280#	5.0	1/3	261	169

Base price only. See below for configurable options.

**ACCESSORIES**

MODEL	DESCRIPTION	LIST
DIP-17	Drawer insert for fractional stainless pans, 17.5" door opening (pans not included)	\$258
DIP-18	Drawer insert for fractional stainless pans, 18" door opening (pans not included)	\$264
DIP-20	Drawer insert for fractional stainless pans, 20" door opening (pans not included)	\$287



DIP-18  
Pans not included



Capable of storing specialty cocktail ice

Bar Refrigeration

\*NOTE: F1SL units are manufactured to order and are not returnable.

### Select Configurable Options:

#### VOLTAGE

120V/60HZ	No charge
220V/50HZ (export voltage)	\$307

#### REFRIGERATION COMPARTMENT LOCATION

Left	No charge
Right	No charge

#### REFRIGERATION COMPARTMENT COVER FINISH

Black vinyl-clad	No charge
Stainless steel	\$39
Jeweled stainless steel	\$232

#### DOOR/DRAWER OPTIONS

NOTE: Select options for EACH Door/Drawer Section

##### STYLE AND FINISH - PER SECTION

Door - Black vinyl-clad	No charge
Door - Unlaminated	No charge
Door - Stainless steel	\$48
Door - Jeweled stainless	\$252
Door - Laminated	\$288
Door - Glass, black vinyl-clad	\$734
Door - Glass, stainless steel	\$782
Door - Glass, jeweled stainless	\$986
Door - Glass, laminated	\$1,022
Drawers - Black vinyl-clad	\$2,381
Drawers - Unlaminated	\$2,381
Drawers - Stainless steel	\$2,429
Drawers - Jeweled stainless	\$2,633
Drawers - Laminated	\$2,669

##### DOOR HINGE LOCATION - PER DOOR

Left	No charge
Right	No charge

##### DOOR HANDLE - PER DOOR/DRAWER

Signature handle (doors only)	No charge
Pull-tab handle - stainless or black to match door; black for laminate	No charge
Tube handle	No charge

#### TOP STYLE

	24"	28"	36"	44"	48"
No finished top	No charge				
Stainless top	\$440	\$465	\$519	\$575	\$601
Drainboard top	\$725	\$772	\$869	\$962	\$1,011

#### 4" HIGH STAINLESS SPLASHES

	24"	28"	36"	44"	48"
NOTE: Can only be ordered with stainless steel top					
Backsplash	\$161	\$170	\$186	\$200	\$206
Left side splash	\$161	\$161	\$161	\$161	\$161
Right side splash	\$161	\$161	\$161	\$161	\$161

#### LEFT SIDE FINISH

Black vinyl-clad	No charge
Stainless Steel	\$48

#### RIGHT SIDE FINISH

Black vinyl-clad	No charge
Stainless Steel	\$48

#### BACK FINISH

	24"	28"	36"	44"	48"
Galvanized steel	No charge				
Stainless steel*	\$365	\$377	\$404	\$431	\$446

\*NOTE: Stainless steel back option also includes stainless steel sides.

#### LED LIGHTING STYLE

Bright white (7,000k), standard	No charge
Warm white (3,500k)	No charge
Amber (2,700k)	No charge
Blue	No charge

#### LEG AND STAINLESS STEEL KICK RAILS

NOTE: Legs are required if kick rails are ordered.

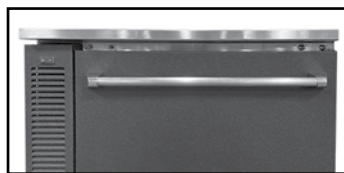
	24"	28"	36"	44"	48"
6" legs	\$204	\$204	\$204	\$204	\$204
Front kick rail	\$127	\$133	\$142	\$153	\$158
Left side kick rail	\$127	\$127	\$127	\$127	\$127
Right side kick rail	\$127	\$127	\$127	\$127	\$127

#### CASTERS

	24"	28"	36"	44"	48"
4-1/8" casters	\$182	\$182	\$182	\$182	\$182
2-7/8" casters	\$176	\$176	\$176	\$176	\$176
1-1/2" casters	\$310	\$310	\$310	\$310	\$310



Drawer pull-tab handle



Drawer tube handle



Optional drawers include adjustable divider walls



Signature handle

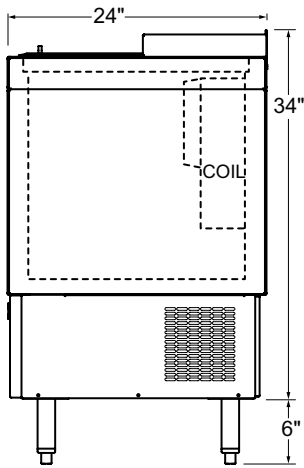


Pull tab handle



Tube handle

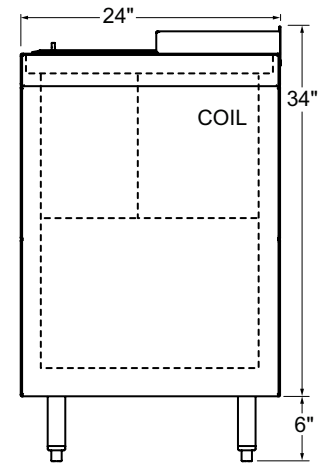
Bar Refrigeration



ST24  
Side Elevation



ST48-S



ST36, ST48, ST60, ST72, ST96  
Side Elevation

## SLIDE TOP COOLERS

BLACK VINYL-CLAD EXTERIOR		STAINLESS STEEL EXTERIOR		LENGTH	DIVIDER RACKS	CASE CAP. BOTTLES	WGT
MODEL	LIST	MODEL	LIST				
ST24-B	\$5,575	ST24-S	\$5,850	24"	1	6.0	180#
ST36-B	\$6,437	ST36-S	\$6,733	36"	2	9.4	230#
ST48-B	\$8,208	ST48-S	\$8,520	48"	3	13.8	270#
ST60-B	\$9,343	ST60-S	\$9,671	60"	3	19.9	320#
ST72-B	\$10,559	ST72-S	\$10,913	72"	4	25.4	350#
ST96-B*	\$12,714	ST96-S*	\$13,103	96"	5	34.4	450#

\*NOTE: These model Slide Top Coolers are manufactured to order and are not returnable

### PRODUCT INFORMATION (see ST Spec Sheet for complete details)

#### STANDARD FEATURES:

- Self-contained refrigeration
- All stainless steel interior with radius corners is easy to keep clean
- Easy to plan exterior dimensions: 24" front to back and 24", 36", 48", 60", 72", or 96" left to right
- Foamed-in-place insulation
- Six-foot grounded cord and plug provided (exits at rear)
- Automatic defrost timer
- Door lock(s)

#### ELECTRICAL:

- Dedicated 15 amp circuit is required
- 120V, 1 phase, 60 Hz, 4.5 full load amps
- Includes 9-foot grounded cord

#### REFRIGERATION:

- 1/6 HP, R290 refrigerant

#### PLUMBING:

Automatic condensate evaporator. No drain connection required.

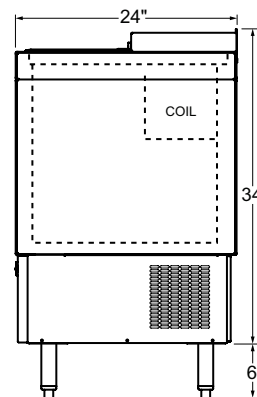
## ACCESSORIES

MODEL	DESCRIPTION	LIST	WT	MODEL	DESCRIPTION	LIST	WT
C-4X4-1/8	4-1/8"H caster, set of four (ST24, ST36, ST48, ST60)	\$182	4#	STKR-60	60" kick rail	\$173	5#
C-6X4-1/8	4-1/8"H caster, set of six (ST72, ST96)	\$275	6#	STKR-72	72" kick rail	\$190	6#
C-4X2-7/8	2-7/8"H caster, set of four (ST24, ST36, ST48, ST60)	\$176	4#	STKR-96	96" kick rail	\$220	9#
C-6X2-7/8	2-1/2"H caster, set of six (ST72, ST96)	\$264	8#	STBS-24	24" slide top backsplash	\$161	4#
C-4X1	1-1/2"H caster, set of four (ST24, ST36, ST48, ST60)	\$310	2#	STBS-36	36" slide top backsplash	\$186	6#
C-6X1	1-1/2"H caster, set of six (ST72, ST96)	\$464	2#	STBS-48	48" slide top backsplash	\$206	8#
LEG06X4	Legs (set of 4), 6" (ST24, ST36, 48, 60)	\$204	5#	STBS-60	60" slide top backsplash	\$231	10#
LEG06X6	Legs (set of 6), 6" (ST72, 96)	\$305	7#	STBS-72	72" slide top backsplash	\$257	12#
BO/CC	Bottle opener/cap catcher	\$102	5#	STBS-96	96" slide top backsplash	\$304	16#
STKR-24	24" kick rail	\$127	2#	08000512	Chrome divider rack (extra) for ST36, 48, 60, 72, and 96	\$98	4#
STKR-36	36" kick rail	\$142	3#	08000519	Stainless steel divider wall (extra) for ST24	\$134	5#
STKR-48	48" kick rail	\$158	4#	CE-220/50S	Convert self-contained unit to 220V/50Hz electrical	\$307	N/A

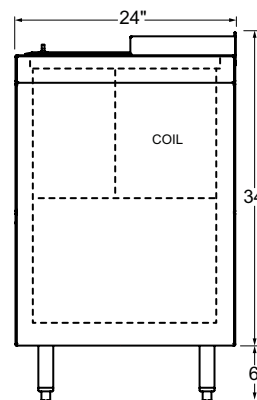


MF48-S2

NOTE: Units come standard with bottom rack, which is recommended for chilling stacked plates. Two additional layers of shelves are optional, which is recommended for chilling glassware.



MF24  
Side Elevation



MF36, MF48  
Side Elevation

**24" MODELS**

BLACK VINYL-CLAD EXTERIOR		STAINLESS STEEL EXTERIOR		NUMBER OF SHELVES	WGT
MODEL	LIST	MODEL	LIST		
MF24-B	\$6,580	MF24-S	\$6,855	0	195#
MF24-B2	\$6,770	MF24-S2	\$7,044	2	205#

**36" MODELS**

BLACK VINYL-CLAD EXTERIOR		STAINLESS STEEL EXTERIOR		NUMBER OF SHELVES	WGT
MODEL	LIST	MODEL	LIST		
MF36-B	\$7,388	MF36-S	\$7,681	0	235#
MF36-B2	\$7,679	MF36-S2	\$7,973	2	255#

**48" MODELS**

BLACK VINYL-CLAD EXTERIOR		STAINLESS STEEL EXTERIOR		NUMBER OF SHELVES	WGT
MODEL	LIST	MODEL	LIST		
MF48-B	\$8,334	MF48-S	\$8,649	0	280#
MF48-B2	\$8,733	MF48-S2	\$9,046	2	300#

**ACCESSORIES**

MODEL	DESCRIPTION	LIST	WT
C-4X4-1/8	4-1/8"H caster, set of four	\$182	4#
C-4X2-7/8	2-7/8"H caster, set of four	\$176	4#
C-4X1	1-1/2"H caster, set of four	\$310	2#
LEG06X4	Legs (set of 4), 6" (MF36, 48)	\$204	5#
MFKR-24	24" kick rail	\$127	2#
MFKR-36	36" kick rail	\$142	3#
MFKR-48	48" kick rail	\$158	4#
SSR-24	24" single speed rail	\$318	7#
SSR-36	36" single speed rail	\$369	12#
SSR-48	48" single speed rail	\$424	22#
MFBS-24	24" backsplash	\$161	4#
MFBS-36	36" backsplash	\$186	6#
MFBS-48	48" backsplash	\$206	8#
CE-220/50S	Convert self-contained unit to 220V/50Hz electrical	\$307	N/A

**PRODUCT INFORMATION**

(see MF Spec Sheet for complete details)

**STANDARD FEATURES:** All stainless steel interior construction  
 • Units come standard with bottom rack, which is recommended for chilling stacked plates. Two additional layers of shelves are optional, which is recommended for chilling glassware. • Two Defrost Cycles: *Automatic* - occurs every eight hours without affecting normal operation, *Manual* - user initiated button for complete six-hour defrost with automatic restart

**ELECTRICAL:** 120V, 1 phase, 60 Hz, 6.0 full load amps. Includes 9-foot grounded cord.

**REFRIGERATION:** 1/3 HP, R290 refrigerant, operating range: 12°F to 35°F

**PLUMBING:** No drain connection required

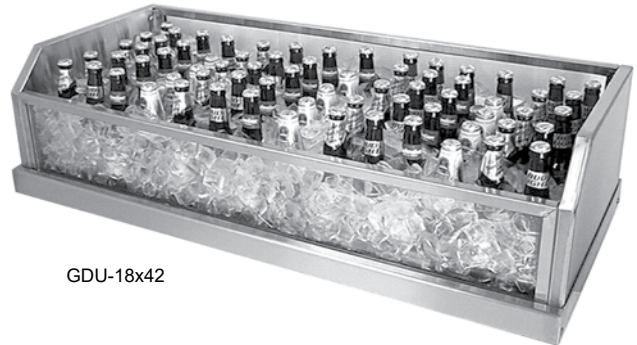
**CAPACITY:** Pint glasses - 24" Model = 55♦, 36" Model = 87♦, 48" Model = 147♦

♦ Based on models with two additional layers of shelves and filled with 3-1/2" diameter by 5-7/8" high pint glasses

Bar Refrigeration

**12" DEEP GLASS ICE DISPLAY UNITS**

MODEL	LIST	WEIGHT	LENGTH
GDU-12X24	\$2,382	60#	24"
GDU-12X30	\$2,493	65#	30"
GDU-12X36	\$2,601	70#	36"
GDU-12X42	\$2,713	75#	42"
GDU-12X48	\$2,820	80#	48"
GDU-12X54	\$2,930	85#	54"
GDU-12X60	\$4,020	90#	60"
GDU-12X66	\$4,168	95#	66"
GDU-12X72	\$4,322	100#	72"
GDU-12X78	\$4,470	105#	78"
GDU-12X84	\$4,623	110#	84"
GDU-12X90	\$4,772	115#	90"
GDU-12X96	\$4,923	120#	96"
GDU-12X102	\$5,074	125#	102"
GDU-12X108	\$5,224	130#	108"



GDU-18x42

See page 128 for LLD model Lighted Liquor Displays that are specifically designed for use with Glastender Glass Ice Display Units.

**16" DEEP GLASS ICE DISPLAY UNITS**

MODEL	LIST	WEIGHT	LENGTH
GDU-16X24	\$2,638	70#	24"
GDU-16X30	\$2,749	75#	30"
GDU-16X36	\$2,860	80#	36"
GDU-16X42	\$2,969	85#	42"
GDU-16X48	\$3,080	90#	48"
GDU-16X54	\$3,190	95#	54"
GDU-16X60	\$4,276	100#	60"
GDU-16X66	\$4,429	105#	66"
GDU-16X72	\$4,577	110#	72"
GDU-16X78	\$4,729	115#	78"
GDU-16X84	\$4,877	120#	84"
GDU-16X90	\$5,027	125#	90"
GDU-16X96	\$5,178	130#	96"
GDU-16X102	\$5,329	135#	102"
GDU-16X108	\$5,479	140#	108"

**24" DEEP GLASS ICE DISPLAY UNITS**

MODEL	LIST	WEIGHT	LENGTH
GDU-24X24	\$2,894	75#	24"
GDU-24X30	\$3,005	80#	30"
GDU-24X36	\$3,115	85#	36"
GDU-24X42	\$3,226	90#	42"
GDU-24X48	\$3,334	95#	48"
GDU-24X54	\$3,446	100#	54"
GDU-24X60	\$4,526	110#	60"
GDU-24X66	\$4,677	115#	66"
GDU-24X72	\$4,828	120#	72"
GDU-24X78	\$4,979	125#	78"
GDU-24X84	\$5,128	130#	84"
GDU-24X90	\$5,280	135#	90"
GDU-24X96	\$5,430	140#	96"
GDU-24X102	\$5,580	145#	102"
GDU-24X108	\$5,732	150#	108"

**18" DEEP GLASS ICE DISPLAY UNITS**

MODEL	LIST	WEIGHT	LENGTH
GDU-18X24	\$2,638	70#	24"
GDU-18X30	\$2,749	75#	30"
GDU-18X36	\$2,860	80#	36"
GDU-18X42	\$2,969	85#	42"
GDU-18X48	\$3,080	90#	48"
GDU-18X54	\$3,190	95#	54"
GDU-18X60	\$4,276	100#	60"
GDU-18X66	\$4,429	105#	66"
GDU-18X72	\$4,577	110#	72"
GDU-18X78	\$4,729	115#	78"
GDU-18X84	\$4,877	120#	84"
GDU-18X90	\$5,027	125#	90"
GDU-18X96	\$5,178	130#	96"
GDU-18X102	\$5,329	135#	102"
GDU-18X108	\$5,479	140#	108"

**PRODUCT INFORMATION**

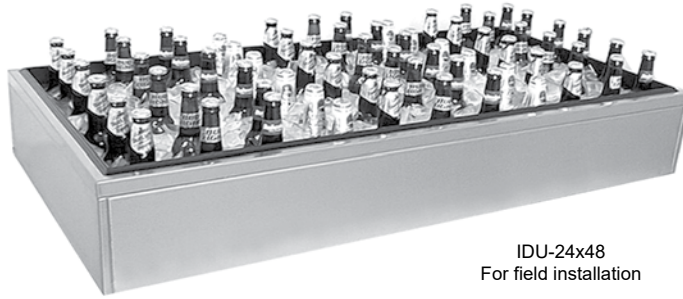
(see GDU Spec Sheet for complete details)

**STANDARD FEATURES**

- Stainless steel foamed-in-place insulated end panels (units larger than 54" include center partition)
- Stainless steel insulated drain pan to mount to existing counter top
- Double pane glass front and back panels with stainless steel trim
- Stainless steel perforated bottom inserts (1/2" tall)

**NOTE:** Glass Ice Display Units include a special insulated stainless drain pan that mounts to a countertop.

\*NOTE: Glass Ice Display Units are manufactured to order and are not returnable



IDU-24x48  
For field installation

**STANDARD FEATURES**

- All stainless steel construction
- PVC “Breaker Strip” around ice bins acts as thermal barrier to prevent heat transfer
- Foamed-in-place insulation
- Stainless steel front, back, and sides are standard; black vinyl-clad is optional
- 1/2” tall perforated stainless steel bottom inserts
- Available as factory installed on top of a cooler cabinet or as field installed on a countertop
- 7” high with 6” deep liner

**PRODUCT INFORMATION**

(see IDU Spec Sheet for complete details)

Ice display units merchandise bottled beverages and may be factory mounted to the top of most Glastender coolers.

Ice display unit may also be field installed to an existing countertop. A \$500 list deduct applies to field installed units.

**12” DEEP ICE DISPLAY UNITS**

<u>MODEL</u>	<u>LIST</u>	<u>WEIGHT</u>	<u>LENGTH</u>
IDU-12X24	\$2,139	35#	24”
IDU-12X30	\$2,287	40#	30”
IDU-12X36	\$2,441	45#	36”
IDU-12X42	\$2,591	50#	42”
IDU-12X48	\$2,739	55#	48”
IDU-12X54	\$2,892	60#	54”
IDU-12X60	\$3,041	65#	60”

**18” DEEP ICE DISPLAY UNITS**

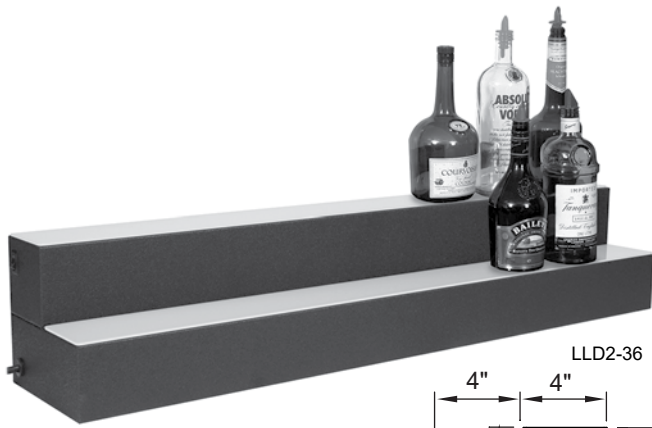
<u>MODEL</u>	<u>LIST</u>	<u>WEIGHT</u>	<u>LENGTH</u>
IDU-18X24	\$2,416	45#	24”
IDU-18X30	\$2,628	50#	30”
IDU-18X36	\$2,840	58#	36”
IDU-18X42	\$3,052	66#	42”
IDU-18X48	\$3,264	74#	48”
IDU-18X54	\$3,476	82#	54”
IDU-18X60	\$3,687	90#	60”

**24” DEEP ICE DISPLAY UNITS**

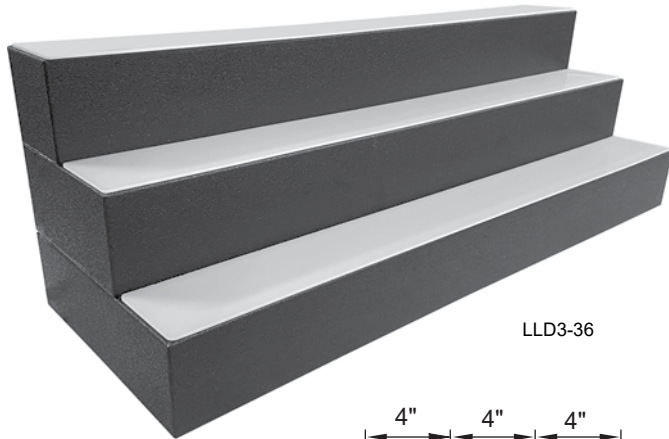
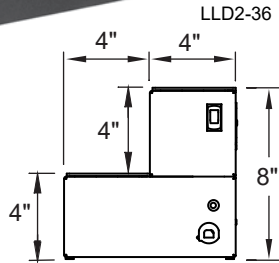
<u>MODEL</u>	<u>LIST</u>	<u>WEIGHT</u>	<u>LENGTH</u>
IDU-24X24	\$2,669	55#	24”
IDU-24X30	\$2,947	65#	30”
IDU-24X36	\$3,229	75#	36”
IDU-24X42	\$3,509	85#	42”
IDU-24X48	\$3,787	95#	48”
IDU-24X54	\$4,067	105#	54”
IDU-24X60	\$4,346	115#	60”

Bar Refrigeration

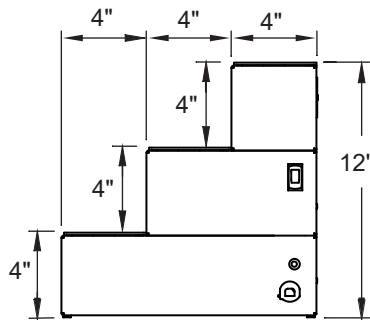
\*NOTE: Ice Display Units are manufactured to order and are not returnable



SIDE VIEW - LLD2  
(if power cord right)



SIDE VIEW - LLD3  
(if power cord right)



**TWO TIER LIGHTED LIQUOR DISPLAYS**

MODEL	LIST	LENGTH	WEIGHT
LLD2-24	\$1,068	24"	25#
LLD2-30	\$1,191	30"	29#
LLD2-36	\$1,303	36"	33#
LLD2-42	\$1,415	42"	37#
LLD2-48	\$1,536	48"	41#
LLD2-54	\$1,680	54"	45#
LLD2-60	\$1,792	60"	58#

Base price only. See below for configurable options.

**THREE TIER LIGHTED LIQUOR DISPLAYS**

MODEL	LIST	LENGTH	WEIGHT
LLD3-24	\$1,496	24"	30#
LLD3-30	\$1,684	30"	35#
LLD3-36	\$1,852	36"	40#
LLD3-42	\$2,020	42"	44#
LLD3-48	\$2,198	48"	49#
LLD3-54	\$2,420	54"	54#
LLD3-60	\$2,587	60"	70#

Base price only. See below for configurable options.

**PRODUCT INFORMATION**

(see LLD Spec Sheet for complete details)

**STANDARD FEATURES:** Provides illuminated, stepped liquor bottle storage and display • Black vinyl-clad or stainless steel exterior • On/off switch and 6-foot grounded cord and plug • Includes LED light strips • LED lighting style available as bright white, warm white, or adjustable multi-color • Opaque acrylic step cover

**ELECTRICAL:** 100-240 VAC, 1 phase, 50/60Hz, less than 2 full load amps • Includes on/off switch and 6-foot grounded cord and plug

\*NOTE: Lighted Liquor Displays are manufactured to order and are not returnable

Bar Refrigeration

**Select Configurable Options:**

**POWER CORD STYLE**

Type B - NEMA 5-15P (Default - North America)	No charge
Type F (Europe)	No charge
Type M (India)	No charge

**POWER CORD LOCATION**

Left	No charge
Right	No charge

**EXTERIOR FINISH**

Black vinyl-clad	No charge
Stainless steel	\$63

**LED LIGHTING**

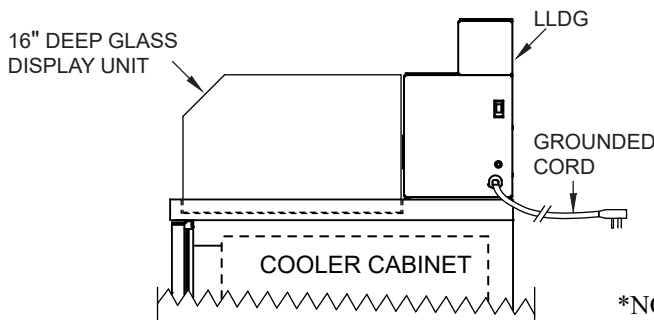
Bright white	No charge
Warm white	No charge
Adjustable multi-color	\$235



LLDG-48 shown installed with a GDU-16x48 factory mounted on cooler cabinet



LLDG-36



SIDE VIEW OF LLDG  
(with factory installed 16" deep glass ice display unit)

\*NOTE: Lighted Liquor Displays are manufactured to order and are not returnable

LLDG model Lighted Liquor Displays are specifically designed for use with Glastender Glass Ice Display Units (see page 125). When mounted on a cooler at the factory, the 16" deep GDU models have an 8-1/4" rear deck space designed to fit the 8" deep LLDG. The 9-1/4" high first step of the LLDG raises the bottles above the back of the GDU. Also, the LLDG has a front light channel to help illuminate the GDU. (See the side view detail.)

## GLASS ICE DISPLAY UNIT LIGHTED LIQUOR DISPLAYS

MODEL	LIST	LENGTH	WEIGHT
LLDG-24	\$1,578	24"	25#
LLDG-30	\$1,761	30"	29#
LLDG-36	\$1,923	36"	33#
LLDG-42	\$2,085	42"	37#
LLDG-48	\$2,259	48"	41#
LLDG-54	\$2,476	54"	45#
LLDG-60	\$2,638	60"	58#

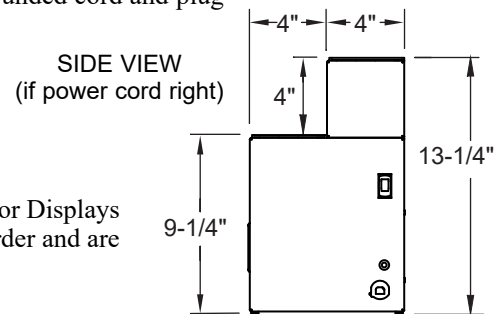
Base price only. See below for configurable options.

### PRODUCT INFORMATION

(see LLD Spec Sheet for complete details)

**STANDARD FEATURES:** Provides illuminated, stepped liquor bottle storage and display • Black vinyl-clad or stainless steel exterior • On/off switch and 6-foot grounded cord and plug • Includes LED light strips • LED lighting style available as bright white, warm white, or adjustable multi-color • Opaque acrylic step cover • 9-1/4" high first step and a front light channel for use in conjunction with Glastender Glass Ice Display Units

**ELECTRICAL:** 100-240 VAC, 1 phase, 50/60Hz, less than 2 full load amps • Includes on/off switch and 6-foot grounded cord and plug



Bar Refrigeration

## Select Configurable Options:

### POWER CORD STYLE

Type B - NEMA 5-15P (Default - North America)	No charge
Type F (Europe)	No charge
Type M (India)	No charge

### POWER CORD LOCATION

Left	No charge
Right	No charge

### LED LIGHTING

Bright white	No charge
Warm white	No charge
Adjustable multi-color	\$235

### EXTERIOR FINISH

Black vinyl-clad	No charge
Stainless steel	\$63

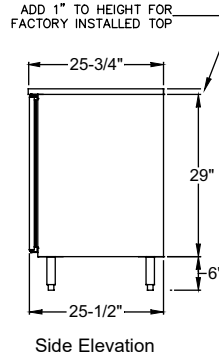
## PRODUCT INFORMATION

(see LPDS Spec Sheet for complete details)

**STANDARD FEATURES:** Galvanized steel interior construction • Foamed-in-place insulation for extra sturdiness • Black vinyl-clad steel exterior front and sides • Stainless steel die cast handle with lock • Leg sockets recessed into base • 180° swinging door



LPDS24-1SS(L)



## LOW PROFILE DRY STORAGE CABINETS

MODEL	LIST	LENGTH	DOORS	WEIGHT
LPDS24	\$2,198	24"	1	135#
LPDS40	\$4,149	40"	2	245#
LPDS48	\$4,389	48"	2	255#
LPDS60	\$5,698	60"	3	350#
LPDS72	\$6,127	72"	3	365#
LPDS80	\$7,281	80"	4	455#
LPDS96	\$7,860	96"	4	475#

Base price only. See below for configurable options.

\*NOTE: Low Profile Dry Storage Cabinets are manufactured to order and are not returnable.

## Select Configurable Options:

### DOOR OPTIONS

NOTE: Select options for EACH Door Section

### STYLE AND FINISH - PER DOOR

Door - Black vinyl-clad	No charge
Door - Unlaminated	No charge
Door - Stainless steel	\$48
Door - Jeweled stainless	\$252
Door - Laminated	\$288

### DOOR HINGE LOCATION - PER DOOR

Left	No charge
Right	No charge

### SHELVING

Two adjustable shelves per door included	No charge
--	-----------

### DOOR HANDLE - PER DOOR

Signature handle	No charge
Pull-tab handle - stainless or black to match door; black for laminate	No charge
Tube handle	No charge



Signature handle Pull tab handle Tube handle

### TOP STYLE

	24"	40"	48"	60"	72"	80"	96"
No finished top	No charge						
Stainless top	\$501	\$546	\$601	\$683	\$764	\$819	\$928

### LEFT SIDE FINISH

Black vinyl-clad	No charge
Stainless Steel	\$48

### RIGHT SIDE FINISH

Black vinyl-clad	No charge
Stainless Steel	\$48

### LEG AND STAINLESS STEEL KICK RAILS

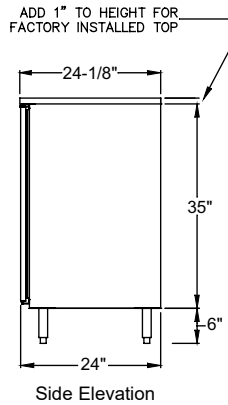
NOTE: Legs are required if kick rails are ordered.

	24"	40"	48"	60"	72"	80"	96"
6" legs	\$204	\$204	\$204	\$305	\$305	\$305	\$305
Front kick rail	\$127	\$145	\$158	\$173	\$190	\$199	\$220
Left side kick rail	\$127	\$127	\$127	\$127	\$127	\$127	\$127
Right side kick rail	\$127	\$127	\$127	\$127	\$127	\$127	\$127

### CASTERS

	24"	40"	48"	60"	72"	80"	96"
4-1/8" casters	\$182	\$182	\$182	\$275	\$275	\$275	\$275
2-7/8" casters	\$176	\$176	\$176	\$264	\$264	\$264	\$264
1-1/2" casters	\$310	\$310	\$310	\$464	\$464	\$464	\$464

**\*NOTE:** Dry Storage Cabinets are manufactured to order and are not returnable.



DS24 with stainless door and top

## PRODUCT INFORMATION

(see Dry Storage Spec Sheet for complete details)

### STANDARD FEATURES:

- Galvanized steel interior construction
- Galvanized steel back

## DRY STORAGE CABINETS

MODEL	LIST	LENGTH	DOORS	WEIGHT
DS24	\$2,416	24"	1	140#
DS40	\$4,354	40"	2	255#
DS48	\$4,611	48"	2	265#
DS60	\$5,974	60"	3	365#
DS72	\$6,419	72"	3	380#
DS80	\$7,696	80"	4	475#
DS96	\$8,297	96"	4	495#

Base price only. See below for configurable options.

## Select Configurable Options:

### DOOR OPTIONS

NOTE: Select options for EACH Door Section

#### STYLE AND FINISH - PER DOOR

Door - Black vinyl-clad	No charge
Door - Unlaminated	No charge
Door - Stainless steel	\$48
Door - Jeweled stainless	\$252
Door - Laminated	\$288

#### DOOR HINGE LOCATION - PER DOOR

Left	No charge
Right	No charge

#### SHELVING

Two adjustable shelves per door included	No charge
--	-----------

#### DOOR HANDLE - PER DOOR

Signature handle	No charge
Pull-tab handle - stainless or black to match door; black for laminate	No charge
Tube handle	No charge



Signature handle   Pull tab handle   Tube handle

### TOP STYLE

	24"	40"	48"	60"	72"	80"	96"
No finished top				No charge			
Stainless top	\$501	\$546	\$601	\$683	\$764	\$819	\$928

### LEFT SIDE FINISH

Black vinyl-clad	No charge
Stainless Steel	\$48

### RIGHT SIDE FINISH

Black vinyl-clad	No charge
Stainless Steel	\$48

### LEG AND STAINLESS STEEL KICK RAILS

NOTE: Legs are required if kick rails are ordered.

	24"	40"	48"	60"	72"	80"	96"
6" legs	\$204	\$204	\$204	\$305	\$305	\$305	\$305
Front kick rail	\$127	\$145	\$158	\$173	\$190	\$199	\$220
Left side kick rail	\$127	\$127	\$127	\$127	\$127	\$127	\$127
Right side kick rail	\$127	\$127	\$127	\$127	\$127	\$127	\$127

### CASTERS

	24"	40"	48"	60"	72"	80"	96"
4-1/8" casters	\$182	\$182	\$182	\$275	\$275	\$275	\$275
2-7/8" casters	\$176	\$176	\$176	\$264	\$264	\$264	\$264
1-1/2" casters	\$310	\$310	\$310	\$464	\$464	\$464	\$464

Bar Refrigeration

## PRODUCT INFORMATION

(see BGS and BLD Spec Sheets for complete details)

\*NOTE: These items are manufactured to order and are not returnable



BGS-24  
shown with T-24X24-S



BLD-24  
shown with T-24X24-S

### 24" DEEP BACK BAR GLASS STORAGE UNITS

BLACK	LIST	STAINLESS	LIST	LENGTH	WGT
BGS-18	\$2,808	BGS-18-S	\$2,903	18"	110#
BGS-24	\$3,237	BGS-24-S	\$3,333	24"	135#
BGS-30	\$3,668	BGS-30-S	\$3,763	30"	160#

### 24" DEEP BACK BAR LIQUOR DISPLAYS

BLACK	LIST	STAINLESS	LIST	LENGTH	WGT
BLD-18	\$2,631	BLD-18-S	\$2,726	18"	95#
BLD-24	\$2,898	BLD-24-S	\$2,993	24"	105#
BLD-30	\$3,167	BLD-30-S	\$3,263	30"	120#
BLD-36	\$3,433	BLD-36-S	\$3,529	36"	130#
BLD-42	\$3,702	BLD-42-S	\$3,797	42"	145#
BLD-48	\$3,971	BLD-48-S	\$4,066	48"	155#

### LOCKING COVERS FOR BACK BAR LIQUOR DISPLAYS

STAINLESS	LIST	BLACK	LIST	LENGTH	WGT
BLC-18-S	\$448	BLC-18	\$361	18"	18#
BLC-24-S	\$504	BLC-24	\$393	24"	20#
BLC-30-S	\$559	BLC-30	\$428	30"	25#
BLC-36-S	\$616	BLC-36	\$460	36"	30#
BLC-42-S	\$671	BLC-42	\$494	42"	35#
BLC-48-S	\$729	BLC-48	\$529	48"	40#

### STAINLESS TOPS

STAINLESS	LIST	LENGTH	WGT
T-24X18-S	\$445	18"	15#
T-24X24-S	\$501	24"	18#
T-24X30-S	\$558	30"	21#
T-24X36-S	\$614	36"	24#
T-24X42-S	\$668	42"	27#
T-24X48-S	\$725	48"	30#

### STAINLESS KICK RAILS

NOTE: Legs are required if kick rails are ordered.

MODEL	LIST	LENGTH	WGT
CKR-18	\$119	18"	2#
CKR-24	\$127	24"	4#
CKR-30	\$134	30"	6#
CKR-36	\$142	36"	8#
CKR-42	\$146	42"	10#
CKR-48	\$158	48"	12#

### LEGS AND CASTERS

6" Legs	\$204
4-1/8" Casters	\$182
2-7/8" Casters	\$176
1-1/2" Casters	\$310

## Margarita Machine Stands\*

Pricing effective January 1, 2025

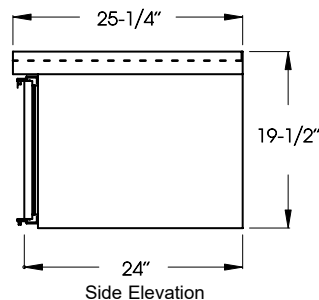
### MARGARITA MACHINE STANDS

MODEL	LENGTH	LIST	WEIGHT
MS20	20"	\$2,378	110#
MS24	24"	\$2,465	115#



MS20  
Shown with  
optional legs

\*NOTE: Margarita Machine Stands are manufactured to order and are not returnable.



## PRODUCT INFORMATION

(see MS Spec Sheet for complete details)

### Select Configurable Options:

#### DOOR

##### FINISH

Black vinyl-clad	No charge
Stainless Steel	\$48

##### HINGE LOCATION

Left	No charge
Right	No charge

##### SIDE FINISH

Black vinyl-clad	No charge
Stainless Steel	\$96

#### LEGS AND CASTERS

6" Legs	\$204
4-1/8" Casters	\$182
2-7/8" Casters	\$176
1-1/2" Casters	\$310

**6" LEG SETS**

MODEL	DESCRIPTION	LIST	WT
LEG06X4	Set of four legs, for front-serviced and remote coolers up to 2 doors - does not include 32" and 36" front-serviced coolers (see LEGS06X5)	\$204	5#
LEG06X4-AT	Set of four legs, for side-serviced coolers and frosters	\$204	6#
LEG06X5	Set of five legs, for 32" and 36" front-serviced coolers	\$253	6#
LEG06X6	Set of six legs, for coolers with 3 or 4 doors	\$305	7#

**4" CASTER SETS**

MODEL	DESCRIPTION	LIST	WT
C-4X4-1/8	4-1/8"H caster, set of four, for 2-door front-serviced coolers	\$182	4#
C-4X4-1/8-S	4-1/8"H caster, set of four, for side-serviced coolers and frosters	\$182	4#
C-5X4-1/8-S	4-1/8"H caster, set of five, for 1-door front-serviced coolers and frosters	\$223	5#
C-6X4-1/8	4-1/8"H caster, set of six, for coolers with 3 or 4 doors	\$275	6#
C-6X4-1/8-S	4-1/8"H caster, set of six, for 72" and 84" shallow-depth coolers	\$275	6#

**2" CASTER SETS**

MODEL	DESCRIPTION	LIST	WT
C-4X2-7/8	2-7/8"H caster, set of four, for 2-door front-serviced cooler	\$176	4#
C-4X2-7/8-S	2-7/8"H caster, set of four, for side-serviced coolers and frosters	\$176	4#
C-5X2-7/8-S	2-7/8"H caster, set of five, for 1-door front-serviced coolers and frosters	\$220	5#
C-6X2-7/8	2-7/8"H caster, set of six, for coolers with 3 or 4 doors	\$264	6#
C-6X2-7/8-S	2-7/8"H caster, set of six, for 72" and 84" shallow-depth coolers	\$264	6#

**1-1/2" CASTER SETS**

MODEL	DESCRIPTION	LIST	WT
C-4X1	1-1/2"H caster, set of four	\$310	2#
C-5X1	1-1/2"H caster, set of five, for 1-door front-serviced coolers and frosters	\$387	2#
C-6X1	1-1/2"H caster, set of six, for coolers with 3 or 4 doors	\$464	2#

**FORCED AIR CROSSOVER & SHAFT ASSEMBLIES**

MODEL	DESCRIPTION	LIST	WT
CROSS-RR	30" crossover tube assembly with 100 CFM blower motor from a refrigerator to another	\$1,376	15#
CROSS-WR	30" crossover tube assembly with 100 CFM blower motor from a walk-in cooler to a refrigerator	\$1,385	20#
CROSS-WT	30" crossover tube assembly with 100 CFM blower motor from a walk-in cooler to a wall mount tower	\$1,402	20#
SHAFT-RT	72" air shaft assembly with 100 CFM blower motor from a refrigerator to a beer tower	\$1,414	25#
SHAFT-WT	72" air shaft assembly with 100 CFM blower motor from a walk-in cooler to a beer tower	\$1,449	28#

**18" Condensing Unit Storage Cabinet\***



**18" CONDENSING UNIT STORAGE CABINET\***

Standard List = \$1,866  
 Weight:  
 without top = 85#  
 with top = 105#

**PRODUCT INFORMATION**  
 (see CS18 Spec Sheet for complete details)

\*NOTE: 18" Condensing Unit Storage Cabinets are manufactured to order and are not returnable

**Select Configurable Options:**

**FRONT FINISH**

Black vinyl-clad	No charge
Stainless Steel	\$48

**TOP STYLE**

No finished top	No charge
Stainless Steel	\$445

**LEFT AND RIGHT SIDE FINISH**

Black vinyl-clad	No charge
Stainless Steel	\$96

**LEGS**

6" Legs	\$204
---------	-------

**Bar Refrigeration**

**PRODUCT INFORMATION**

(see BLC Spec Sheet for complete details)

- Enhanced cooling capacity allows longer line runs and more faucets per chiller
- 1/2” ID glycol connections with 100 GPH pump
- Durable stainless steel exterior with 16 gauge galvanized steel base
- Stainless steel, eco friendly, foamed-in-place insulated glycol bath
- Front located glycol filling port
- Digital temperature control with LCD display
- “-2” suffix in model number denotes two recirculating pumps, “-3” suffix in model number denotes three recirculating pumps

Model No.		BLC-1/3	BLC-1/3-2	BLC-1/2	BLC-1/2-2	BLC-3/4	BLC-3/4-2	BLC-3/4-3
Dimensionst	Length (inches)	28-7/8	28-7/8	28-7/8	28-7/8	28-7/8	28-7/8	28-7/8
	Width (inches)	28-5/8	28-5/8	28-5/8	28-5/8	28-5/8	28-5/8	28-5/8
	Height (inches)	24-1/8	24-1/8	24-1/8	24-1/8	24-1/8	24-1/8	24-1/8
Electrical	Voltage	120V	120V	120V	120V	208/240V	208/240V	208/240V
	Frequency	60 Hz	60 Hz	60 Hz	60 Hz	60 Hz	60 Hz	60 Hz
	Phase	1ø	1ø	1ø	1ø	1ø	1ø	1ø
	FLA	14A	20A	15A	21A	8.5A/9A	10.5A/11A	12.5A/13A
	Dedicated Circuit	20A	30A	20A	30A	20A	20A	20A
	Electrical Connection	Corded with NEMA 5-20P	Hard Wire	Corded with NEMA 5-20P	Hard Wire	Corded with NEMA 6-20P	Corded with NEMA 6-20P	Corded with NEMA 6-20P
Refrigerant		R448A	R448A	R448A	R448A	R448A	R448A	R448A
Refrigerant Charge		24 oz	24 oz	24 oz	24 oz	24 oz	24 oz	24 oz
Compressor		1/3 HP	1/3 HP	1/2 HP	1/2 HP	3/4 HP	3/4 HP	3/4 HP
Capacities*		3,400 BTUH	2,800 BTUH	4,600 BTUH	4,100 BTUH	6,200 BTUH	5,700 BTUH	5,000 BTUH
Heat Rejection (BTU/hr)		9,133 BTUH	10,990 BTUH	10,743 BTUH	12,700 BTUH	13,571 BTUH	14,709 BTUH	15,647 BTUH
Circulating Pumps		100 GPH	100 GPH	100 GPH	100 GPH	100 GPH	100 GPH	100 GPH
Glycol Bath Capacity		4 Gallons	4 Gallons	4 Gallons	4 Gallons	4 Gallons	4 Gallons	4 Gallons
Shipping Weight LBS (kg)		190 (86.2)	205 (93)	190 (86.2)	205 (93)	200 (90.7)	215 (97.5)	230 (104.3)

\* Note: Rated capacities assume maximum operating ambient temperature of 80°F.

† Note: A minimum clearance of eight inches from the back and twenty-four inches from the left and right sides of the unit must be allowed for proper air flow. See diagram below.

Beverage Dispensing

## BEVERAGE LINE CHILLERS

MODEL	DESCRIPTION	LIST	WT
BLC-1/3	1/3 HP beverage line chiller, one pump	\$6,772	190#
BLC-1/3-2	1/3 HP beverage line chiller, two pumps	\$8,027	205#
BLC-1/2	1/2 HP beverage line chiller, one pump	\$7,109	190#
BLC-1/2-2	1/2 HP beverage line chiller, two pumps	\$8,365	205#
BLC-3/4	3/4 HP beverage line chiller, one pump	\$8,401	200#
BLC-3/4-2	3/4 HP beverage line chiller, two pumps	\$10,142	215#
BLC-3/4-3	3/4 HP beverage line chiller, three pumps	\$11,724	230#

## CONFIGURABLE OPTIONS

MODEL	DESCRIPTION	LIST	WGT
Legs	6" legs with adjustable flanged feet	\$204	5#



BLC-1/3



BLC-3/4-2



BLC-3/4-3

**Which line chiller size should you choose?** Remote beverage line chillers are sized to handle different length runs. If two separate conduits are involved, then the lengths of the two runs must be added together to determine the total run requirement. The run length is calculated as the distance between the line chiller and the beverage tower in a single pass glycol conduit, including any rise or fall.

# Beverage Line Chiller Accessories



LCS-G

(see LCS and LCR  
Spec Sheets for  
complete details)



LCR-G

The line chiller stand is 30" high by 28-1/8" wide by 30-1/8" deep. Laser cut mounting holes fit all Glastender line chiller models. The stand has adjustable feet for leveling. Includes a bottom shelf for miscellaneous storage.

A line chiller wall rack is a shelf that is mounted to a structural wall. The shelf has laser cut mounting holes that correspond to the line chiller leg set mounting holes, so the line chiller can be bolted to the shelf. Line chiller rack fits all models of Glastender line chillers.

Beverage Dispensing

## LINE CHILLER STANDS

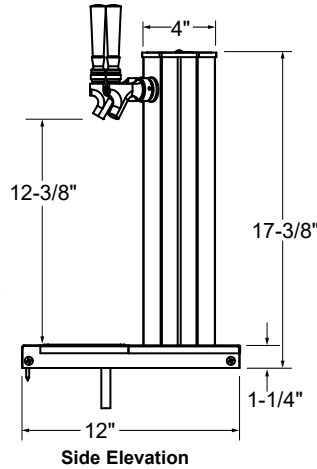
MODEL	DESCRIPTION	LIST	WT
LCS-G	Line chiller stand, galvanized	\$810	70#

## LINE CHILLER WALL RACKS

MODEL	DESCRIPTION	LIST	WT
LCR-G	Wall rack, galvanized	\$493	38#



CT-3-SS  
(handles not included)



**PRODUCT INFORMATION**

(see CT Spec Sheet for complete details)

**STANDARD FEATURES**

- All stainless steel construction
- Integrated surface mount drain pan with lift-out perforated inserts
- 1/4" shanks with 3/16" restriction lines
- Available in grainline finish, mirror finish, or brass finish
- Available with cold plate assembly and insulated restriction lines for glycol recirculating system (specify suffix 'R' in the model number)
- Available in 1, 2, and 3 faucet sizes
- All models include all stainless steel faucets and shanks to resist corrosion and prevent metallic leaching, making them ideal for both draft beer and wine applications
- Unique internal support system for solid mounting
- Base plate serves as template for hole cutting
- Mounting holes will be pre-drilled at the factory if the host cooler is ordered with a finished top and the tower location is specified

NOTE: To convert standard faucet to stout style faucet, specify accessory model number BT-CFG and add \$270 List per faucet.

**COLUMN TOWERS WITH DRAIN PAN AND 7/2" RESTRICTION LINES**

GRAINLINE FINISH		MIRROR FINISH		BRASS FINISH**		FAUCETS	WGT	WIDTH	SYSTEM TYPE
MODEL	LIST	MODEL	LIST	MODEL	LIST				
CT-1-SS	\$1,277	CT-1-MF*	\$1,374	CT-1-PB*	\$1,582	1	13#	14"	Air Cooled
CT-1-SSR*	\$1,691	CT-1-MFR*	\$1,778	CT-1-PBR*	\$1,965	1	21#	14"	Glycol
CT-2-SS	\$1,480	CT-2-MF*	\$1,578	CT-2-PB*	\$1,786	2	15#	14"	Air Cooled
CT-2-SSR*	\$1,912	CT-2-MFR*	\$1,999	CT-2-PBR*	\$2,186	2	23#	14"	Glycol
CT-3-SS	\$1,896	CT-3-MF*	\$1,994	CT-3-PB*	\$2,202	3	18#	14"	Air Cooled
CT-3-SSR*	\$2,133	CT-3-MFR*	\$2,221	CT-3-PBR*	\$2,407	3	26#	14"	Glycol

\*NOTE: These Column Towers are manufactured to order and are not returnable

\*\*NOTE: Brass finish towers provided with mirror finish drain pan and brass finish perforated insert



**RINSER FAUCET EXTENSION**

Column tower drain pans can be manufactured with rinser faucet extensions to the left or right of the drain pan. A rinser faucet extension will add 5" to the overall length of the drain pan. Add the RFE upcharge when placing your order.

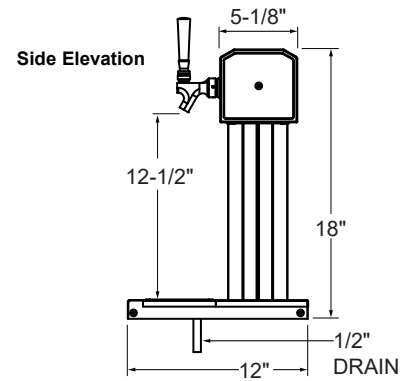
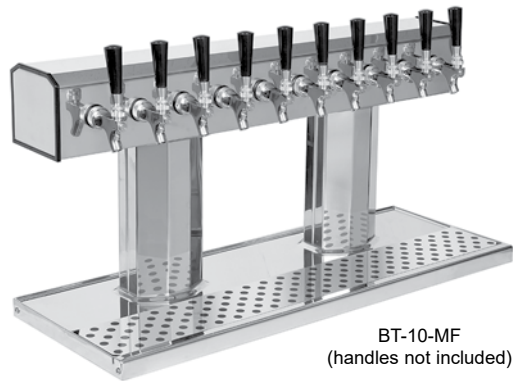
NOTE: Rinser faucets not intended for use with towers mounted to a refrigerator due to risk of water line freeze up.

MODEL	DESCRIPTION	LIST
RFE	Rinser faucet extension	\$762

Rinser faucet installation notes:

- Unit does not provide a 1" air gap.
- Must be installed with external backflow prevention to meet applicable federal, state, and local plumbing code requirements.
- Install in-line water pressure regulator (included).
- A separate shut-off valve is recommended (not included).

Beverage Dispensing



NOTE: To convert standard faucet to stout style faucet, specify accessory model number BT-CFG and add \$270 List per faucet.

**TEE TOWERS WITH DRAIN PAN 72" RESTRICTION LINES**

GRAINLINE FINISH		MIRROR FINISH		BRASS FINISH**		COLUMNS	FAUCETS	WGT	WIDTH	SYSTEMTYPE
MODEL	LIST	MODEL	LIST	MODEL	LIST					
BT-4-SS	\$2,362	BT-4-MF*	\$2,503	BT-4-PB*	\$2,840	1	4	23#	14"	Air Cooled
BT-4-SSR*	\$2,480	BT-4-MFR*	\$2,579	BT-4-PBR*	\$2,909	1	4	31#	14"	Glycol
BT-5-SS	\$2,600	BT-5-MF*	\$2,729	BT-5-PB*	\$3,145	1	5	27#	17"	Air Cooled
BT-5-SSR*	\$2,722	BT-5-MFR*	\$2,837	BT-5-PBR*	\$3,210	1	5	36#	17"	Glycol
BT-6-SS	\$2,835	BT-6-MF*	\$2,983	BT-6-PB*	\$3,443	1	6	31#	20"	Air Cooled
BT-6-SSR*	\$3,006	BT-6-MFR*	\$3,138	BT-6-PBR*	\$3,552	1	6	41#	20"	Glycol
BT-8-SS*	\$4,069	BT-8-MF*	\$4,262	BT-8-PB*	\$4,732	2	8	39#	26"	Air Cooled
BT-8-SSR*	\$4,136	BT-8-MFR*	\$4,309	BT-8-PBR*	\$4,912	2	8	51#	26"	Glycol
BT-10-SS*	\$4,528	BT-10-MF*	\$4,753	BT-10-PB*	\$5,531	2	10	57#	32"	Air Cooled
BT-10-SSR*	\$4,625	BT-10-MFR*	\$4,837	BT-10-PBR*	\$5,523	2	10	71#	32"	Glycol
BT-12-SS*	\$5,105	BT-12-MF*	\$5,376	BT-12-PB*	\$6,234	2	12	65#	38"	Air Cooled
BT-12-SSR*	\$5,213	BT-12-MFR*	\$5,455	BT-12-PBR*	\$6,224	2	12	81#	38"	Glycol

\*NOTE: These Tee Towers are manufactured to order and are not returnable

\*\*NOTE: Brass finish towers provided with mirror finish drain pan and brass finish perforated insert

**PRODUCT INFORMATION** (see BT Spec Sheet for complete details)

**STANDARD FEATURES**

- All stainless steel construction
- Integrated surface mount drain pan with lift-out perforated inserts
- 1/4" shanks with 3/16" restriction lines
- Available in grainline finish, mirror finish, or brass finish
- Available with cold plate assembly and insulated restriction lines for glycol recirculating system (specify suffix 'R' in the model number)
- Available in 4, 5, 6, 8, 10, and 12 faucet sizes
- All models include all stainless steel faucets and shanks to resist corrosion and prevent metallic leaching, making them ideal for both draft beer and wine applications
- Unique internal support system for solid mounting
- Base plate serves as template for hole cutting
- Mounting holes will be pre-drilled at the factory if the host cooler is ordered with a finished top and the tower location is specified

**RINSER FAUCET EXTENSION**

Tee tower drain pans can be manufactured with rinser faucet extensions to the left or right of the drain pan. A rinser faucet extension will add 5" to the overall length of the drain pan. Add the REF upcharge when placing your order.

NOTE: Rinsers are not intended for use with towers mounted to a refrigerator due to risk of water line freeze up.

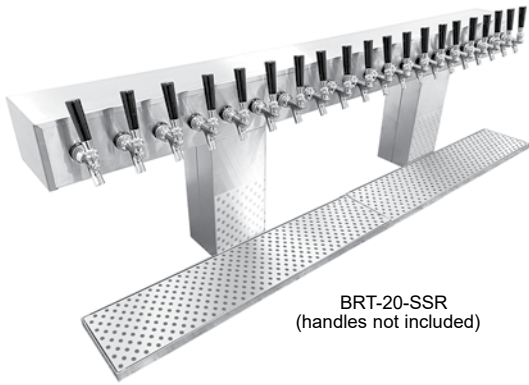
MODEL	DESCRIPTION	LIST
RFE	Rinsers faucet extension	\$762

Rinsers faucet installation notes:

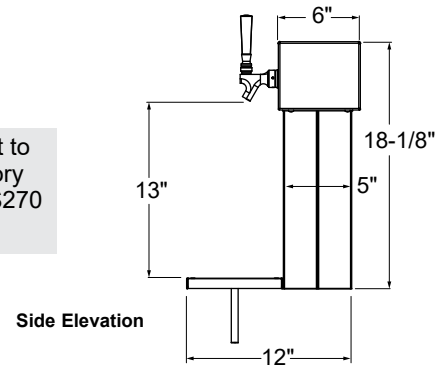
- Unit does not provide a 1" air gap.
- Must be installed with external backflow prevention to meet applicable federal, state, and local plumbing code requirements.
- Install in-line water pressure regulator (included).
- A separate shut-off valve is recommended (not included).



Beverage Dispensing



NOTE: To convert standard faucet to stout style faucet, specify accessory model number BT-CFG and add \$270 List per faucet.



## BRIDGE TOWERS WITH DRAIN PAN AND 72" RESTRICTION LINES

GRAINLINE FINISH		MIRROR FINISH		BRASS FINISH**		COLUMNS	FAUCETS	WGT	WIDTH	SYSTEM TYPE
MODEL	LIST	MODEL	LIST	MODEL	LIST					
BRT-14-SS	\$5,865	BRT-14-MF	\$6,442	BRT-14-PB	\$7,573	2	14	70#	44"	Air Cooled †
BRT-14-SSR	\$7,388	BRT-14-MFR	\$7,905	BRT-14-PBR	\$8,918	2	14	84#	44"	Glycol
BRT-16-SS	\$6,566	BRT-16-MF	\$7,017	BRT-16-PB	\$8,249	2	16	77#	50"	Air Cooled †
BRT-16-SSR	\$8,097	BRT-16-MFR	\$8,656	BRT-16-PBR	\$9,761	2	16	93#	50"	Glycol
BRT-18-SS	\$6,944	BRT-18-MF	\$7,611	BRT-18-PB	\$8,946	2	18	77#	27"	Air Cooled †
BRT-18-SSR	\$8,791	BRT-18-MFR	\$9,389	BRT-18-PBR	\$10,584	2	18	103#	27"	Glycol
BRT-20-SSR	\$9,489	BRT-20-MFR	\$10,128	BRT-20-PBR	\$11,418	2	20	112#	62"	Glycol
BRT-24-SSR	\$11,997	BRT-24-MFR	\$12,824	BRT-24-PBR	\$14,448	3	24	140#	74"	Glycol
BRT-30-SSR	\$14,097	BRT-30-MFR	\$15,044	BRT-30-PBR	\$16,946	3	30	168#	92"	Glycol

### PRODUCT INFORMATION (see BRT Spec Sheet for complete details)

#### STANDARD FEATURES

- All stainless steel construction
- Includes surface mount drain pan with lift-out perforated inserts
- 1/4" shanks with 3/16" restriction lines
- Available in grainline finish, mirror finish, or brass finish
- Available with cold plate assembly and insulated restriction lines for glycol recirculating system (specify suffix 'R' in the model number)
- Available in 14, 16, 18, 20, 24, and 30 faucet sizes
- Direct-draw air-cooled option available for 14, 16, and 18 faucet sizes†
- All models include all stainless steel faucets and shanks to resist corrosion and prevent metallic leaching, making them ideal for both draft beer and wine applications
- Mounting holes will be pre-drilled at the factory if the host cooler is ordered with a finished top and the tower location is specified

\*NOTE: Bridge Towers are manufactured to order and are not returnable.

\*\*NOTE: Brass finish towers provided with mirror finish drain pan and brass finish perforated insert.

†NOTE: Product is not intended for remote air-cooled installations

## RINSER FAUCET EXTENSION

Bridge tower drain pans can be manufactured with rinser faucet extensions to the left or right of the drain pan. A rinser faucet extension will add 5" to the overall length of the drain pan. Add the RFE upcharge when placing your order.

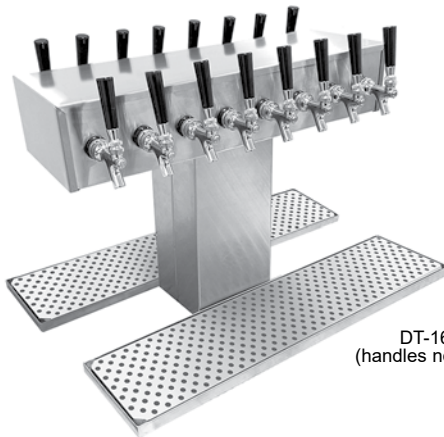
NOTE: Rinsers faucets not intended for use with towers mounted to a refrigerator due to risk of water line freeze up.

#### Rinsers faucet installation notes:

- Unit does not provide a 1" air gap.
- Must be installed with external backflow prevention to meet applicable federal, state, and local plumbing code requirements.
- Install in-line water pressure regulator (included).
- A separate shut-off valve is recommended (not included).

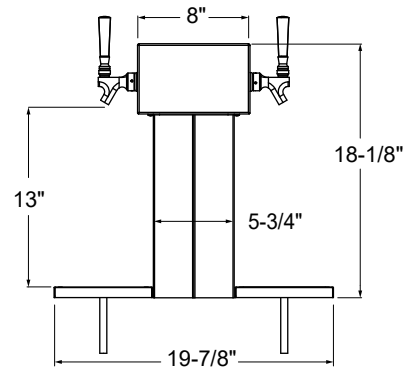
MODEL	DESCRIPTION	LIST
RFE	Rinsers faucet extension	\$762





DT-16-SSR  
(handles not included)

NOTE: To convert standard faucet to stout style faucet, specify accessory model number BT-CFG and add \$270 List per faucet.



Side Elevation

**DOUBLE-SIDED TOWERS WITH DRAIN PAN AND 72" RESTRICTION LINES**

GRAINLINE FINISH		MIRROR FINISH		BRASS FINISH**		COLUMNS	FAUCETS	WGT	WIDTH	SYSTEM TYPE
MODEL	LIST	MODEL	LIST	MODEL	LIST					
DT-16-SSR	\$7,486	DT-16-MFR	\$7,991	DT-16-PBR	\$8,765	1	16	70#	16"	Glycol
DT-20-SSR	\$8,846	DT-20-MFR	\$9,421	DT-20-PBR	\$10,326	1	20	85#	20"	Glycol
DT-24-SSR	\$11,831	DT-24-MFR	\$12,674	DT-24-PBR	\$13,876	2	24	109#	24"	Glycol
DT-32-SSR	\$14,599	DT-32-MFR	\$15,583	DT-32-PBR	\$17,037	2	32	140#	32"	Glycol
DT-36-SSR	\$15,962	DT-36-MFR	\$17,014	DT-36-PBR	\$18,594	2	36	155#	36"	Glycol
DT-40-SSR	\$17,320	DT-40-MFR	\$18,444	DT-40-PBR	\$20,156	2	40	170#	40"	Glycol

**PRODUCT INFORMATION** (see DT Spec Sheet for complete details)

**STANDARD FEATURES**

- All stainless steel construction
- Includes surface mount drain pans with lift-out perforated inserts
- 1/4" shanks with 3/16" restriction lines
- Available in grainline finish, mirror finish, or brass finish
- Includes cold plate assembly and insulated restriction lines for glycol recirculating system
- Available in 16, 20, 24, 32, 36, and 40 faucet sizes

- All models include all stainless steel faucets and shanks to resist corrosion and prevent metallic leaching, making them ideal for both draft beer and wine applications

\*NOTE: Double-Sided Towers are manufactured to order and are not returnable.  
 \*\*NOTE: Brass finish towers provided with mirror finish drain pan and brass finish perforated insert

**RINSER FAUCET EXTENSION**

Double-Sided tower drain pans can be manufactured with rinsers faucet extensions to the left or right of the drain pan. A rinsers faucet extension will add 5" to the overall length of the drain pan. Add the RFE upcharge when placing your order.

NOTE: Rinsers faucets not intended for use with towers mounted to a refrigerator due to risk of water line freeze up.

**Rinsers faucet installation notes:**

- Unit does not provide a 1" air gap.
- Must be installed with external backflow prevention to meet applicable federal, state, and local plumbing code requirements.
- Install in-line water pressure regulator (included).
- A separate shut-off valve is recommended (not included).

MODEL	DESCRIPTION	LIST
RFE	Rinsers faucet extension	\$762



Beverage Dispensing



PB-14-SS  
(handles not included)

NOTE: To convert standard faucet to stout style faucet, specify accessory model number BT-CFG and add \$270 List per faucet.

\*NOTE: Pipe Bridge Towers are manufactured to order and are not returnable.

## PIPE BRIDGE TOWERS WITH DRAIN PANS

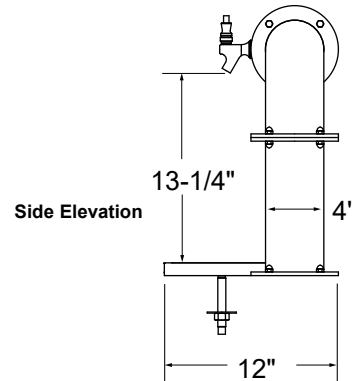
GRAINLINE FINISH		MIRROR FINISH		FAUCETS	WGT	WIDTH	SYSTEM TYPE
MODEL	LIST	MODEL	LIST				
PB-6-SS	\$11,296	PB-6-MF	\$12,701	6	63#	45-1/4"	Air Cooled
PB-6-SSR	\$11,152	PB-6-MFR	\$12,558	6	63#	45-1/4"	Glycol
PB-8-SS	\$12,156	PB-8-MF	\$13,589	8	68#	51-1/4"	Air Cooled
PB-8-SSR	\$11,989	PB-8-MFR	\$13,421	8	68#	51-1/4"	Glycol
PB-10-SS	\$13,010	PB-10-MF	\$14,475	10	74#	57-1/4"	Air Cooled
PB-10-SSR	\$12,815	PB-10-MFR	\$14,280	10	74#	57-1/4"	Glycol
PB-12-SS	\$13,865	PB-12-MF	\$15,358	12	80#	63-1/4"	Air Cooled
PB-12-SSR	\$13,646	PB-12-MFR	\$15,138	12	80#	63-1/4"	Glycol
PB-14-SS	\$14,750	PB-14-MF	\$16,273	14	85#	69-1/4"	Air Cooled
PB-14-SSR	\$14,496	PB-14-MFR	\$16,019	14	85#	69-1/4"	Glycol
PB-16-SS	\$15,612	PB-16-MF	\$17,167	16	91#	75-1/4"	Air Cooled
PB-16-SSR	\$15,335	PB-16-MFR	\$16,890	16	91#	75-1/4"	Glycol

### PRODUCT INFORMATION

(see PB Spec Sheet for complete details)

#### STANDARD FEATURES

- All stainless steel construction
- Includes surface mount drain pans with lift-out perforated inserts
- 1/4" shanks with 3/16" restriction lines
- Available in grainline finish or mirror finish
- Air cooled for direct-draw system or glycol cooled for recirculating system
- Available in 6, 8, 10, 12, 14, and 16 faucet sizes
- All models include all stainless steel faucets and shanks to resist corrosion and prevent metallic leaching, making them ideal for both draft beer and wine applications



### RINSER FAUCET EXTENSION

Pipe Bridge Tower rinsers faucet extension drain pans are manufactured to position the rinsers faucet at the center of the tower. Add the appropriate RFE upcharge when placing your order.

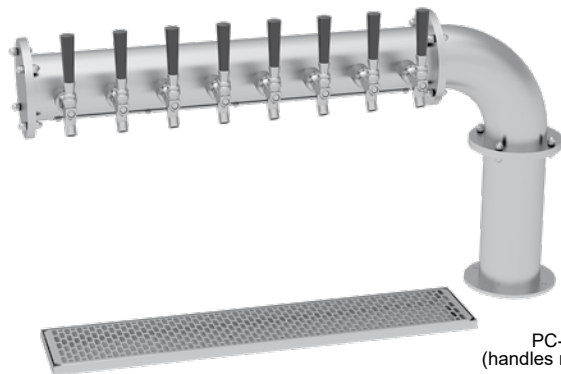
NOTE: Rinsers faucets not intended for use with towers mounted to a refrigerator due to risk of water line freeze up.

Rinsers faucet installation notes:

- Unit does not provide a 1" air gap.
- Must be installed with external backflow prevention to meet applicable federal, state, and local plumbing code requirements.
- Install in-line water pressure regulator (included).
- A separate shut-off valve is recommended (not included).

MODEL	DESCRIPTION	LIST
RFE	Rinsers faucet extension	\$762





NOTE: To convert standard faucet to stout style faucet, specify accessory model number BT-CFG and add \$270 List per faucet.

\*NOTE: Pipe Cantilever Towers are manufactured to order and are not returnable.

## PIPE CANTILEVER TOWERS WITH DRAIN PAN

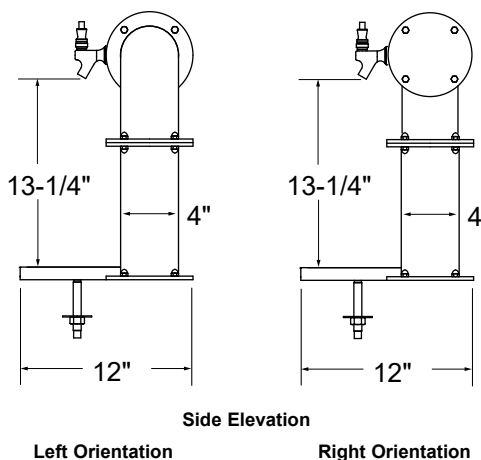
GRAINLINE FINISH		MIRROR FINISH		FAUCETS	WGT	WIDTH	SYSTEM TYPE
MODEL	LIST	MODEL	LIST				
PC-4-SS	\$5,766	PC-4-MF	\$6,264	4	32#	23"	Air Cooled
PC-4-SSR	\$5,703	PC-4-MFR	\$6,201	4	32#	23"	Glycol
PC-6-SS	\$6,621	PC-6-MF	\$7,152	6	38#	29"	Air Cooled
PC-6-SSR	\$6,531	PC-6-MFR	\$7,062	6	38#	29"	Glycol
PC-8-SS	\$7,494	PC-8-MF	\$8,057	8	44#	35"	Air Cooled
PC-8-SSR	\$7,376	PC-8-MFR	\$7,938	8	44#	35"	Glycol

### PRODUCT INFORMATION

(see PC Spec Sheet for complete details)

#### STANDARD FEATURES

- All stainless steel construction
- Includes surface mount drain pan with lift-out perforated inserts
- 1/4" shanks with 3/16" restriction lines
- Available in grainline finish or mirror finish
- Air cooled for direct-draw system or glycol cooled for recirculating system
- Available in 4, 6, and 8 faucet sizes
- All models include all stainless steel faucets and shanks to resist corrosion and prevent metallic leaching, making them ideal for both draft beer and wine applications



## RINSER FAUCET EXTENSION

Pipe Cantilever Tower drain pans are manufactured with rinser faucet extensions to the left or right of the drain pan, dependent on the tower orientation. A rinser faucet extension will add to the overall length of the drain pan. Add the appropriate RFE upcharge when placing your order.

NOTE: Rinsers faucets not intended for use with towers mounted to a refrigerator due to risk of water line freeze up.

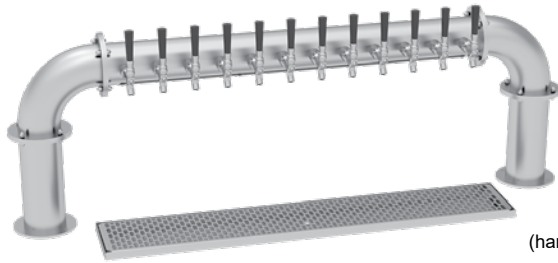
Rinsers faucet installation notes:

- Unit does not provide a 1" air gap.
- Must be installed with external backflow prevention to meet applicable federal, state, and local plumbing code requirements.
- Install in-line water pressure regulator (included).
- A separate shut-off valve is recommended (not included).

MODEL	DESCRIPTION	LIST
RFE	Rinsers faucet extension	\$762



Beverage Dispensing



NOTE: To convert standard faucet to stout style faucet, specify accessory model number BT-CFG and add \$270 List per faucet.

\*NOTE: Pipe Pass-Thru Towers are manufactured to order and are not returnable.

## PIPE PASS-THRU TOWERS WITH DRAIN PAN

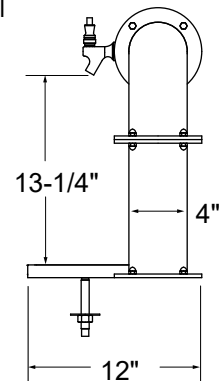
GRAINLINE FINISH		MIRROR FINISH		FAUCETS	WGT	WIDTH	SYSTEM TYPE
MODEL	LIST	MODEL	LIST				
PP-4-SS	\$7,340	PP-4-MF	\$8,271	4	44#	31-1/4"	Air Cooled
PP-4-SSR	\$7,257	PP-4-MFR	\$8,188	4	44#	31-1/4"	Glycol
PP-6-SS	\$8,197	PP-6-MF	\$9,159	6	49#	37-1/4"	Air Cooled
PP-6-SSR	\$8,088	PP-6-MFR	\$9,049	6	49#	37-1/4"	Glycol
PP-8-SS	\$9,071	PP-8-MF	\$10,063	8	54#	43-1/4"	Air Cooled
PP-8-SSR	\$8,933	PP-8-MFR	\$9,925	8	54#	43-1/4"	Glycol
PP-10-SS	\$10,090	PP-10-MF	\$11,115	10	61#	49-1/4"	Air Cooled
PP-10-SSR	\$9,929	PP-10-MFR	\$10,954	10	61#	49-1/4"	Glycol
PP-12-SS	\$10,949	PP-12-MF	\$12,005	12	67#	55-1/4"	Air Cooled
PP-12-SSR	\$10,763	PP-12-MFR	\$11,819	12	67#	55-1/4"	Glycol
PP-14-SS	\$11,849	PP-14-MF	\$12,930	14	73#	61-1/4"	Air Cooled
PP-14-SSR	\$11,629	PP-14-MFR	\$12,709	14	73#	61-1/4"	Glycol
PP-16-SS	\$12,743	PP-16-MF	\$13,852	16	78#	67-1/4"	Air Cooled
PP-16-SSR	\$12,499	PP-16-MFR	\$13,608	16	78#	67-1/4"	Glycol

### PRODUCT INFORMATION

(see PP Spec Sheet for complete details)

#### STANDARD FEATURES

- All stainless steel construction
- Includes surface mount drain pan with lift-out perforated inserts
- 1/4" shanks with 3/16" restriction lines
- Available in grainline finish or mirror finish
- Air cooled for direct-draw system or glycol cooled for recirculating system
- Available in 4, 6, 8, 10, 12, 14, and 16 faucet sizes
- All models include all stainless steel faucets and shanks to resist corrosion and prevent metallic leaching, making them ideal for both draft beer and wine applications



Side Elevation

#### RINSER FAUCET EXTENSION

Pipe Pass-Thru Tower drain pans can be manufactured with rinser faucet extensions to the left, right, or both sides of the drain pan. A rinser faucet extension will add to the overall length of the drain pan. Add the appropriate RFE upcharge when placing your order.

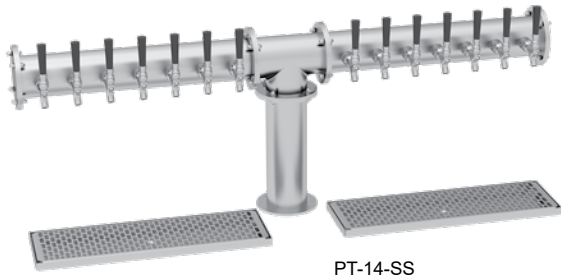
NOTE: Rinsler faucets not intended for use with towers mounted to a refrigerator due to risk of water line freeze up.

Rinsler faucet installation notes:

- Unit does not provide a 1" air gap.
- Must be installed with external backflow prevention to meet applicable federal, state, and local plumbing code requirements.
- Install in-line water pressure regulator (included).
- A separate shut-off valve is recommended (not included).

MODEL	DESCRIPTION	LIST
RFE	Rinsler faucet extension	\$762





PT-14-SS  
(handles not included)

NOTE: To convert standard faucet to stout style faucet, specify accessory model number BT-CFG and add \$270 List per faucet.

\*NOTE: Pipe Tee Towers are manufactured to order and are not returnable.

**PIPE TEE TOWERS WITH DRAIN PANS**

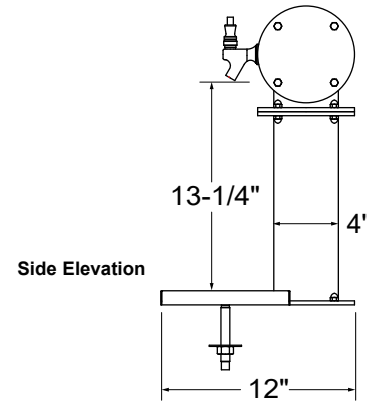
GRAINLINE FINISH		MIRROR FINISH		FAUCETS	WGT	WIDTH	SYSTEM TYPE
MODEL	LIST	MODEL	LIST				
PT-6-SS	\$8,132	PT-6-MF	\$8,671	6	45#	28-3/4"	Air Cooled
PT-6-SSR	\$8,036	PT-6-MFR	\$8,575	6	45#	28-3/4"	Glycol
PT-8-SS	\$8,989	PT-8-MF	\$9,543	8	51#	39-3/4"	Air Cooled
PT-8-SSR	\$8,870	PT-8-MFR	\$9,423	8	51#	39-3/4"	Glycol
PT-10-SS	\$9,843	PT-10-MF	\$10,445	10	56#	45-3/4"	Air Cooled
PT-10-SSR	\$9,697	PT-10-MFR	\$10,298	10	56#	45-3/4"	Glycol
PT-12-SS	\$10,702	PT-12-MF	\$11,328	12	62#	51-3/4"	Air Cooled
PT-12-SSR	\$10,530	PT-12-MFR	\$11,156	12	62#	51-3/4"	Glycol
PT-14-SS	\$11,587	PT-14-MF	\$12,243	14	68#	57-3/4"	Air Cooled
PT-14-SSR	\$11,380	PT-14-MFR	\$12,037	14	68#	57-3/4"	Glycol
PT-16-SS	\$12,445	PT-16-MF	\$13,134	16	73#	63-3/4"	Air Cooled
PT-16-SSR	\$12,216	PT-16-MFR	\$12,904	16	73#	63-3/4"	Glycol

**PRODUCT INFORMATION**

(see PT Spec Sheet for complete details)

**STANDARD FEATURES**

- All stainless steel construction
- Includes surface mount drain pans with lift-out perforated inserts
- 1/4" shanks with 3/16" restriction lines
- Available in grainline finish or mirror finish
- Air cooled for direct-draw system or glycol cooled for recirculating system
- Available in 6, 8, 10, 12, 14, and 16 faucet sizes
- All models include all stainless steel faucets and shanks to resist corrosion and prevent metallic leaching, making them ideal for both draft beer and wine applications



**RINSER FAUCET EXTENSION**

Pipe Tee Tower rinser faucet extension drain pans are manufactured to position the rinser faucet at the center of the tower. Add the appropriate RFE upcharge when placing your order.

NOTE: Rinser faucets not intended for use with towers mounted to a refrigerator due to risk of water line freeze up.

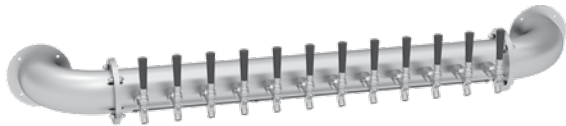
Rinser faucet installation notes:

- Unit does not provide a 1" air gap.
- Must be installed with external backflow prevention to meet applicable federal, state, and local plumbing code requirements.
- Install in-line water pressure regulator (included).
- A separate shut-off valve is recommended (not included).

MODEL	DESCRIPTION	LIST
RFE	Rinser faucet extension	\$762



Beverage Dispensing



PW-12-SS  
(handles not included)



NOTE: To convert standard faucet to stout style faucet, specify accessory model number BT-CFG and add \$270 List per faucet.

\*NOTE: Pipe Wall Towers are manufactured to order and are not returnable.

## PIPE WALL TOWERS WITH DRAIN PAN

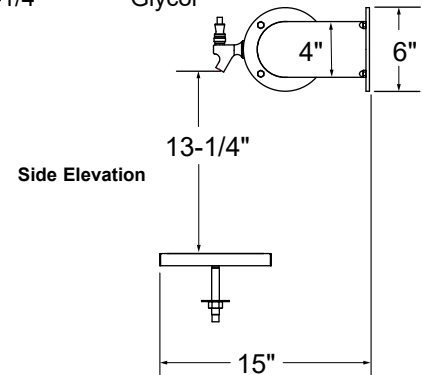
GRAINLINE FINISH		MIRROR FINISH		FAUCETS	WGT	WIDTH	SYSTEM TYPE
MODEL	LIST	MODEL	LIST				
PW-4-SS	\$5,807	PW-4-MF	\$6,741	4	33#	31-1/4"	Air Cooled
PW-4-SSR	\$5,743	PW-4-MFR	\$6,678	4	33#	31-1/4"	Glycol
PW-6-SS	\$6,668	PW-6-MF	\$7,629	6	39#	37-1/4"	Air Cooled
PW-6-SSR	\$6,578	PW-6-MFR	\$7,539	6	39#	37-1/4"	Glycol
PW-8-SS	\$7,522	PW-8-MF	\$8,517	8	44#	43-1/4"	Air Cooled
PW-8-SSR	\$7,388	PW-8-MFR	\$8,384	8	44#	43-1/4"	Glycol
PW-10-SS	\$8,560	PW-10-MF	\$9,582	10	51#	49-1/4"	Air Cooled
PW-10-SSR	\$8,418	PW-10-MFR	\$9,441	10	51#	49-1/4"	Glycol
PW-12-SS	\$9,419	PW-12-MF	\$10,473	12	56#	55-1/4"	Air Cooled
PW-12-SSR	\$9,253	PW-12-MFR	\$10,306	12	56#	55-1/4"	Glycol
PW-14-SS	\$10,291	PW-14-MF	\$11,369	14	62#	61-1/4"	Air Cooled
PW-14-SSR	\$10,059	PW-14-MFR	\$11,137	14	62#	61-1/4"	Glycol
PW-16-SS	\$11,181	PW-16-MF	\$12,287	16	68#	67-1/4"	Air Cooled
PW-16-SSR	\$10,925	PW-16-MFR	\$12,031	16	68#	67-1/4"	Glycol

### PRODUCT INFORMATION

(see PW Spec Sheet for complete details)

#### STANDARD FEATURES

- All stainless steel construction
- Includes surface mount drain pan with lift-out perforated inserts
- 1/4" shanks with 3/16" restriction lines
- Available in grainline finish or mirror finish
- Air cooled for direct-draw system or glycol cooled for recirculating system
- Available in 4, 6, 8, 10, 12, 14, and 16 faucet sizes
- All models include all stainless steel faucets and shanks to resist corrosion and prevent metallic leaching, making them ideal for both draft beer and wine applications



#### RINSER FAUCET EXTENSION

Pipe Wall Tower drain pans can be manufactured with rinser faucet extensions to the left, right, or both sides of the drain pan. A rinser faucet extension will add to the overall length of the drain pan. Add the appropriate RFE upcharge when placing your order.

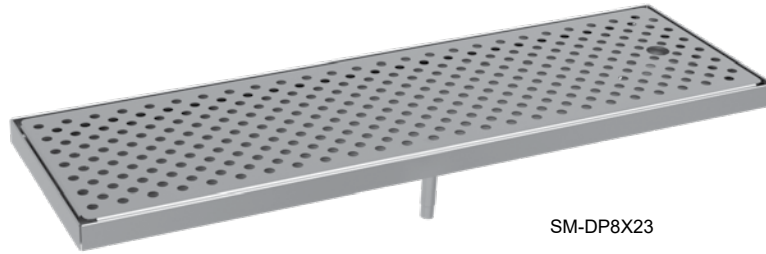
NOTE: Rinsers faucets not intended for use with towers mounted to a refrigerator due to risk of water line freeze up.

Rinsers faucet installation notes:

- Unit does not provide a 1" air gap.
- Must be installed with external backflow prevention to meet applicable federal, state, and local plumbing code requirements.
- Install in-line water pressure regulator (included).
- A separate shut-off valve is recommended (not included).

MODEL	DESCRIPTION	LIST
RFE	Rinsers faucet extension	\$762





SM-DP8X23

**DROP-IN DRAIN PANS**

MODEL	OVERALL DIMENSIONS	LIST	WEIGHT
SM-DP8X11	8" x 11"	\$546	5#
SM-DP8X14	8" x 14"	\$562	6#
SM-DP8X17	8" x 17"	\$579	7#
SM-DP8X20	8" x 20"	\$596	8#
SM-DP8X23	8" x 23"	\$612	9#
SM-DP8X26	8" x 26"	\$629	10#
SM-DP8X32	8" x 32"	\$661	12#
SM-DP8X38	8" x 38"	\$694	14#
SM-DP8X44	8" x 44"	\$774	16#
SM-DP8X50	8" x 50"	\$853	18#
SM-DP8X56	8" x 56"	\$1,014	20#
SM-DP8X62	8" x 62"	\$1,230	22#

**CONFIGURABLE OPTIONS**

One rinser faucet	\$437
Two rinser faucets	\$874

**RINSER FAUCET OPTIONS**

MODEL	A	B	NONE	ONE	TWO
SM-DP8X11	11"	5-1/2"	X	-	-
SM-DP8X14	14"	7"	X	-	-
SM-DP8X17	17"	8-1/2"	X	-	-
SM-DP8X20	20"	10"	X	X	-
SM-DP8X23	23"	11-1/2"	X	-	-
SM-DP8X26	26"	13"	X	X	X
SM-DP8X32	32"	16"	X	X	X
SM-DP8X38	38"	19"	X	X	X
SM-DP8X44	44"	22"	X	X	X
SM-DP8X50	50"	25"	X	X	X
SM-DP8X56	56"	28"	-	X	X
SM-DP8X62	62"	31"	-	-	X

**PRODUCT INFORMATION**

(see SM-DP Spec Sheet for complete details)

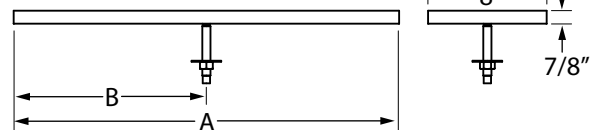
**STANDARD FEATURES**

- All stainless steel
- 20 gauge stainless steel pan with removable perforated inserts
- Drain consists of 1/2" threaded tailpiece that exits from the bottom of the unit

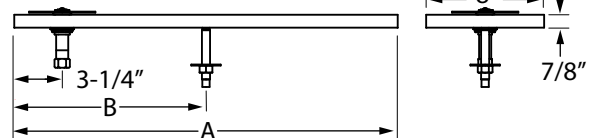
\*NOTE: Surface-Mount Drain Pans are manufactured to order and are not returnable.

**Side Elevations**

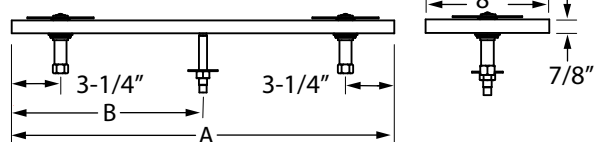
**With no rinser faucet**



**With one rinser faucet**



**With two rinser faucets**



**Rinser Faucet Installation Notes**

- Unit does not provide a 1" air gap.
- Must be installed with external backflow prevention to meet applicable federal, state, and local plumbing code requirements.
- Install in-line water pressure regulator (included).
- A separate shut-off valve is recommended (not included).

Beverage Dispensing



CBT-4-MFR  
(handles not included)

NOTE: To convert standard faucet to stout style faucet, specify accessory model number BT-CFG and add \$270 List per faucet.

\*NOTE: Cobra Towers are manufactured to order and are not returnable.

\*\*NOTE: Brass finish towers provided with mirror finish drain pan and brass finish perforated insert

**COBRA TOWERS WITH DRAIN PAN AND 72" RESTRICTION LINES**

MIRROR FINISH		BRASS FINISH**		FAUCETS	WGT	WIDTH	SYSTEM TYPE
MODEL	LIST	MODEL	LIST				
CBT-1-MF	\$3,643	CBT-1-GF	\$3,594	1	18#	14"	Air Cooled
CBT-1-MFR	\$3,536	CBT-1-GFR	\$3,354	1	18#	14"	Glycol
CBT-2-MF	\$4,306	CBT-2-GF	\$4,915	2	19#	14"	Air Cooled
CBT-2-MFR	\$4,034	CBT-2-GFR	\$4,624	2	19#	14"	Glycol
CBT-3-MF	\$5,882	CBT-3-GF	\$5,784	3	20#	18"	Air Cooled
CBT-3-MFR	\$5,609	CBT-3-GFR	\$5,532	3	20#	18"	Glycol
CBT-4-MF	\$6,506	CBT-4-GF	\$7,391	4	21#	18"	Air Cooled
CBT-4-MFR	\$6,239	CBT-4-GFR	\$6,620	4	21#	18"	Glycol

**PRODUCT INFORMATION** (see CBT Spec Sheet for complete details)

**STANDARD FEATURES**

- Integrated surface mount drain pan with lift-out perforated inserts
- 1/4" shanks with 3/16" restriction lines
- Available in mirror finish or gold finish.
- Available with insulated cold plate assembly for recirculating system
- Mounting hardware for top thickness up to 4" (see Configurable Options for additional top thicknesses)
- All models include all stainless steel faucets and shanks to resist corrosion and prevent metallic leaching, making them ideal for both draft beer and wine applications

- Available with rinsers faucet extension to the left or right of the drain pan. Specify RFE accessory
- Mounting holes will be pre-drilled at the factory if the host cooler is ordered with a finished top and the tower location is specified

**CONFIGURABLE OPTIONS - MOUNTING HARDWARE**

Top thicknesses up to 6"	\$81
Top thicknesses up to 8"	\$224

**RINSER FAUCET EXTENSION**

COBRA tower drain pans can be manufactured with rinsers faucet extensions to the left or right of the drain pan. A rinsers faucet extension will add 5" to the overall length of the drain pan. Add the RFE upcharge when placing your order.

NOTE: Rinsers faucets not intended for use with towers mounted to a refrigerator due to risk of water line freeze up.

Rinsers faucet installation notes:

- Unit does not provide a 1" air gap.
- Must be installed with external backflow prevention to meet applicable federal, state, and local plumbing code requirements.
- Install in-line water pressure regulator (included).
- A separate shut-off valve is recommended (not included).

MODEL	DESCRIPTION	LIST
RFE	Rinsers faucet extension	\$762

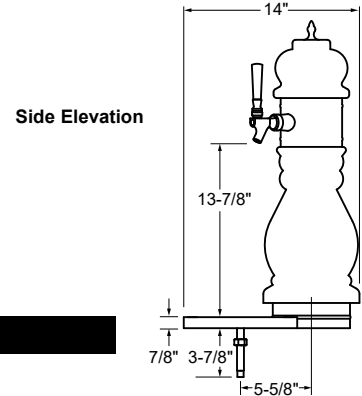
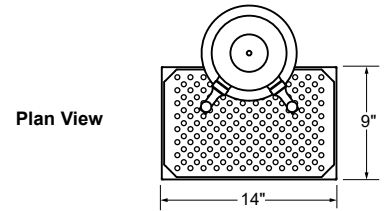




BFT-3-MF  
(handles not included)

NOTE: To convert standard faucet to stout style faucet, specify accessory model number BT-CFG and add \$270 List per faucet.

\*NOTE: Black Forest Towers are manufactured to order and are not returnable.  
\*\*NOTE: Brass finish towers provided with mirror finish drain pan and brass finish perforated insert



**BLACK FOREST TOWERS WITH DRAIN PAN AND 72" RESTRICTION LINES**

MIRROR FINISH		POLISHED BRASS FINISH**		FAUCETS	WGT	WIDTH	SYSTEM TYPE
MODEL	LIST	MODEL	LIST				
BFT-2-MF	\$6,683	BFT-2-PB	\$6,758	2	48#	14"	Air Cooled
BFT-2-MFR	\$6,807	BFT-2-PBR	\$6,881	2	48#	14"	Glycol
BFT-3-MF	\$7,556	BFT-3-PB	\$7,651	3	48#	14"	Air Cooled
BFT-3-MFR	\$7,663	BFT-3-PBR	\$7,758	3	48#	14"	Glycol

**PRODUCT INFORMATION** (see BFT Spec Sheet for complete details)

**STANDARD FEATURES**

- 1/4" stainless steel shanks with 3/16" restriction lines
- All stainless steel faucets
- Surface-mount, stainless steel drain pan with removable, perforated insert

**Configurable Options**

- 2 or 3 faucets
- Mirror or polished brass finish
- Air cooled for direct-draw system or glycol cooled for recirculating system
- Numerous ceramic color finishes; consult factory for details
- Rinser faucet extension to the left or right of the drain pan; specify RFE option

**RINSER FAUCET EXTENSION**

Black forest tower drain pans can be manufactured with rinser faucet extensions to the left or right of the drain pan. A rinser faucet extension will add 5" to the overall length of the drain pan. Add the RFE upcharge when placing your order.

NOTE: Rinser faucets not intended for use with towers mounted to a refrigerator due to risk of water line freeze up.

Rinser faucet installation notes:

- Unit does not provide a 1" air gap.
- Must be installed with external backflow prevention to meet applicable federal, state, and local plumbing code requirements.
- Install in-line water pressure regulator (included).
- A separate shut-off valve is recommended (not included).

MODEL	DESCRIPTION	LIST
RFE	Rinser faucet extension	\$762



Beverage Dispensing

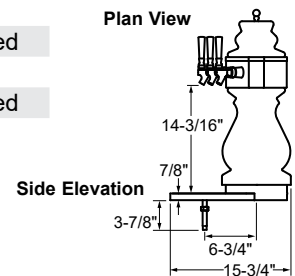
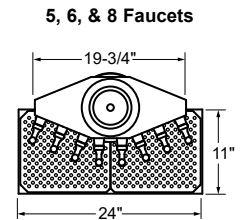
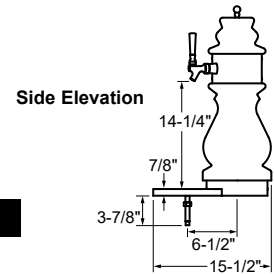
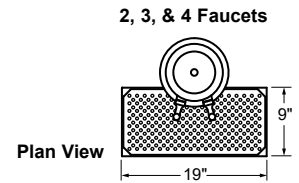


BM-2-MF  
(handles not included)

NOTE: To convert standard faucet to stout style faucet, specify accessory model number BT-CFG and add \$270 List per faucet.

\*NOTE: Braumeister Towers are manufactured to order and are not returnable.

\*\*NOTE: Brass finish towers provided with mirror finish drain pan and brass finish perforated insert



**BRAUMEISTER TOWERS WITH DRAIN PAN AND 72" RESTRICTION LINES**

MIRROR FINISH		POLISHED BRASS FINISH**		FAUCETS	WGT	WIDTH	SYSTEM TYPE
MODEL	LIST	MODEL	LIST				
BM-2-MF	\$6,728	BM-2-PB	\$6,828	2	48#	19"	Air Cooled
BM-2-MFR	\$6,852	BM-2-PBR	\$6,952	2	48#	19"	Glycol
BM-3-MF	\$7,565	BM-3-PB	\$7,665	3	48#	19"	Air Cooled
BM-3-MFR	\$7,672	BM-3-PBR	\$7,772	3	48#	19"	Glycol
BM-4-MF	\$7,833	BM-4-PB	\$7,933	4	48#	19"	Air Cooled
BM-4-MFR	\$8,122	BM-4-PBR	\$8,222	4	48#	19"	Glycol
BM-5-MF	\$10,062	BM-5-PB	\$10,219	5	101#	24"	Air Cooled
BM-5-MFR	\$10,334	BM-5-PBR	\$10,491	5	101#	24"	Glycol
BM-6-MF	\$10,754	BM-6-PB	\$10,912	6	101#	24"	Air Cooled
BM-6-MFR	\$11,041	BM-6-PBR	\$11,199	6	101#	24"	Glycol
BM-8-MF	\$11,973	BM-8-PB	\$12,130	8	101#	24"	Air Cooled
BM-8-MFR	\$12,202	BM-8-PBR	\$12,359	8	101#	24"	Glycol

**PRODUCT INFORMATION** (see BM Spec Sheet for complete details)

**STANDARD FEATURES**

- 1/4" stainless steel shanks with 3/16" restriction lines
- All stainless steel faucets
- Surface-mount, stainless steel drain pan with removable, perforated insert

**Configurable Options**

- 2, 3, 4, 5, 6, or 8 faucets
- Mirror or polished brass finish
- Air cooled for direct-draw system or glycol cooled for recirculating system
- Numerous ceramic color finishes; consult factory for details
- Rinser faucet extension to the left or right of the drain pan; specify RFE option

Beverage Dispensing

**RINSER FAUCET EXTENSION**

Braumeister tower drain pans can be manufactured with rinser faucet extensions to the left or right of the drain pan. A rinser faucet extension will add 5" to the overall length of the drain pan. Add the RFE upcharge when placing your order.

NOTE: Rinser faucets not intended for use with towers mounted to a refrigerator due to risk of water line freeze up.

Rinser faucet installation notes:

- Unit does not provide a 1" air gap.
- Must be installed with external backflow prevention to meet applicable federal, state, and local plumbing code requirements.
- Install in-line water pressure regulator (included).
- A separate shut-off valve is recommended (not included).

MODEL	DESCRIPTION	LIST
RFE	Rinser faucet extension	\$762

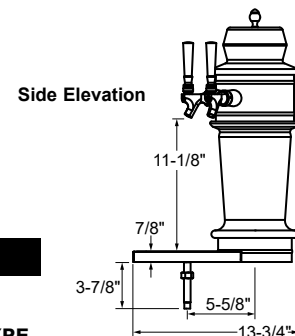
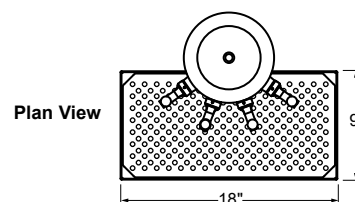




MCT-2-PB  
(handles not included)

NOTE: To convert standard faucet to stout style faucet, specify accessory model number BT-CFG and add \$270 List per faucet.

\*NOTE: Monaco Towers are manufactured to order and are not returnable.  
\*\*NOTE: Brass finish towers provided with mirror finish drain pan and brass finish perforated insert



**MONACO TOWERS WITH DRAIN PAN AND 72" RESTRICTION LINES**

MIRROR FINISH		POLISHED BRASS FINISH**		FAUCETS	WGT	WIDTH	SYSTEM TYPE
MODEL	LIST	MODEL	LIST				
MCT-2-MF	\$6,683	MCT-2-PB	\$6,758	2	48#	18"	Air Cooled
MCT-2-MFR	\$6,807	MCT-2-PBR	\$6,881	2	48#	18"	Glycol
MCT-3-MF	\$7,556	MCT-3-PB	\$7,651	3	48#	18"	Air Cooled
MCT-3-MFR	\$7,663	MCT-3-PBR	\$7,758	3	48#	18"	Glycol
MCT-4-MF	\$7,825	MCT-4-PB	\$7,920	4	48#	18"	Air Cooled
MCT-4-MFR	\$8,113	MCT-4-PBR	\$8,208	4	48#	18"	Glycol

**PRODUCT INFORMATION** (see MCT Spec Sheet for complete details)

**STANDARD FEATURES**

- 1/4" stainless steel shanks with 3/16" restriction lines
- All stainless steel faucets
- Surface-mount, stainless steel drain pan with removable, perforated insert

**Configurable Options**

- 2, 3, or 4 faucets
- Mirror or polished brass finish
- Air cooled for direct-draw system or glycol cooled for recirculating system
- Numerous ceramic color finishes; consult factory for details
- Rinser faucet extension to the left or right of the drain pan; specify RFE option

**RINSER FAUCET EXTENSION**

Monaco tower drain pans can be manufactured with rinser faucet extensions to the left or right of the drain pan. A rinser faucet extension will add 5" to the overall length of the drain pan. Add the RFE upcharge when placing your order.

NOTE: Rinser faucets not intended for use with towers mounted to a refrigerator due to risk of water line freeze up.

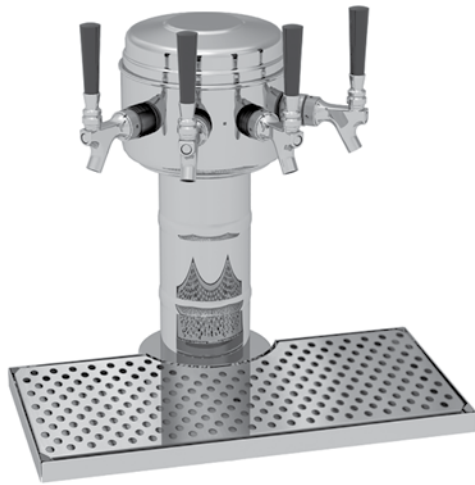
Rinser faucet installation notes:

- Unit does not provide a 1" air gap.
- Must be installed with external backflow prevention to meet applicable federal, state, and local plumbing code requirements.
- Install in-line water pressure regulator (included).
- A separate shut-off valve is recommended (not included).

MODEL	DESCRIPTION	LIST
RFE	Rinser faucet extension	\$762



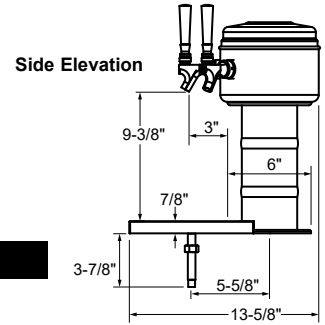
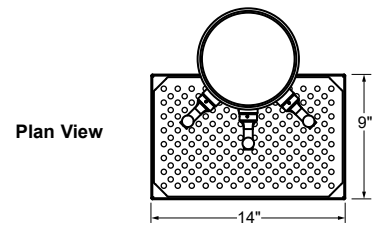
Beverage Dispensing



NOTE: To convert standard faucet to stout style faucet, specify accessory model number BT-CFG and add \$270 List per faucet.

\*NOTE: Mini Mushroom Towers are manufactured to order and are not returnable.  
 \*\*NOTE: Brass finish towers provided with mirror finish drain pan and brass finish perforated insert

MMT-4-MF  
 (handles not included)



## MINI MUSHROOM TOWERS WITH DRAIN PAN AND 72" RESTRICTION LINES

MIRROR FINISH		POLISHED BRASS FINISH**		FAUCETS	WGT	WIDTH	SYSTEM TYPE
MODEL	LIST	MODEL	LIST				
MMT-3-MF	\$5,417	MMT-3-PB	\$5,971	3	26#	14"	Air Cooled
MMT-3-MFR	\$6,361	MMT-3-PBR	\$6,546	3	26#	14"	Glycol
MMT-4-MF	\$5,878	MMT-4-PB	\$6,298	4	26#	14"	Air Cooled
MMT-4-MFR	\$6,216	MMT-4-PBR	\$6,760	4	26#	14"	Glycol
MMT-5-MF	\$6,263	MMT-5-PB	\$6,758	5	26#	14"	Air Cooled
MMT-5-MFR	\$6,679	MMT-5-PBR	\$7,382	5	26#	14"	Glycol

### PRODUCT INFORMATION (see MMT Spec Sheet for complete details)

#### STANDARD FEATURES

- 1/4" stainless steel shanks with 3/16" restriction lines
- All stainless steel faucets
- Surface-mount, stainless steel drain pan with removable, perforated insert

#### Configurable Options

- 3, 4, or 5 faucets
- Mirror or polished brass finish
- Air cooled for direct-draw system or glycol cooled for recirculating system
- Rinser faucet extension to the left or right of the drain pan; specify RFE option

### RINSER FAUCET EXTENSION

Mini Mushroom tower drain pans can be manufactured with rinser faucet extensions to the left or right of the drain pan. A rinser faucet extension will add 5" to the overall length of the drain pan. Add the RFE upcharge when placing your order.

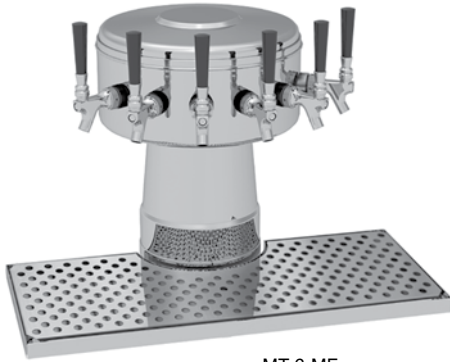
NOTE: Rinser faucets not intended for use with towers mounted to a refrigerator due to risk of water line freeze up.

#### Rinser faucet installation notes:

- Unit does not provide a 1" air gap.
- Must be installed with external backflow prevention to meet applicable federal, state, and local plumbing code requirements.
- Install in-line water pressure regulator (included).
- A separate shut-off valve is recommended (not included).

MODEL	DESCRIPTION	LIST
RFE	Rinser faucet extension	\$762

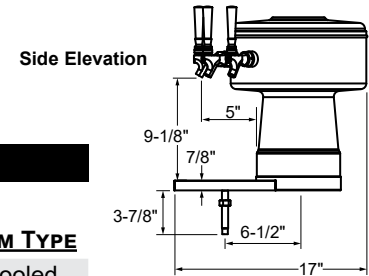
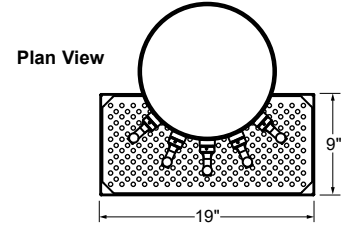




MT-6-MF  
(handles not included)

NOTE: To convert standard faucet to stout style faucet, specify accessory model number BT-CFG and add \$270 List per faucet.

\*NOTE: Mushroom Towers are manufactured to order and are not returnable.  
\*\*NOTE: Brass finish towers provided with mirror finish drain pan and brass finish perforated insert



**MUSHROOM TOWERS WITH DRAIN PAN AND 7/2" RESTRICTION LINES**

MIRROR FINISH		POLISHED BRASS FINISH**		FAUCETS	WGT	WIDTH	SYSTEM TYPE
MODEL	LIST	MODEL	LIST				
MT-4-MF	\$6,495	MT-4-PB	\$7,745	4	37#	19"	Air Cooled
MT-4-MFR	\$6,714	MT-4-PBR	\$7,984	4	37#	19"	Glycol
MT-5-MF	\$6,754	MT-5-PB	\$8,121	5	37#	19"	Air Cooled
MT-5-MFR	\$7,073	MT-5-PBR	\$8,465	5	37#	19"	Glycol
MT-6-MF	\$7,235	MT-6-PB	\$9,028	6	37#	19"	Air Cooled
MT-6-MFR	\$7,658	MT-6-PBR	\$9,480	6	37#	19"	Glycol

**PRODUCT INFORMATION** (see MT Spec Sheet for complete details)

**STANDARD FEATURES**

- 1/4" stainless steel shanks with 3/16" restriction lines
- All stainless steel faucets
- Surface-mount, stainless steel drain pan with removable, perforated insert

**Configurable Options**

- 4, 5, or 6 faucets
- Mirror or polished brass finish
- Air cooled for direct-draw system or glycol cooled for recirculating system
- Rinser faucet extension to the left or right of the drain pan; specify RFE option

**RINSER FAUCET EXTENSION**

Mushroom tower drain pans can be manufactured with rinser faucet extensions to the left or right of the drain pan. A rinser faucet extension will add 5" to the overall length of the drain pan. Add the RFE upcharge when placing your order.

NOTE: Rinser faucets not intended for use with towers mounted to a refrigerator due to risk of water line freeze up.

**Rinser faucet installation notes:**

- Unit does not provide a 1" air gap.
- Must be installed with external backflow prevention to meet applicable federal, state, and local plumbing code requirements.
- Install in-line water pressure regulator (included).
- A separate shut-off valve is recommended (not included).

MODEL	DESCRIPTION	LIST
RFE	Rinser faucet extension	\$762



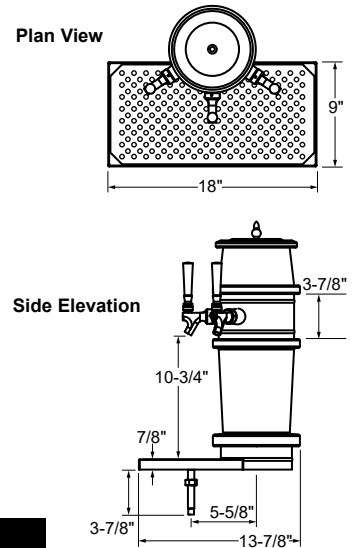
Beverage Dispensing



RBT-3-MF  
(handles not included)

NOTE: To convert standard faucet to stout style faucet, specify accessory model number BT-CFG and add \$270 List per faucet.

\*NOTE: Roman Towers are manufactured to order and are not returnable.  
\*\*NOTE: Brass finish towers provided with mirror finish drain pan and brass finish perforated insert



**ROMAN TOWERS WITH DRAIN PAN AND 72" RESTRICTION LINES**

MIRROR FINISH		POLISHED BRASS FINISH**		FAUCETS	WGT	WIDTH	SYSTEM TYPE
MODEL	LIST	MODEL	LIST				
RBT-2-MF	\$6,683	RBT-2-PB	\$6,758	2	48#	18"	Air Cooled
RBT-2-MFR	\$6,807	RBT-2-PBR	\$6,881	2	48#	18"	Glycol
RBT-3-MF	\$7,556	RBT-3-PB	\$7,651	3	48#	18"	Air Cooled
RBT-3-MFR	\$7,663	RBT-3-PBR	\$7,758	3	48#	18"	Glycol
RBT-4-MF	\$7,825	RBT-4-PB	\$7,920	4	48#	18"	Air Cooled
RBT-4-MFR	\$8,113	RBT-4-PBR	\$8,208	4	48#	18"	Glycol

**PRODUCT INFORMATION** (see RBT Spec Sheet for complete details)

**STANDARD FEATURES**

- 1/4" stainless steel shanks with 3/16" restriction lines
- All stainless steel faucets
- Surface-mount, stainless steel drain pan with removable, perforated insert

**Configurable Options**

- 2, 3, or 4 faucets
- Mirror or polished brass finish
- Air cooled for direct-draw system or glycol cooled for recirculating system
- Numerous ceramic color finishes; consult factory for details
- Rinser faucet extension to the left or right of the drain pan; specify RFE option

**RINSER FAUCET EXTENSION**

Roman tower drain pans can be manufactured with rinser faucet extensions to the left or right of the drain pan. A rinser faucet extension will add 5" to the overall length of the drain pan. Add the RFE upcharge when placing your order.

NOTE: Rinser faucets not intended for use with towers mounted to a refrigerator due to risk of water line freeze up.

**Rinser faucet installation notes:**

- Unit does not provide a 1" air gap.
- Must be installed with external backflow prevention to meet applicable federal, state, and local plumbing code requirements.
- Install in-line water pressure regulator (included).
- A separate shut-off valve is recommended (not included).

MODEL	DESCRIPTION	LIST
RFE	Rinser faucet extension	\$762



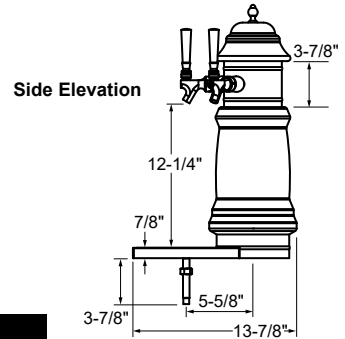
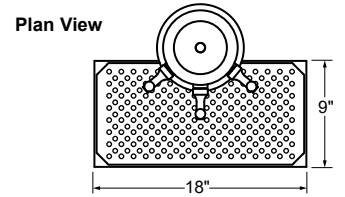
Beverage Dispensing



NOTE: To convert standard faucet to stout style faucet, specify accessory model number BT-CFG and add \$270 List per faucet.

\*NOTE: Rembrandt Towers are manufactured to order and are not returnable.  
 \*\*NOTE: Brass finish towers provided with mirror finish drain pan and brass finish perforated insert

RCT-2-PB  
 (handles not included)



**REMBRANDT TOWERS WITH DRAIN PAN AND 7/2" RESTRICTION LINES**

MIRROR FINISH		POLISHED BRASS FINISH**		FAUCETS	WGT	WIDTH	SYSTEM TYPE
MODEL	LIST	MODEL	LIST				
RCT-2-MF	\$6,683	RCT-2-PB	\$6,758	2	48#	18"	Air Cooled
RCT-2-MFR	\$6,807	RCT-2-PBR	\$6,881	2	48#	18"	Glycol
RCT-3-MF	\$7,556	RCT-3-PB	\$7,651	3	48#	18"	Air Cooled
RCT-3-MFR	\$7,663	RCT-3-PBR	\$7,758	3	48#	18"	Glycol

**PRODUCT INFORMATION** (see RCT Spec Sheet for complete details)

**STANDARD FEATURES**

- 1/4" stainless steel shanks with 3/16" restriction lines
- All stainless steel faucets
- Surface-mount, stainless steel drain pan with removable, perforated insert

**Configurable Options**

- 2 or 3 faucets
- Mirror or polished brass finish
- Air cooled for direct-draw system or glycol cooled for recirculating system
- Numerous ceramic color finishes; consult factory for details
- Rinser faucet extension to the left or right of the drain pan; specify RFE option

**RINSER FAUCET EXTENSION**

Rembrandt tower drain pans can be manufactured with rinser faucet extensions to the left or right of the drain pan. A rinser faucet extension will add 5" to the overall length of the drain pan. Add the RFE upcharge when placing your order.

NOTE: Rinser faucets not intended for use with towers mounted to a refrigerator due to risk of water line freeze up.

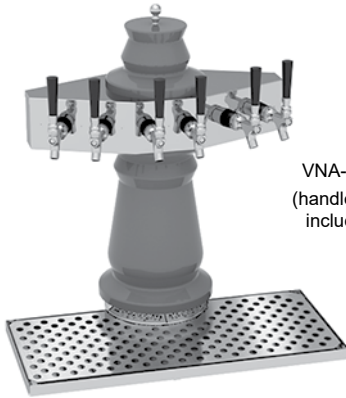
Rinser faucet installation notes:

- Unit does not provide a 1" air gap.
- Must be installed with external backflow prevention to meet applicable federal, state, and local plumbing code requirements.
- Install in-line water pressure regulator (included).
- A separate shut-off valve is recommended (not included).

MODEL	DESCRIPTION	LIST
RFE	Rinser faucet extension	\$762



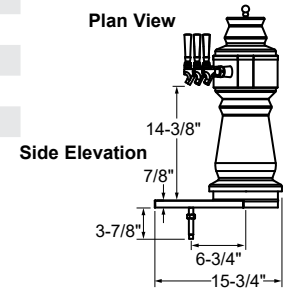
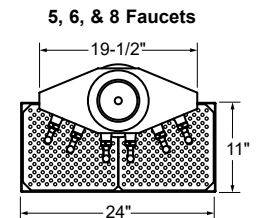
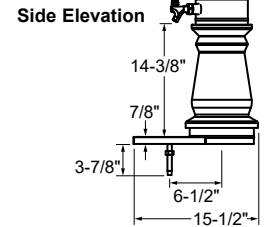
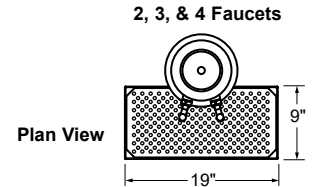
Beverage Dispensing



VNA-6-MF  
(handles not included)

NOTE: To convert standard faucet to stout style faucet, specify accessory model number BT-CFG and add \$270 List per faucet.

\*NOTE: Vienna Towers are manufactured to order and are not returnable.  
\*\*NOTE: Brass finish towers provided with mirror finish drain pan and brass finish perforated insert



**VIENNA TOWERS WITH DRAIN PAN AND 72" RESTRICTION LINES**

MIRROR FINISH		POLISHED BRASS FINISH**		FAUCETS	WGT	WIDTH	SYSTEM TYPE
MODEL	LIST	MODEL	LIST				
VNA-2-MF	\$6,728	VNA-2-PB	\$6,828	2	48#	19"	Air Cooled
VNA-2-MFR	\$6,852	VNA-2-PBR	\$6,952	2	48#	19"	Glycol
VNA-3-MF	\$7,565	VNA-3-PB	\$7,665	3	48#	19"	Air Cooled
VNA-3-MFR	\$7,672	VNA-3-PBR	\$7,772	3	48#	19"	Glycol
VNA-4-MF	\$7,833	VNA-4-PB	\$7,933	4	48#	19"	Air Cooled
VNA-4-MFR	\$8,122	VNA-4-PBR	\$8,222	4	48#	19"	Glycol
VNA-5-MF	\$10,062	VNA-5-PB	\$10,219	5	101#	24"	Air Cooled
VNA-5-MFR	\$10,334	VNA-5-PBR	\$10,491	5	101#	24"	Glycol
VNA-6-MF	\$10,754	VNA-6-PB	\$10,912	6	101#	24"	Air Cooled
VNA-6-MFR	\$11,041	VNA-6-PBR	\$11,199	6	101#	24"	Glycol
VNA-8-MF	\$11,973	VNA-8-PB	\$12,130	8	101#	24"	Air Cooled
VNA-8-MFR	\$12,202	VNA-8-PBR	\$12,359	8	101#	24"	Glycol

**PRODUCT INFORMATION** (see VNA Spec Sheet for complete details)

**STANDARD FEATURES**

- 1/4" stainless steel shanks with 3/16" restriction lines
- All stainless steel faucets
- Surface-mount, stainless steel drain pan with removable, perforated insert

**Configurable Options**

- 2, 3, 4, 5, 6, or 8 faucets
- Mirror or polished brass finish
- Air cooled for direct-draw system or glycol cooled for recirculating system
- Numerous ceramic color finishes; consult factory for details
- Rinser faucet extension to the left or right of the drain pan; specify RFE option

**RINSER FAUCET EXTENSION**

Vienna tower drain pans can be manufactured with rinser faucet extensions to the left or right of the drain pan. A rinser faucet extension will add 5" to the overall length of the drain pan. Add the RFE upcharge when placing your order.

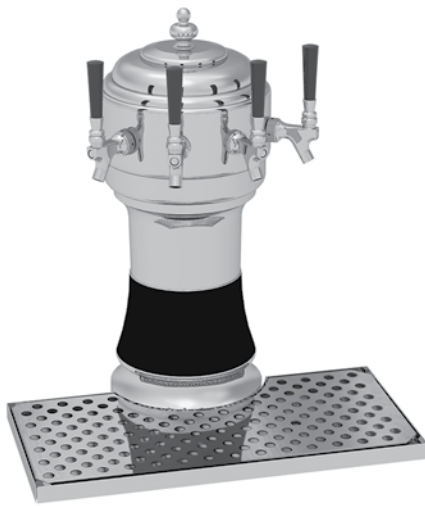
NOTE: Rinser faucets not intended for use with towers mounted to a refrigerator due to risk of water line freeze up.

**Rinser faucet installation notes:**

- Unit does not provide a 1" air gap.
- Must be installed with external backflow prevention to meet applicable federal, state, and local plumbing code requirements.
- Install in-line water pressure regulator (included).
- A separate shut-off valve is recommended (not included).

MODEL	DESCRIPTION	LIST
RFE	Rinser faucet extension	\$762



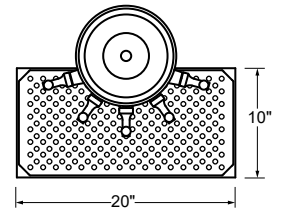


ZT-4-PB  
(handles not included)

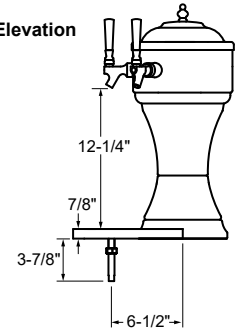
NOTE: To convert standard faucet to stout style faucet, specify accessory model number BT-CFG and add \$270 List per faucet.

\*NOTE: Zeus Towers are manufactured to order and are not returnable.  
\*\*NOTE: Brass finish towers provided with mirror finish drain pan and brass finish perforated insert

Plan View



Side Elevation



**ZEUS TOWERS WITH DRAIN PAN AND 72" RESTRICTION LINES**

MIRROR FINISH		POLISHED BRASS FINISH**		FAUCETS	WGT	WIDTH	SYSTEM TYPE
MODEL	LIST	MODEL	LIST				
ZT-3-MF	\$6,530	ZT-3-PB	\$6,646	3	48#	20"	Air Cooled
ZT-3-MFR	\$6,575	ZT-3-PBR	\$6,691	3	48#	20"	Glycol
ZT-4-MF	\$6,688	ZT-4-PB	\$6,804	4	48#	20"	Air Cooled
ZT-4-MFR	\$7,021	ZT-4-PBR	\$7,137	4	48#	20"	Glycol
ZT-5-MF	\$6,927	ZT-5-PB	\$7,042	5	101#	20"	Air Cooled
ZT-5-MFR	\$7,420	ZT-5-PBR	\$7,536	5	101#	20"	Glycol

**PRODUCT INFORMATION** (see ZT Spec Sheet for complete details)

**STANDARD FEATURES**

- 1/4" stainless steel shanks with 3/16" restriction lines
- All stainless steel faucets
- Surface-mount, stainless steel drain pan with removable, perforated insert

**Configurable Options**

- 3, 4, or 5 faucets
- Mirror or polished brass finish
- Air cooled for direct-draw system or glycol cooled for recirculating system
- Black, white, or green ceramic base color finishes
- Rinser faucet extension to the left or right of the drain pan; specify RFE option

**RINSER FAUCET EXTENSION**

Zeus tower drain pans can be manufactured with rinser faucet extensions to the left or right of the drain pan. A rinser faucet extension will add 5" to the overall length of the drain pan. Add the RFE upcharge when placing your order.

NOTE: Rinser faucets not intended for use with towers mounted to a refrigerator due to risk of water line freeze up.

Rinser faucet installation notes:

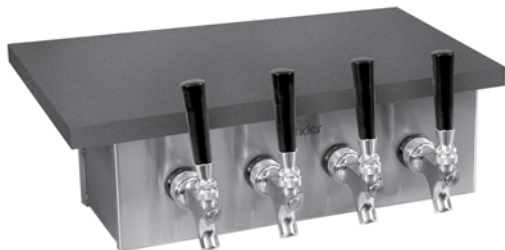
- Unit does not provide a 1" air gap.
- Must be installed with external backflow prevention to meet applicable federal, state, and local plumbing code requirements.
- Install in-line water pressure regulator (included).
- A separate shut-off valve is recommended (not included).

MODEL	DESCRIPTION	LIST
RFE	Rinser faucet extension	\$762



Beverage Dispensing

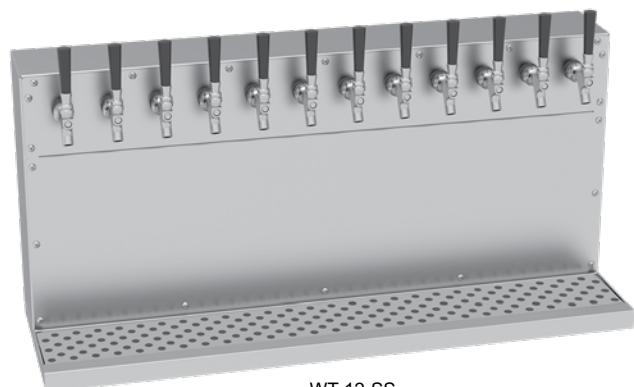
**NOTE:** To convert standard faucet to stout style faucet, specify accessory model number BT-CFG and add \$270 List per faucet.



UC-4-SSR  
Shown attached to bar  
(Handles not included)



UC-5-SSR  
Shown installed under bar top  
with BDB-18 beer drainer



WT-12-SS  
(handles not included)

## PRODUCT INFORMATION

(see UC Spec Sheet for complete details)

**STANDARD FEATURES:** All stainless steel construction • 1/4" shanks with 3/16" restriction lines • Includes cold plate assembly and insulated restriction lines for glycol recirculating system • Includes all stainless steel faucets and shanks to resist corrosion and prevent metallic leaching, making them ideal for both draft beer and wine applications

### NOTES:

1. Installation of the undercounter tower requires a minimum bar top overhang of 7".
2. Undercounter towers do not include a drain pan. Glastender offers a free-standing underbar beer drainer. See model numbers BDA or BDB for the main line (page 47) or C-BD for the Choice line (page 67).
3. The beverage and glycol lines exit the bottom of the tower and are rigid, so the undercounter tower must be installed prior to installing the beer drainer. The 8, 10, and 12 faucet models have two sets of lines exiting the bottom of the tower.

## STAINLESS STEEL UNDERCOUNTER TOWERS

MODEL	LIST	# OF FAUCETS	WT	WIDTH
UC-4-SSR	\$2,621	4	28#	14"
UC-5-SSR	\$2,948	5	30#	17"
UC-6-SSR	\$3,333	6	35#	20"
UC-8-SSR	\$4,635	8	50#	26"
UC-10-SSR	\$5,293	10	65#	32"
UC-12-SSR	\$6,059	12	80#	38"

## PRODUCT INFORMATION

(see WT Spec Sheet for complete details)

**STANDARD FEATURES:** All stainless steel construction • Integrated drain pan with lift-out perforated inserts • 1/4" shanks with 3/16" restriction lines • Available with cold plate assembly and insulated restriction lines for glycol recirculating system (specify suffix 'R' in the model number) • Built-in wall mounting bracket • Removable front cover for access to shanks • Includes all stainless steel faucets and shanks to resist corrosion and prevent metallic leaching, making them ideal for both draft beer and wine applications

## STAINLESS STEEL WALL MOUNT TOWERS

MODEL	LIST	# OF FAUCETS	WT	WIDTH
WT-4-SS	\$2,505	4	23#	14"
WT-4-SSR	\$3,151	4	31#	14"
WT-5-SS	\$2,878	5	27#	17"
WT-5-SSR	\$3,479	5	36#	17"
WT-6-SS	\$3,250	6	31#	20"
WT-6-SSR	\$3,860	6	41#	20"
WT-8-SS	\$4,017	8	39#	26"
WT-8-SSR	\$4,968	8	51#	26"
WT-10-SS	\$4,638	10	57#	32"
WT-10-SSR	\$5,642	10	71#	32"
WT-12-SS	\$5,257	12	65#	38"
WT-12-SSR	\$6,402	12	81#	38"

\*NOTE: Undercounter and Wall Mount Towers are manufactured to order and are not returnable



WB-6-N  
(handles not included)

**NOTE:** To convert standard faucet to stout style faucet, specify accessory model number BT-CFG and add \$270 List per faucet.

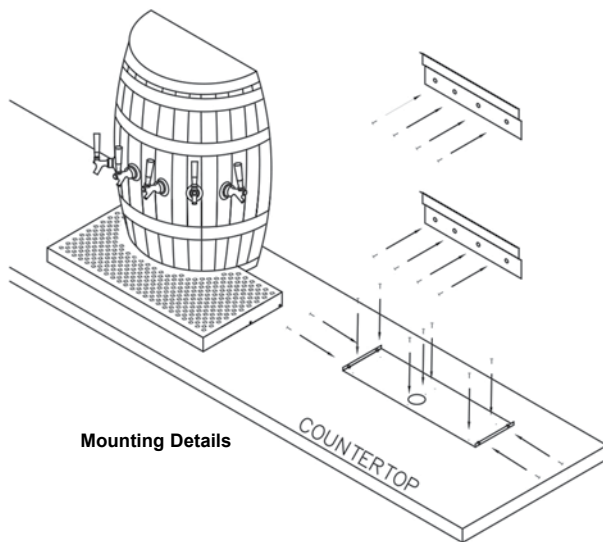
## PRODUCT INFORMATION

(see WB Spec Sheet for complete details)

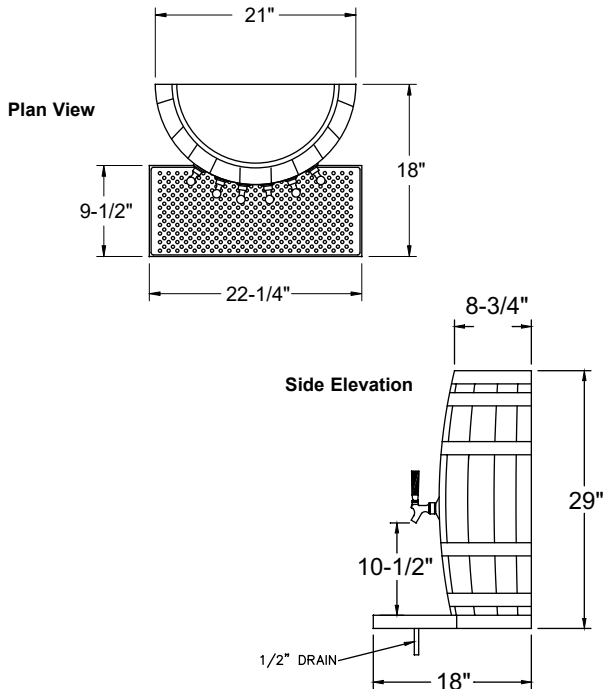
### STANDARD FEATURES

- Oak wood barrel construction
- Includes separate 300 series stainless steel surface mount drain pan with lift-out perforated inserts
- 1/4" shanks with 3/16" restriction lines
- Available in flat black or natural unfinished
- Available with cold plate assembly and insulated restriction lines for glycol recirculating system (specify suffix 'R' in the model number)
- Available in three through six faucet models
- Includes wall mounting brackets
- All stainless steel faucets and shanks to resist corrosion and prevent metallic leaching, making them ideal for both draft beer and wine applications

\*NOTE: Wood Barrel Towers are manufactured to order and are not returnable



Mounting Details



### WOOD BARREL TOWERS WITH DRAIN PAN AND 72" RESTRICTION LINES

FLAT BLACK	LIST	NATURAL WOOD	LIST	# OF FAUCETS	WGT
WB-3-B	\$3,748	WB-3-N	\$3,748	3	85#
WB-3-BR	\$4,628	WB-3-NR	\$4,628	3	85#
WB-4-B	\$4,032	WB-4-N	\$4,032	4	90#
WB-4-BR	\$5,005	WB-4-NR	\$5,005	4	90#
WB-5-B	\$4,350	WB-5-N	\$4,350	5	95#
WB-5-BR	\$5,415	WB-5-NR	\$5,415	5	95#
WB-6-B	\$4,633	WB-6-N	\$4,633	6	100#
WB-6-BR	\$5,798	WB-6-NR	\$5,798	6	100#

Beverage Dispensing

All faucets are certified low lead compliant

## PRODUCT INFORMATION

(see WH, WH-S, WDH, & WH-ESD Spec Sheets for complete details)



WH-12



WHS-12



WH-14 with optional wrist handles



WHS-14

### 12" WIDE

MODEL	LIST	WGT
WH-12*	\$1,173	22#
WH-12-LF* (less faucet)	\$778	20#

### 12" WIDE WITH SKIRT

MODEL	LIST	WGT
WHS-12*	\$1,461	27#
WHS-12-LF* (less faucet)	\$1,065	25#

### 14" WIDE

MODEL	LIST	WGT
WH-14*	\$1,125	22#
WH-14-LF* (less faucet)	\$772	20#

### 14" WIDE WITH SKIRT

MODEL	LIST	WGT
WHS-14*	\$1,400	27#
WHS-14-LF* (less faucet)	\$1,047	25#

\*NOTE: These items are manufactured to order and are not returnable

### 12" WITH INTEGRATED SIDE SPLASHES

MODEL	LIST	WGT
WH-12-S*	\$1,714	27#
WH-12-S-LF* (less faucet)	\$1,319	25#

### 12" WITH INTEGRATED SIDE SPLASHES & SKIRT

MODEL	LIST	WGT
WHS-12-S*	\$1,996	33#
WHS-12-S-LF* (less faucet)	\$1,601	31#



WDH-14



WH-14-ESD



WH-14-S



WHS-14-S

### 14" WIDE WITH SOAP & PAPER TOWEL DISPENSERS

MODEL	LIST	WGT
WDH-14	\$2,019	37#
WDH-14-LF (less faucet)	\$1,666	35#

### 14" EXTENDED SPLASH W/ SOAP & TOWEL DISPENSER

MODEL	LIST	WGT
WH-14-ESD*	\$1,810	37#
WH-14-ESD-LF* (less faucet)	\$1,458	35#

### 14" WITH INTEGRATED SIDE SPLASHES

MODEL	LIST	WGT
WH-14-S	\$1,642	27#
WH-14-S-LF (less faucet)	\$1,289	25#

### 14" WITH INTEGRATED SIDE SPLASHES & SKIRT

MODEL	LIST	WGT
WHS-14-S	\$1,938	33#
WHS-14-S-LF (less faucet)	\$1,585	31#



Optional foot-operated faucets  
 FOF-B FOF-D  
 • WH-12 • WH-14  
 • WHS-12 • WHS-14  
 • WH-12-S • WH-14-S  
 • WHS-12-S • WHS-14-S  
 • WDH-14  
 • WH-14-ESD

### CONFIGURABLE OPTIONS

MODEL	DESCRIPTION	LIST	WGT
LS15	15" deep left side splash	\$189	1#
RS15	15" deep right side splash	\$189	1#
FOF-B	Convert to foot-operated backsplash faucet for WH-12, WH-12-S, and WHS-12-S models	\$697	3#
FOF-D	Convert to foot-operated deck faucet for WH-14, WHS-14, WH-14-S, WHS-14-S, WDH-14 and WH-14-ESD models	\$532	3#

### ACCESSORIES

MODEL	DESCRIPTION	LIST	WGT
03000512	P-trap, 17 ga. chrome plated steel	\$107	2#
03000511	Wrist handles (set of two)	\$59	2#
03000483	Wet waste sink strainer	\$70	1#
TD-C	Paper towel dispenser, C-fold	\$338	5#

**WARNING:** The plastic wet waste strainer included with this product can expose you to chemicals including Bisphenol A (BPA), which is known to the State of California to cause birth defects or other reproductive harm. For more information, go to [www.P65Warnings.ca.gov](http://www.P65Warnings.ca.gov).  
**Warning applies to State of California only.** Part #03000483

Kitchen Fabrication & Refrigeration

All faucets are certified low lead compliant



DI-HS12



DI-HS14

**DROP-IN HAND SINKS**

MODEL	LIST	LENGTH	DEPTH	WGT	FAUCET
DI-HS12	\$925	12"	17"	18#	Yes
DI-HS12-LF	\$620	12"	17"	15#	No
DI-HS14	\$925	14"	15"	18#	Yes
DI-HS14-LF	\$620	14"	15"	15#	No

**PRODUCT INFORMATION**

(see DI-HS, DI-I, and DI-IB Spec Sheets for complete details)

**STANDARD FEATURES:** All stainless steel construction • Includes four 1/4-20 x 1-1/2" studs for mounting to countertop • DI-IB24 and DI-IB30 feature special angle brackets, U-channels, and mounting bolts for easy installation)

**SINK FEATURES:** 9-1/4" by 11-1/2" by 6" deep sink bowl • Includes 1-1/2" IPS drain fitting

**ICE BIN FEATURES:** PVC plastic breaker strip around ice bin liner: creates 5/16" raised edge around liner (NSF® requirement is 3/16"), acts as thermal barrier to prevent heat transfer, and makes the cover slide easier • Sliding stainless steel cover • Foamed-in-place insulation • Galvanized steel exterior wrap • 24" and 30" models available with 10 circuit cold plate • Models without cold plates have a 1-1/2" welded tailpiece - no drain fitting to break or come loose • 10-1/2" deep liner • Manufactured with total welded construction to meet all NSF® standards

**⚠ WARNING:** The plastic wet waste strainer included with this product can expose you to chemicals including Bisphenol A (BPA), which is known to the State of California to cause birth defects or other reproductive harm. For more information, go to [www.P65Warnings.ca.gov](http://www.P65Warnings.ca.gov). Part #03000483  
**Warning applies to State of California only.**



DI-IS24



DI-IW24

**DROP-IN ICE AND SINK UNITS**

MODEL	LIST	L	D	WGT	FAUCET
DI-IS24	\$2,612	24"	19"	55#	Yes
DI-IS24-LF	\$2,259	24"	19"	52#	No

**DROP-IN ICE AND WATER STATION UNITS**

MODEL	LIST	L	D	WGT	FAUCET
DI-IW24	\$2,850	24"	19"	55#	Yes
DI-IW24-LF	\$2,387	24"	19"	52#	No



DI-IB24-CP10



DI-IB18

**DROP-IN ICE BINS**

MODEL	LIST	LENGTH	DEPTH	COLD PLATE	WGT	ICE CAPACITY
DI-IB12	\$1,889	14"	19"	No	50#	33#
DI-IB18	\$2,113	20"	19"	No	60#	50#
DI-IB24	\$2,432	26"	19"	No	70#	71#
DI-IB30	\$2,688	32"	19"	No	80#	89#
DI-IB24-CP10	\$4,583	26"	19"	Yes	140#	71#
DI-IB30-CP10	\$4,850	32"	19"	Yes	150#	89#

**ACCESSORIES**

MODEL	DESCRIPTION	LIST	WGT
03000512	P-trap, 17 ga. chrome plated steel	\$107	2#
03000511	Wrist handles (set of two)	\$59	2#
03000483	Wet waste sink strainer	\$70	1#

**Counter Cut-Out Dimensions**

DI-IB12 = 17-1/2" by 12-1/2"  
 DI-IB18 = 17-1/2" by 18-1/2"  
 DI-IB24 = 17-1/2" by 24-1/2"  
 DI-IB30 = 17-1/2" by 30-1/2"  
 All other models, reference spec sheet

Kitchen Fabrication & Refrigeration



**PRODUCT INFORMATION**

(see LC Spec Sheet for complete details)

**STANDARD FEATURES:**

- Self-contained forced air refrigeration system for uniform cooling of product
- Automatic condensate evaporator
- Digital thermostat with automatic defrost
- All stainless steel interior construction
- Stainless steel foamed-in-place insulated door and lettuce chute
- Stainless exterior construction with galvanized back and bottom
- Removable plastic lettuce bin and divider included
- Removable condenser air inlet filter for easy cleaning
- Bracket for wall mounting
- 4" adjustable legs available
- Nine-foot grounded cord & plug provided
- Listed to NSF standard 7 for open food as a storage refrigerator

**CAPACITY:** Approx. 50 heads of lettuce (shredded)

**ELECTRICAL:** 120V, 1 phase, 60Hz, 2.5 full load amps. Dedicated 15 amp circuit is required.

**REFRIGERATION:** 1/8 HP, R290 refrigerant, 1,023 BTU/hr heat rejection

**PLUMBING:** Automatic condensate evaporator. No drain connection required.



LC-BIN lettuce bin with LC-BDIV bin divider

**LETTUCE CRISPER**

MODEL	DESCRIPTION	LIST	WGT
LC	24" Lettuce Crisper with plastic bin, stainless bin divider, & wall-mounting bracket	\$7,021	185#

**ACCESSORIES**

MODEL	DESCRIPTION	LIST	WGT
LC-BIN	Plastic lettuce bin (additional)	\$398	15#
LC-BDIV	Lettuce bin divider, stainless steel (additional)	\$127	5#
LCLS	4" legs with adjustable flanged feet	\$297	5#
CE-220/50S	Convert self-contained unit to 220V/50Hz electrical	\$307	N/A

Kitchen Fabrication & Refrigeration



CM24XS-RR

\*NOTE: Countertop Merchandisers are manufactured to order and are not returnable

**PRODUCT INFORMATION**

(see CM Spec Sheet for complete details)

**STANDARD FEATURES:** Self-contained forced air refrigeration system for uniform cooling of product • Automatic condensate evaporator • Digital thermostat with automatic defrost • All stainless steel interior construction • Stainless steel exterior construction with galvanized steel bottom • Removable condenser air inlet filter for easy cleaning • Nine-foot grounded cord & plug provided • Available with stainless steel door or glass door with stainless steel frame • Two adjustable coated shelves • Interior LED light included • Listed to NSF standard 7 for open food as a storage refrigerator

**CAPACITY:** 4.7 cu. ft.

**ELECTRICAL:** 120V, 1 phase, 60Hz, 2.5 full load amps. Dedicated 15 amp circuit is required

**REFRIGERATION:** 1/8 HP, R290 refrigerant

**PLUMBING:** Automatic condensate evaporator. No drain connection required.

**COUNTERTOP MERCHANDISER**

Standard List = \$7,533

Weight = 190#

CM24 -

**Door Style:**

SS = Stainless Front and Back Door

SX = Stainless Front and Glass Back Door - Add \$560

XS = Glass Front and Stainless Back Door - Add \$560

XX = Glass Front and Glass Back Door - Add \$1,120

**Rear Door Hinge Location:**

L = Left or R = Right

**Front Door Hinge Location:**

L = Left or R = Right

**ACCESSORIES**

MODEL	DESCRIPTION	LIST	WGT
LCLS	4" legs with adjustable flanged feet	\$297	5#
CE-220/50S	Convert self-contained unit to 220V/50Hz electrical	\$307	N/A

Wall-Mount Refrigerators



WMR24S-R

**PRODUCT INFORMATION**

(see WMR Spec Sheet for complete details)

**STANDARD FEATURES:** Self-contained forced air refrigeration system for uniform cooling of product • Automatic condensate evaporator • Digital thermostat with automatic defrost • All stainless steel interior construction • Stainless exterior construction with galvanized back and bottom • Available with stainless steel door or glass door with stainless steel frame • Two adjustable coated shelves • Removable condenser air inlet filter for easy cleaning • Bracket for wall mounting • Nine-foot grounded cord & plug provided • Interior LED light included • Listed to NSF standard 7 for open food as a storage refrigerator

**CAPACITY:** 3.9 cu. ft.

**ELECTRICAL:** 120V, 1 phase, 60Hz, 2.5 full load amps. Dedicated 15 amp circuit is required.

**REFRIGERATION:** 1/8 HP, R290 refrigerant

**PLUMBING:** Automatic condensate evaporator. No drain connection required.

**WALL-MOUNT REFRIGERATORS**

MODEL	LIST	DOOR STYLES	HINGE	WGT
WMR24S-L	\$6,536	Stainless	Left	165#
WMR24S-R	\$6,536	Stainless	Right	165#
WMR24X-L	\$7,100	Glass	Left	165#
WMR24X-R	\$7,100	Glass	Right	165#

**ACCESSORIES**

MODEL	DESCRIPTION	LIST	WGT
LCLS	4" legs with adjustable flanged feet	\$297	5#
CE-220/50S	Convert self-contained unit to 220V/50Hz electrical	\$307	N/A

Kitchen Fabrication & Refrigeration

## PRODUCT INFORMATION

(see DI-FR Spec Sheet for complete details)

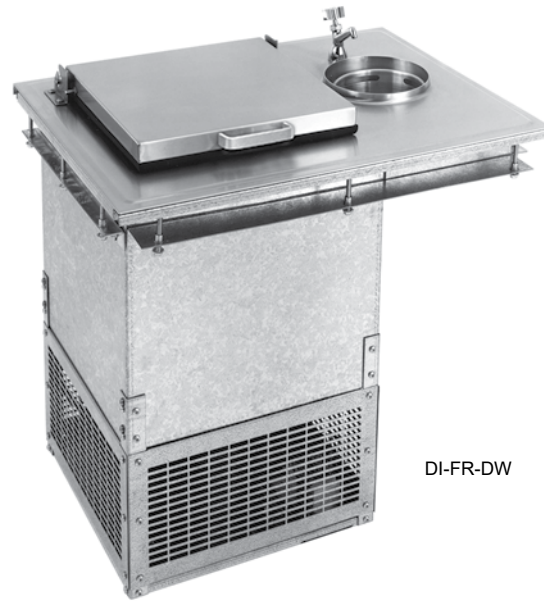
**STANDARD FEATURES:** Stainless steel work surface, interior liner, and lid with galvanized steel exterior wrap • Foamed-in-place insulation • Available with built-in seamless welded 6" diameter draining dipper well and faucet • Eight-foot grounded cord and plug provided • Available sizes for one or two 3-gallon container capacity • Includes special angle brackets, U-channels, and mounting bolts for easy installation

### CAPACITY:

- DI-FR models - one 3-gallon container of ice cream
- DI-FR36 models - two 3-gallon containers of ice cream

**ELECTRICAL:** 120V, 1 phase, 60 Hz, 3.5 full load amps. Dedicated 15 amp circuit is recommended. Includes 8-foot grounded cord and plug.

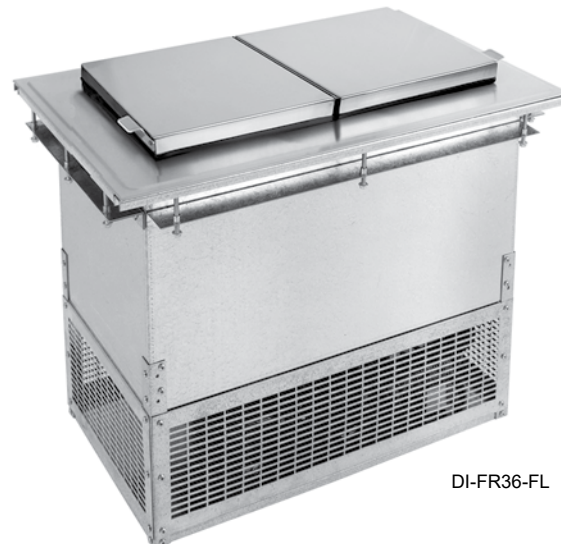
**REFRIGERATION:** Operating range -5°F to 10°F, 1/4 HP, 0.06 Ton, R290 100g (3.53 oz) refrigerant



DI-FR-DW



DI-FR36



DI-FR36-FL

## DROP-IN ICE CREAM FREEZERS

MODEL	LIST	DIPPER WELL	WGT
DI-FR	\$4,463	No	115#
DI-FR-DW	\$5,417	Yes	120#
DI-FR36	\$5,421	No	135#
DI-FR36-DW*	\$6,374	Yes	150#

## DROP-IN ICE CREAM FREEZERS WITH FLIP LID

MODEL	LIST	DIPPER WELL	WGT
DI-FR36-FL	\$5,549	No	135#
DI-FR36-DW-FL*	\$6,505	Yes	150#

\*NOTE: These items are manufactured to order and are not returnable

## ACCESSORIES

MODEL	DESCRIPTION	LIST
CE-220/50S	Convert self-contained unit to 220V/50Hz electrical	\$307



MIB-36



MIB-36-H



MIB-36-ED

**30" HIGH MOBILE ICE BATHS**

MODEL	LENGTH	LIST	WGT
MIB-36	36"	\$5,164	170#
MIB-48	48"	\$5,756	205#

**36" HIGH MOBILE ICE BATHS**

MODEL	LENGTH	LIST	WGT
MIB-36-H	36"	\$5,276	180#
MIB-48-H	48"	\$6,020	215#

**36" HIGH EXTRA DEEP MOBILE ICE BATHS**

MODEL	LENGTH	LIST	WGT
MIB-36-ED	36"	\$5,616	200#
MIB-48-ED	48"	\$6,269	235#

**MOBILE ICE BIN ACCESSORIES**

MODEL	DESCRIPTION	LIST	WGT
TR	Towel Ring	\$25	1#
BO/CC-M	Bottle opener and cap catcher	\$107	3#



TR

Standard mounting for towel rings is server side left. Standard mounting for bottle opener/cap catcher is server side right. Please specify when ordering if you would like these items mounted in a different location.

**PRODUCT INFORMATION**

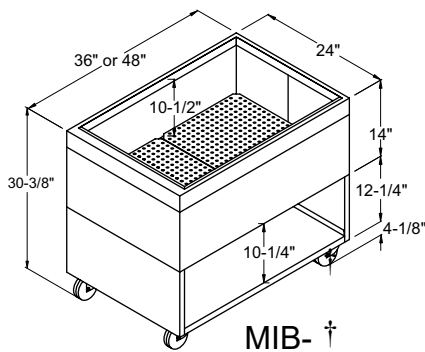
(see MIB Spec Sheet for complete details)

**STANDARD FEATURES**

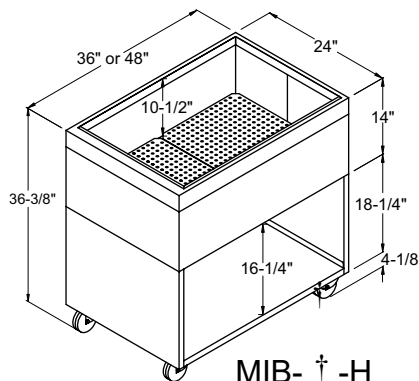
- Designed for iced product storage and merchandising, especially long neck bottled beer
- Foamed-in-place insulated cabinet and PVC breaker strip around liner prevents exterior condensation
- Heavy duty construction with attractive black vinyl-clad exterior that resists scratching
- Stainless steel top, liner, and perforated drain pan inserts with 1/4" radius interior corners for easy cleaning
- Built-in storage area below ice bin. Stainless steel floor has 1/4" radius corners for easy cleaning.
- No plumbing required. Includes a flexible drain line with on/off valve for draining when most convenient.
- The standard models have a 30-3/8" work height
- The '-H' models feature a taller cabinet base and a 36-38" work height
- The '-ED' models feature an extra deep bath and a 36-3/8" work height
- Standard and -H models liner depth 10-1/2"
- -ED model liner depth 16-1/2"
- All models available in lengths of 36" or 48"
- Optional towel ring and bottle opener/cap catcher available
- Flexible drain line with on/off valve
- 4-1/8" rubberized casters, with two locking casters on server side

\*NOTE: Mobile Ice Baths are manufactured to order and are not returnable

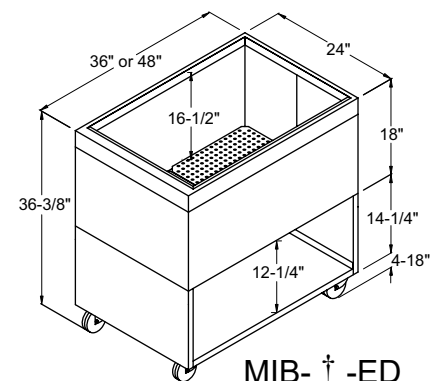
† 36 = 36", 48 = 48"



MIB-†



MIB-†-H



MIB-†-ED

Kitchen Fabrication & Refrigeration



The IB-14x22 as a food pan holder (pan not included)



The IB-14x22 as a portable ice display unit

\*NOTE: The IB-14x22 is manufactured to order and is not returnable

**PRODUCT INFORMATION**

(see IB-14x22 Spec Sheet for complete details)

**STANDARD FEATURES**

The IB-14x22 is an all stainless steel, foam-in-place insulated, portable ice bin that sits on a countertop • The exterior dimensions are 14" by 22" by 10" high and the interior liner opening is sized to hold one food pan • The IB-14x22 also works well as a countertop ice display unit and does not need to be used with a steam table pan • Since the IB-14x22 is portable, it does not have a drain

**ICE PAN HOLDER\***

MODEL	LIST	WEIGHT
IB-14x22	\$1,821	35#



IBM-18x30 with undershelf



IBM-18x30 with enclosed base

\*NOTE: Mobile Ice Bins are manufactured to order and are not returnable

**PRODUCT INFORMATION**

(see IBM Spec Sheet for complete details)

**STANDARD FEATURES**

The IBM-18x30 is an all stainless steel, foam-in-place insulated, mobile ice bin that is 18" by 30" by 30" high • The interior liner is 10-1/2" deep • A drain valve is provided for draining melted ice water • The IBM-18x30 works well as an ice bath for bottled beer or wine • Available with undershelf or enclosed base

**MOBILE ICE BIN\***

MODEL	LIST	WEIGHT
IBM-18x30	\$3,755	100#

**CONFIGURABLE OPTIONS**

Option	Price
Undershelf	No charge
Enclosed base	\$252

Wall Cabinets\*



WCH48



WCH36

**WALL CABINETS**

OPEN FRONT	LIST	HINGED DOORS	LIST	LENGTH	WGT
WCO24	\$2,059	WCH24	\$3,316	24"	100#
WCO30	\$2,204	WCH30	\$3,537	30"	120#
WCO36	\$2,318	WCH36	\$3,741	36"	140#
WCO42	\$2,434	WCH42	\$3,937	42"	160#
WCO48	\$2,549	WCH48	\$4,133	48"	180#
WCO60	\$4,407	WCH60	\$7,073	60"	220#
WCO72	\$4,638	WCH72	\$7,480	72"	250#
WCO96	\$5,099	WCH96	\$8,266	96"	310#

**PRODUCT INFORMATION**

(see WC Spec Sheet for complete details)

**STANDARD FEATURES:** Includes intermediate shelf • Includes wall-mounting bracket • Available with open front or with hinged doors • Door models include door locks and positive latch catch • Door models 24" - 48" have 2 doors, 60" - 96" have 4 doors • Sloping top creates sanitary surface • Four door models ship as two units and include hardware for field assembly

\*NOTE: Wall Cabinets are manufactured to order and are not returnable

# Index

## A

Add-on cabinet bases .....32  
All-in-one stations..... 45-46

## B

Back bar  
Coolers..... (see Coolers)  
Dry storage ..... 129-130  
Glass storage.....131  
Liquor display.....131  
Backsplash, glasswasher .....3  
Bar die, modular.....48, 80  
Bar, Portable..... 13-14  
Bar Profile Coolers ..... (see Coolers)  
Beer / Beverage  
Accessories for cooler .....92  
Cooler ..... (see Coolers)  
Drainer, underbar.....47, 77  
Line chiller ..... 133-134  
Towers ..... 135-143, 145-156  
Blender stations  
Bolt-on blender shelves.....24, 65  
Drainboard.....23  
Fillerboard.....66  
Island Oasis® stand.....42, 77  
Rinser faucet.....23  
Sink.....23, 50, 65  
Sink and rinsing faucet.....23  
Bolt-on blender shelves.....24, 65  
Bottle  
Coolers..... (see Coolers)  
Opener and Cap Catcher.....123, 162  
Racks .....21, 60  
Wells .....21, 60  
Bottle Disintegration System ..... 1-2

## C

Cabinets  
Add-on base.....32  
Back bar, dry storage..... 129-130  
Drainboard..... 30-31, 71  
Dry waste.....56  
POS.....32, 54, 76  
Underbar..... 30-32, 71, 73  
Wall.....163  
Cap Catcher and Bottle Opener .....123, 162  
Casino Style Combo Ice Bin.....18  
CHOICE by Glastender Underbar ..... 59-80  
Clip-on  
Chemical rail (glasswasher) .....6  
Dry waste (cocktail station).....12  
Dry waste rail .....43, 78  
Garnish dispenser (cocktail station).....12  
Shelf divider .....81, 83, 85, 87, 89, 97,  
.....99, 101, 107, 109, 111, 113  
Speed rails .....22  
Cocktail Prep Cooler..... (see Coolers)  
Cocktail Prep Station .....53  
Cocktail stations.(see All-in-one stations and  
..... Pass-thru cocktail stations)  
Combo Ice Bins.....17, 61  
Compartment Sinks.....35, 75  
Condensing unit storage cabinet.....132  
Countertop Merchandiser.....160  
Cooler miscellaneous.....132  
Coolers .....81-91, 93-124  
Bar profile.....81-91, 93-96, 107-110,  
.....115-116, 119-120  
Cocktail prep .....106  
Countertop merchandiser .....160  
Draft beverage compatible .....81-91  
Drawers .....81-84, 87-90, 101-102,  
.....115-116, 119-122  
Front serviced.....81-84, 91, 93-94,

.....97-98, 107-108, 111-112, 115-118  
Frosters (chillers) Reach-in ..... 115-122  
Frosters Slide top.....124  
High Profile ..... 103-105  
Keg .....91  
Lettuce crisper.....159  
Low profile.....97-102, 111-114,  
.....117-118, 121-122  
Mug froster, reach-in..... 115-122  
Mug froster, slide top .....124  
One zone.....81-82, 85-88,  
.....93-104, 107-122  
Pass-thru .....107-114  
Remote.....85-86, 95-96, 99-100,  
.....109-110, 113-114  
Shallow depth.....93-96  
Side serviced.....87-90, 101-102, 119-122  
Slide top .....123  
Two zone .....83-84, 89-90, 105  
Wall mount refrigerator .....160  
Wine shelves, pull-out .....81-90, 97-105  
Corner drainboards.....27-28, 51-52, 68-69  
Countertop Merchandiser.....160  
Covers  
Back bar liquor display, locking.....131  
Speed rails, locking .....22, 79

## D

Craft Ice, Mobile Freezer .....44  
Direct draw beverage towers and acc .....92  
Double speed rails.....22, 79  
Drain pans, drop-in .....40  
Drain pans, surface-mount .....144  
Draft beverage compatible coolers .....  
..... (see Coolers)  
Drainboards  
Blender stations .....23  
Cabinets .....30-31, 54, 71  
Corners .....27-28, 51-52, 68-69  
Glassracks.....29, 53, 54, 70  
Half cabinets.....31  
Recessed .....26, 66  
Underbar .....25, 53, 54, 67  
Drainers, beer .....47, 77  
Drawer inserts for fractional stainless pans ...  
.....87, 101, 115, 119, 121  
Drawers, cooler ..... (see Coolers)  
Drink Rails .....40  
Drop-in .....38  
Mixology, drop-in.....38  
Drop-in  
Drain pans.....40  
Drink rails.....38  
Hand sinks .....158  
Ice and sink units.....158  
Ice and water stations .....158  
Ice bins .....158  
Ice cream freezers.....161  
Mixology drink rails.....38  
Mixology wells.....38  
Rinser faucets .....39  
Dry storage cabinets..... 129-130  
Dry waste  
Cabinet.....56  
Chutes .....34, 43, 78  
Clip-on, receptacle for pass-thru.....12  
Rail .....35, 43, 78  
Receptacle .....43, 57, 73, 78

## E

ELEVATION by Glastender..... 49-58, 106  
Equipment Stands  
Blender stations .....23-24, 50, 65  
Island Oasis .....42, 77  
Margarita Machine .....131  
POS cabinet .....32, 54, 76

## F

Fillerboards (see also Drainboards)  
Blender station.....65  
Corner.....69  
Drainboard cabinets.....30 (see note)-31  
Underbar.....25 (see note), 66  
Four compartment sinks.....35, 58, 75  
Freezer, ice cream .....44  
Drop-in, ice cream .....161  
Mobile, craft ice .....44  
Mobile, ice cream .....44  
Front serviced coolers ..... (see Coolers)  
Frosters (chillers) ..... (see Coolers)  
Fusion Sink .....34, 57  
Fusion Tool Rinsing .....50

## G

Garnish dispenser  
Clip-on.....12  
Stand alone .....16, 17, 18, 60, 61, 62  
Garnish drawer insert.....81, 87, 101  
Glass ice display units.....125  
Glass storage, back bar .....131  
Glassracks  
Drainboard.....29, 53, 54, 70  
Holders (glasswasher) .....6  
Racks .....6  
Underbar, open .....29, 53, 70  
Glasswashers  
High Temp .....4  
Rotary .....3, 5-6

## H

Half cabinets, drainboard .....31  
Hand sinks  
Drop-in .....158  
Underbar .....33-34, 57, 72  
Wall-mount .....157  
High Profile Coolers ..... (see Coolers)

## I

Ice and sink units, drop-in.....158  
Ice and water stations, drop-in .....158  
Ice baths, mobile .....162  
Ice bins  
Casino Style Combo .....18  
Combo .....17, 61  
Dividers .....12, 16, 17, 60, 61, 62  
Drop-in .....158  
Extra deep.....15, 17, 60, 61  
Ice and sink units.....158  
Ice and water stations .....158  
Mobile .....163  
Pass thru .....16, 62  
Specialty .....163  
Tubing chase.....16, 17, 45  
Underbar .....15, 17, 18, 49, 59, 60, 61  
Ice-chilled cocktail prep station .....53  
Ice cream freezer  
Drop-in .....161  
Mobile .....44  
Underbar .....44  
Ice display units .....126  
Ice pan holder.....163  
Island Oasis® stand .....42, 77

**J**  
 Jockey box ..... (see Ice bins)

**K**  
 Keg coolers ..... (see Coolers)  
 Kitchen Fabrication & Refrigeration .. 157-163

**L**  
 Lettuce crisper.....159  
 Lighted liquor displays ..... 127-128  
 Line chiller  
     Beer ..... 133-134  
     Stands .....134  
     Wall racks .....134  
 Liquor displays  
     Back bar.....131  
     Lighted..... 127-128  
 Liquor Steps.....41, 55, 76  
 Locking covers  
     Back bar liquor display.....131  
     Speed rail.....22, 79  
 Low profile coolers ..... (see Coolers)  
 Low profile dry storage cabinets.....129

**M**  
 Margarita Machine Stand.....131  
 Mixology  
     Bottle racks.....21  
     Drink rails, drop-in .....38  
     Stations .....37  
     Units .....36, 74  
     Wells, drop-in .....38  
 Mobile ice bath .....162  
 Mobile ice bin .....163  
 Mobile freezers .....44  
 Modular bar die.....48, 80  
 Modular beverage stations .....42  
 Mug frosters (chillers)..... (see Coolers)  
 Multiple bowl sinks.....35, 58, 75

**O**  
 One zone coolers..... (see Coolers)  
 Overshelves, cocktail stations.....12

**P**  
 POS cabinet stand .....32, 54, 76  
 Paper towel dispenser, sink .....33, 34,  
     .....57, 72, 157  
 Pass-thru cocktail stations ..... 7-12  
     Assembly ..... 9-10  
     Complete ..... 11  
     Disassembly.....10  
 Pass-thru coolers ..... (see Coolers)  
 Pass-thru ice bins .....16, 62  
 Portable bars..... 13-14  
 Power pack, beer..... 133-134  
 Pull-Out Wine Shelves..... (see Coolers)

**R**  
 Reach-in mug froster..... 115-122  
 Recessed drainboards.....26, 66  
 Refrigerated Wine Drawers..... (see Coolers)  
 Register stand, underbar, POS .....32, 54, 76  
 Regulators .....92  
 Remote coolers..... (see Coolers)  
 Rinser faucet  
     Blender station.....23  
     Drop-in .....39  
     Mixology stations .....37  
     Mixology units .....36, 74  
     Undercounter mount.....39  
     Stand alone .....39  
 Rinser faucet extension (beer tower) . 135-143,  
     .....145-154  
 Rotary Wine Shelf.....81, 83, 107

**S**  
 Shallow depth coolers ..... (see Coolers)  
 Shelf divider, clip-on.....81, 83, 85, 87, 89,  
     .....97, 99, 101, 107, 109, 111, 113  
 Shelf retention rail.....81, 83, 85, 87, 101  
 Shelves  
     Pull-Out..... See Pull-Out Wine Shelves  
 Side serviced coolers.....(See Coolers)  
 Side splash .....24, 65, 66, 67, 70, 71, 72, 73,  
     .....74, 75, 157  
 Single speed rails .....22, 79  
 Sinks  
     Blender station.....23, 50, 65  
     Covers.....35, 75  
     Cabinets .....34, 73  
     Compartment .....35, 58, 75  
     Drop-in .....158  
     Fusion .....34, 57  
     Hand ..... 33-34, 57, 72  
     Single bowl ..... 33-34, 72  
     Towel ring.....34, 35, 65, 72, 73, 75  
     Wall-mount .....157  
     Waste .....57  
     Wet waste.....33, 34, 72  
     Wet waste strainer... 23, 33, 34, 35, 36, 65,  
         .....72, 73, 75, 157, 158  
 Slide top coolers..... (see Coolers)  
 Slide top mug frosters ..... (see Coolers)  
 Slim Jim trash receptacle .....43, 78  
 Sneeze guard .....12  
 Soap dispenser, liquid .....34, 72  
 Soda gun holders.....19, 63  
 Soda gun holder, undercounter mount .20, 64  
 Soda manifold housings.....20, 64  
 Spec sheets .....specs.glastender.com  
 Specialty ice bins .....163  
 Speed rails  
     Clip-on.....22  
     Double .....22, 79  
     Locking covers .....22, 79  
     Single.....22, 79  
 Stemware Rack .....6  
 Surface-Mount Drain Pan ..... 144

**T**  
 Three compartment sinks .....35, 58, 75  
 Tool Rinsing, Fusion .....50  
 Towel ring .....24, 34, 35, 45, 46, 65,  
     .....72, 73, 75, 162  
 Towers, beer  
     Black Forest.....146  
     Braumeister .....147  
     Bridge .....137  
     Cobra .....145  
     Column .....135  
     Double-sided .....138  
     Mini Mushroom.....149  
     Monaco .....148  
     Mushroom .....150  
     Pipe Bridge .....139  
     Pipe Cantilever .....140  
     Pipe Pass-Thru.....141  
     Pipe Tee .....142  
     Pipe Wall .....143  
     Rembrandt .....152  
     Rinse faucet extension . 135-143, 145-154  
     Roman .....151  
     Tee .....136  
     Undercounter .....155  
     Vienna .....153  
     Wall mount .....155  
     Wood barrel .....156  
     Zeus .....154  
 Trash receptacle  
     Gray plastic.....34, 43, 56, 57, 72, 73  
     Slim Jim.....43, 56, 78  
     Stainless steel .....34, 43, 72, 73  
 Tubing chase  
     Accessory, drainboard .....25  
     All-in-one .....45  
     Ice bin .....16, 17  
     Underbar .....47, 64  
 Two compartment sinks .....35, 58, 75  
 Two zone cooler ..... (see Coolers)

**U**  
 Under cabinet (Add-on cabinet base) .....32  
 Underbar - Choice by Glastender ..... 59-80  
 Underbar compartment sinks .....35, 58, 75  
 Underbar - Elevation by Glastender .... 49-58  
 Underbar ice cream freezer .....44  
 Undercounter mount soda gun holder .20, 64  
 Undercounter mount rinser faucet .....39

**W**  
 Wall Cabinet.....163  
 Wall-Mount Hand Sinks.....157  
 Wall-Mount Refrigerators .....160  
 Waste sink, Elevation.....57  
 Wet waste  
     Sinks .....33, 34, 72  
     Strainer ..... 23, 33, 34, 36, 65,  
         .....72, 73, 74, 157, 158  
 Wine accessories for cooler .....92  
 Wine rack shelves .....81, 83, 85, 87, 89,  
     .....97, 99, 101, 107, 109, 111, 113  
 Wine storage  
     Refrigerated drawers ..... (see Coolers)  
     Wine shelves, pull-out ..... (see Coolers)  
     Rotary shelf .....81, 83, 107  
 Work Center, Elevation.....49  
 Wrist Handles.....34, 72, 73, 157, 158

# Warranty

## **APPLICABLE TO ALL PRODUCTS SOLD WITHIN THE UNITED STATES AND CANADA**

Glastender, Inc. warrants all products to be free of defects in material and workmanship.

### **All Glasswashers and BDS models**

One-year parts and labor warranty. Warranty is effective for one year from the date of installation or up to 18 months from date of factory shipment, whichever occurs sooner.

### **All Self-Contained Refrigeration Models**

Two-year parts and labor warranty. Warranty is effective for two years from the date of installation or up to 30 months from date of factory shipment, whichever occurs sooner.

Authorization for labor must be obtained from Glastender within the warranty period and prior to the service being performed.

Labor warranty applies to the 50 states of the USA and Canada only.

Remote refrigeration models exclude the labor warranty for issues related to the field installation and test of the completed refrigeration system, provided by others.

Field replacement parts not covered under the original warranty include a 90-day part warranty from the date of installation.

### **EXTENDED PARTS & LABOR WARRANTY**

Glastender's two-year parts and labor warranty on self-contained refrigeration models can be extended by one year with the purchase of an extended parts and labor warranty. Specify option number EWR3 (\$325 net price) when ordering.

### **FIVE YEAR COMPRESSOR PART WARRANTY**

Glastender warrants the compressor for all self-contained refrigeration models for five years, running concurrently with the parts and labor warranty. After the parts and labor warranty expires, only the compressor is covered; no labor is covered.

A completed warranty claim form **MUST** accompany all returned defective parts or assemblies. Upon request, a defective part or assembly must be returned to Glastender, Inc., Saginaw, Michigan, with all transportation and delivery charges prepaid. Warranty repairs or replacements will be shipped FOB factory in Saginaw, Michigan. Reimbursement for applicable freight charges covers ground service only.

Glastender provides in-warranty repairs during a service company's regular working days and hours. There is no provision for payment of a premium rate during "overtime" hours. When warranty service is requested during other than normal working hours, the end user will be charged the premium portion of the overtime rate.

The warranty covers substantiated travel expenses for up to 2 hours / 100 miles round trip up to a maximum of \$225. Any additional costs due to installations that require extra work, time, or travel to gain access for service are the sole responsibility of the equipment purchaser. Any exceptions to these travel and access limitations must be pre-approved by a factory representative. The warranty does not cover door gaskets, chemical tubing, pump squeeze tubing, and/or any equipment subjected to accidents, freight damage, alterations from the original design, improper power and/or plumbing hookups, improper chemical use, general misuse, or lack of routine required maintenance as determined by Glastender, Inc. Installation, normal control adjustments, general maintenance, correcting an installation error, or service calls that reveal the unit is functioning normally will not be reimbursed under warranty.

Condenser coils on self-contained refrigeration products must be cleaned regularly. Failure to provide adequate air flow to a refrigeration unit will void the warranty.

Glastender shall not be liable for loss of use, revenue, or profit, or for any other indirect, incidental, special, or consequential damage including, but not limited to, product spoilage or loss.

This warranty is conditioned upon Glastender receiving notice of any defect subject to this warranty within sixty (60) days of its discovery by the end user or dealer. All products are warranted only for the initial place of installation. Removal of a product automatically terminates this warranty.

**EXPORT WARRANTY** - One year parts only.

### **EXCLUSION OF WARRANTIES**

EXCEPT AS PROVIDED ABOVE, GLASTENDER MAKES NO WARRANTIES, EXPRESS OR IMPLIED, INCLUDING, BUT NOT LIMITED TO, ANY IMPLIED WARRANTY OF MERCHANTABILITY, FITNESS FOR A PARTICULAR PURPOSE OR NON-INFRINGEMENT.

### **LIMITATION OF REMEDIES AND DAMAGES**

If Buyer makes a valid and timely claim as outlined above, Glastender's liability and Buyer's remedies under this agreement will be limited solely to labor charges authorized and/or replacement or credit, at Glastender's option, with respect to Products returned at Buyer's expense within thirty (30) days after warranty repair. GLASTENDER'S LIABILITY WILL IN NO EVENT BE GREATER IN AMOUNT THAN THE PURCHASE PRICE OF THE RETURNED PRODUCTS. GLASTENDER WILL NOT BE LIABLE UNDER ANY CIRCUMSTANCE FOR CONSEQUENTIAL OR INCIDENTAL DAMAGES, INCLUDING, BUT NOT LIMITED TO, LABOR COSTS EXCEPT AS COVERED UNDER OUR WARRANTY, LOST PROFITS OR THE LOSS OF PERISHABLE PRODUCTS RESULTING FROM THE USE OF OR INABILITY TO USE OUR PRODUCTS OR FROM OUR PRODUCTS' INCORPORATION INTO OR BECOMING A COMPONENT OF ANY OTHER PRODUCT. NEITHER PARTY WILL HAVE ANY NEGLIGENCE OR OTHER TORT LIABILITY TO THE OTHER, OR TO ANY THIRD PARTY, ARISING FROM ANY BREACH OF THIS AGREEMENT.

### **GOVERNING LAW - JURISDICTION**

The terms and conditions of an order are to be governed and construed according to the laws of the State of Michigan, without regard to conflict of laws principles. Buyer hereby consents to the jurisdiction and venue of the courts located in Saginaw County, Michigan.

No representative, distributor, dealer, or any other person is authorized to modify this warranty. This warranty replaces all other written or verbal warranties.

NOTE: Glastender, Inc.'s policy of constant quality improvement means that prices, specifications, and policies are subject to change without notice. Questions regarding this warranty should be directed to Glastender's Warranty Administrator.

06-01-25

### **IMPORTANT!!**

#### **Attention Service Companies**

Please review the important warranty information on this page. If you believe a service call should be covered by the factory, please call the factory for authorization between 8AM and 5PM EST, Monday through Friday.

# Glastender®

Expect More. More Flexibility. More Features.



## *Do you have the Proper Pour Advantage?*

Whether you're serving beer, coffee, wine, or cocktails on draft – expect more with Glastender's high-yield beverage dispensing systems. Scan the code to view more on our beverage dispensing solutions, including products, and spec sheets.



[info@glastender.com](mailto:info@glastender.com) | 800.748.0423 | [glastender.com](http://glastender.com)

20240103